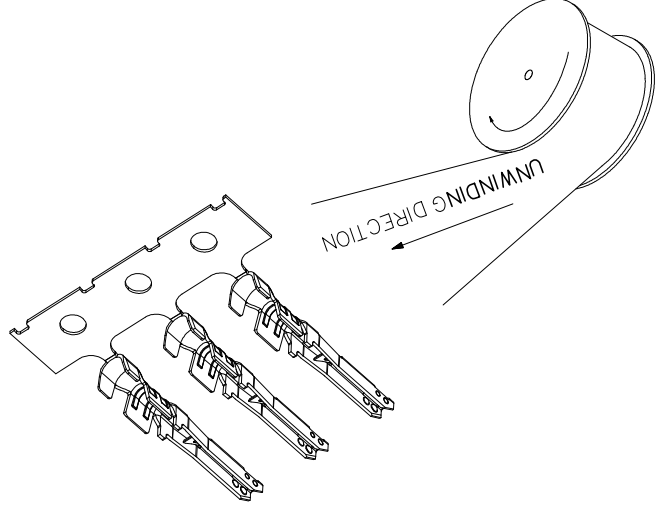
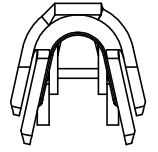
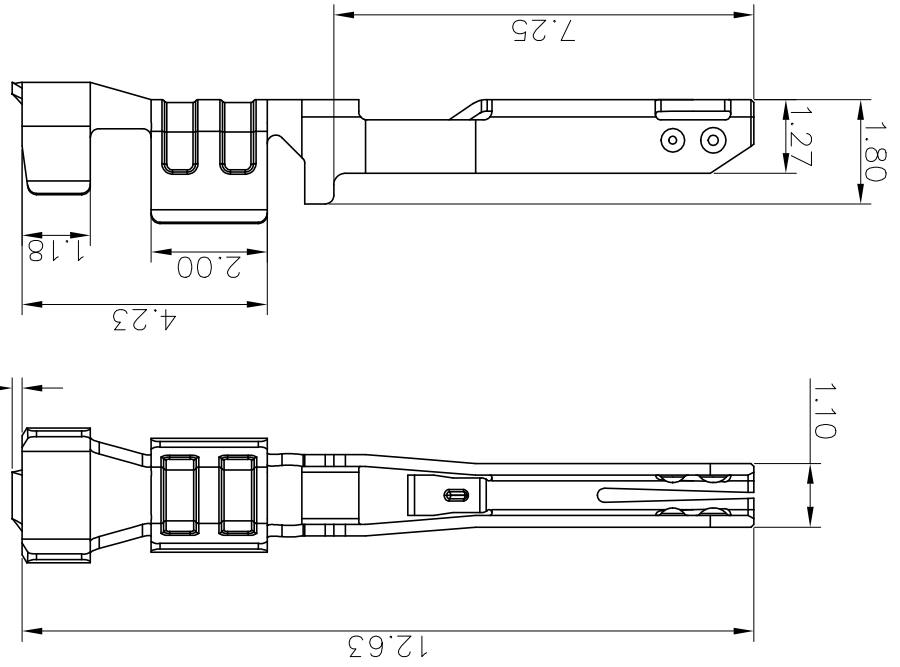




Notes:  
 1. MATERIAL: HIGH CONDUCTIVITY COPPER ALLOY  
 2. PLATING FINISHED:  
 CONTACT/SOLDER AREA: SEE PART NUMBER SCHEME  
 UNDER PLATING NICKEL 50"MIN;  
 3. PRODUCT SPEC: GS-12-1456  
 4. PACKAGING SPEC: GS-14-2610  
 5. USE WITH AFCI HOUSING 10146579, 10146580  
 6. PART NUMBER SCHEME:  
 10146583- X X LF

LEAD FREE  
 CRIMP HEIGHT  
 1: LOW TYPE(24/26 AWG)  
 2: HIGH TYPE(20/22 AWG)  
 CONTACT/SOLDER AREA PLATING  
 0: 100" BRIGHT TIN MIN OVER ALL.  
 1: 150" GOLD ON CONTACT AREA,  
 100" BRIGHT TIN MIN OVER ALL.  
 2: 300" GOLD ON CONTACT AREA,  
 100" BRIGHT TIN MIN OVER ALL.

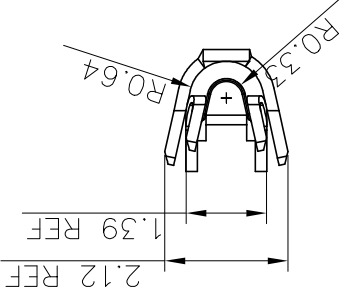
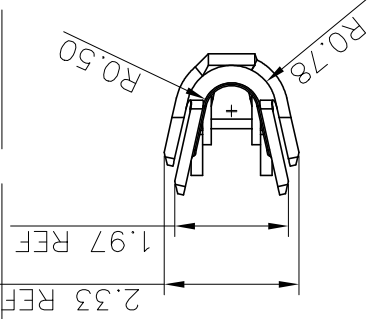
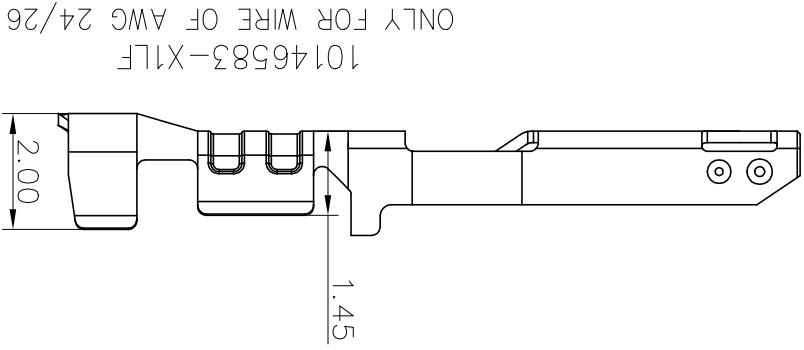
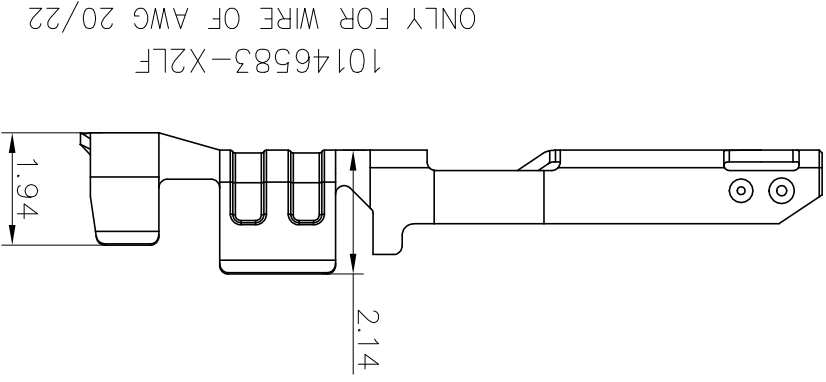


mat'l. code		ISO 1302	ISO 406	ISO 1101	projection	product family	MinitekPWR
litr	ecn no	dr	date	tolerances unless otherwise specified	angle	linear	0±.25
					0±.2°	linear	.000±.15
					scale	1:1	
sheet	revision	A	A	dr	TONY LENG	2017-11-22	
index	sheet	1	2	eng	TONY LENG	2017-11-22	
				chr	ZK HU	2017-11-22	
				appd	TIM YAO	2017-11-22	
type		Product Customer Drawing		dwg no		sheet 1 of 2 size	
				10146583		A3	

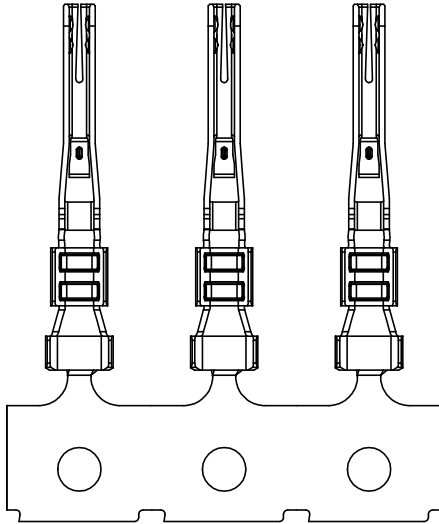
PDS: Rev: A

STATUS:Released Printed: May 10, 2018

mat'l. code		ISO 1302	ISO 406	ISO 1101	projection	product family	product family
litr ecn no dr date		tolerances unless otherwise specified			title	MiniTekPWR	
angles	linear	angular	linear	angular	linear	2.5mm Crimp Terminal	
0±.2°	.004, .25	0±.35	.004, .25	0±.2°	.004, .15	scale 1:1	
dr	TONY LENG	2017-11-22	eng	TONY LENG	2017-11-22	dwg no	sheet 2 of 2 size
chr	ZK HU	2017-11-22	chr	ZK HU	2017-11-22	10146583	
appd	TIM YAO	2017-11-22	appd	TIM YAO	2017-11-22	type Product Customer Drawing	
sheet revision	A	A	index sheet	1	2		



(SCALE 2:1)



6

5

4

3

2

1

D

C

B

A

6

5

4

23

1

D

## X-ON Electronics

Largest Supplier of Electrical and Electronic Components

*Click to view similar products for [Power to the Board](#) category:*

*Click to view products by [Amphenol](#) manufacturer:*

Other Similar products are found below :

[10131318-08512GRLF](#) [6450171-4](#) [6450552-7](#) [6600323-8](#) [6643429-1](#) [6646040-2](#) [6651939-1](#) [6766604-1](#) [120959-1](#) [1393557-2](#) [1393532-2](#)  
[1393532-3](#) [1393532-4](#) [1393557-1](#) [1600812-5](#) [1-6450861-2](#) [1645595-1](#) [1743490-1](#) [1744132-7](#) [1761122-1](#) [1766169-1](#) [1766250-1](#) [18362](#)  
[1892109-1](#) [1-967627-6](#) [2226808-1](#) [2-6450860-5](#) [2-6450860-6](#) [2-6450870-0](#) [93003-0502](#) [953552-1](#) [1-6450161-4](#) [1-6450850-6](#) [1645526-2](#) [1-](#)  
[6600130-0](#) [1743419-1](#) [1766150-1](#) [2005243-2](#) [211110-1](#) [2-6600130-2](#) [TE34-12-16P-F0](#) [51700-10201602AALF](#) [5-6450830-6](#) [5646956-4](#)  
[36662-0005](#) [40585-3000](#) [4-6450830-9](#) [4-6600333-3](#) [51142-0214](#) [10125416-4050LF](#)