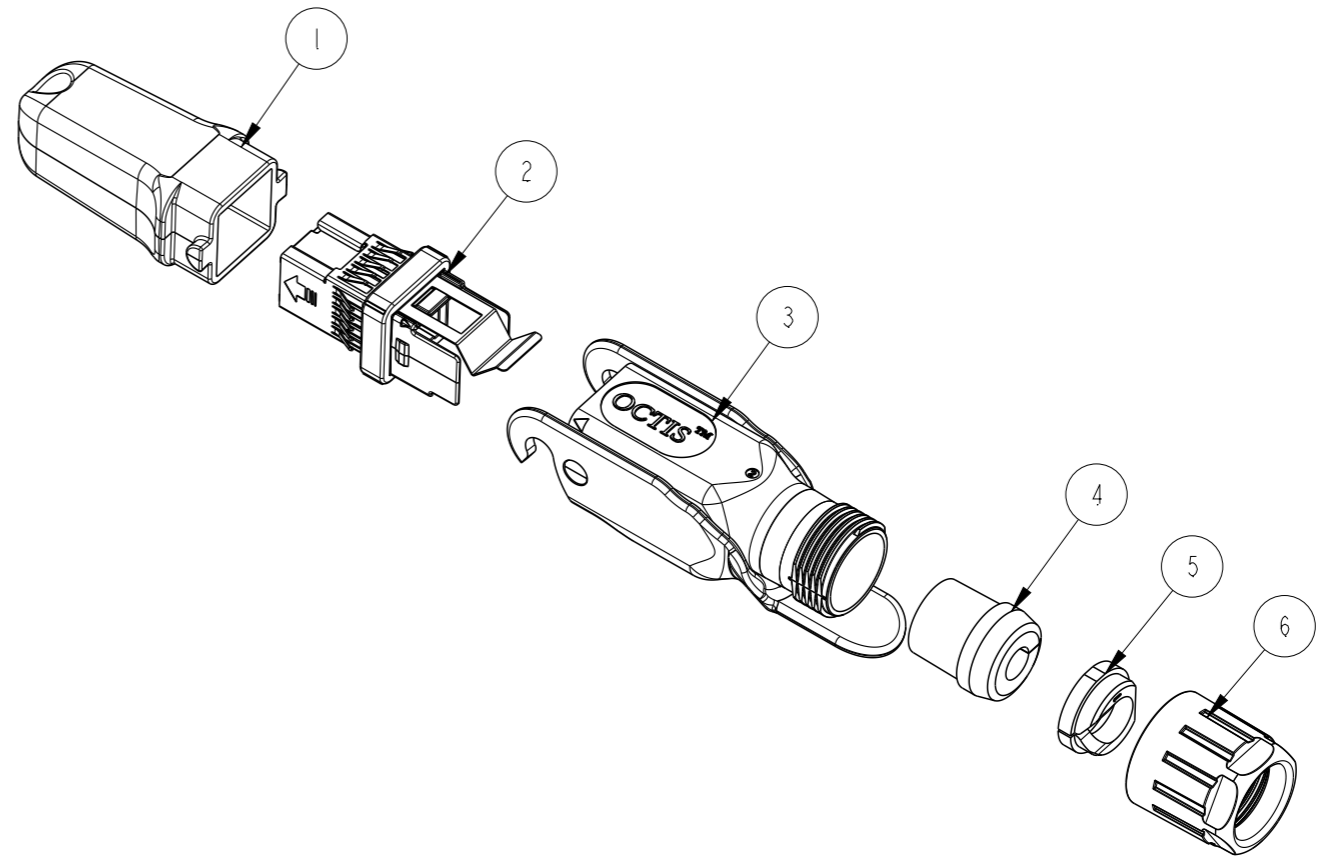
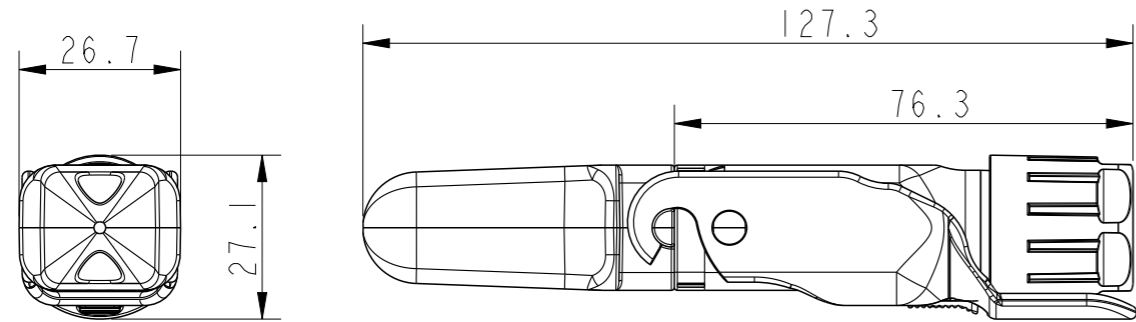
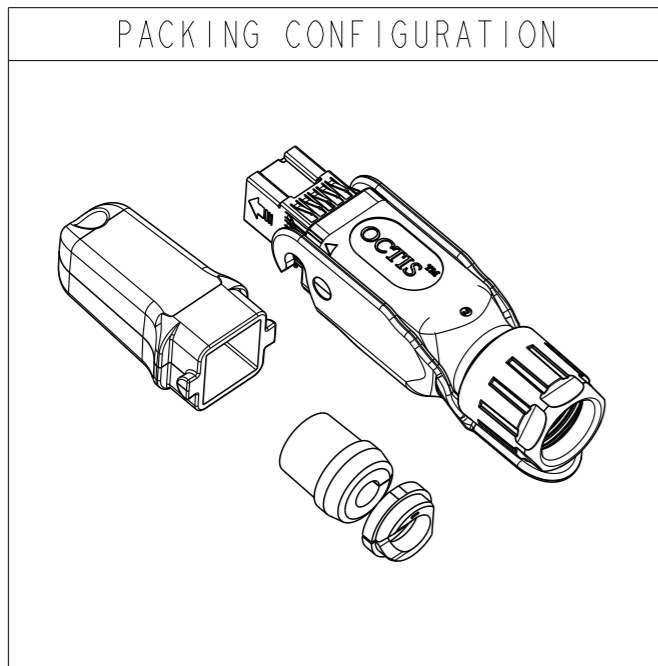


PART NUMBER
10146704-101LF

OCTIS SFP/SFP+ PLUG KIT-REVERSE LEVER,PITCH 26MM



PACKING CONFIGURATION

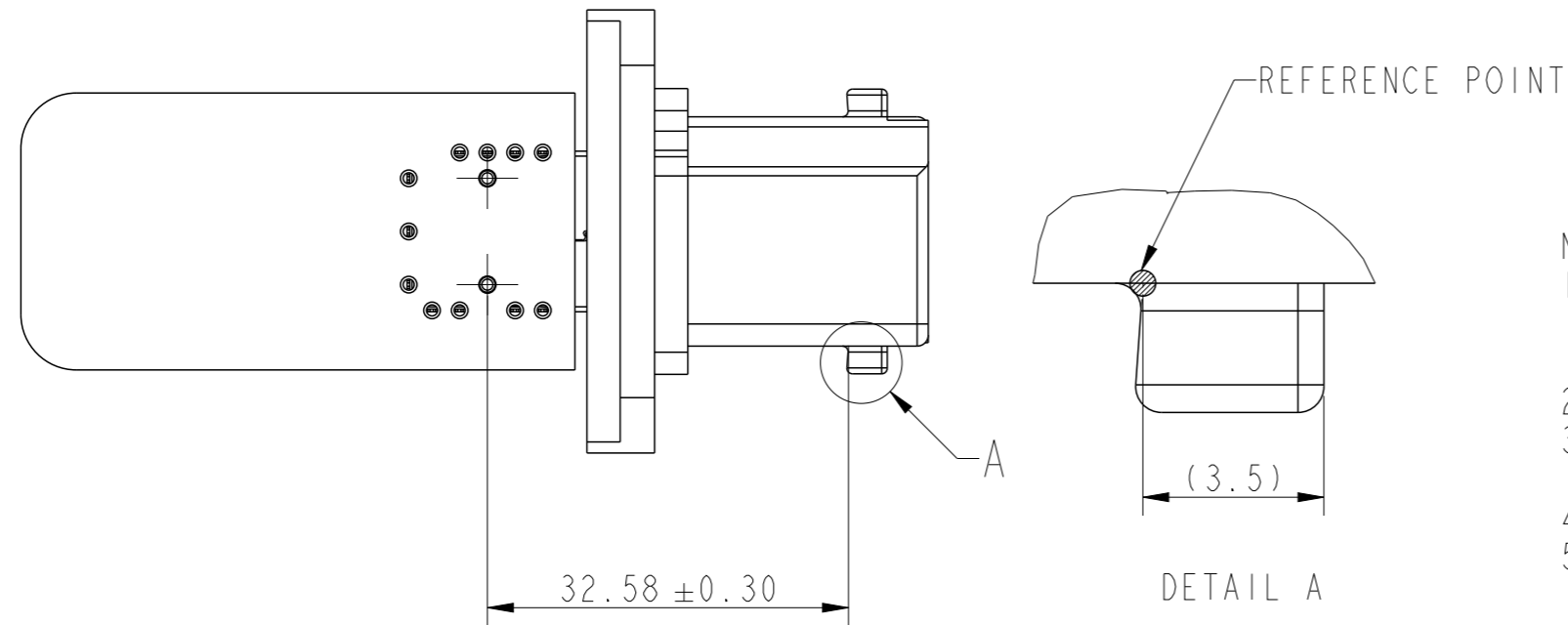
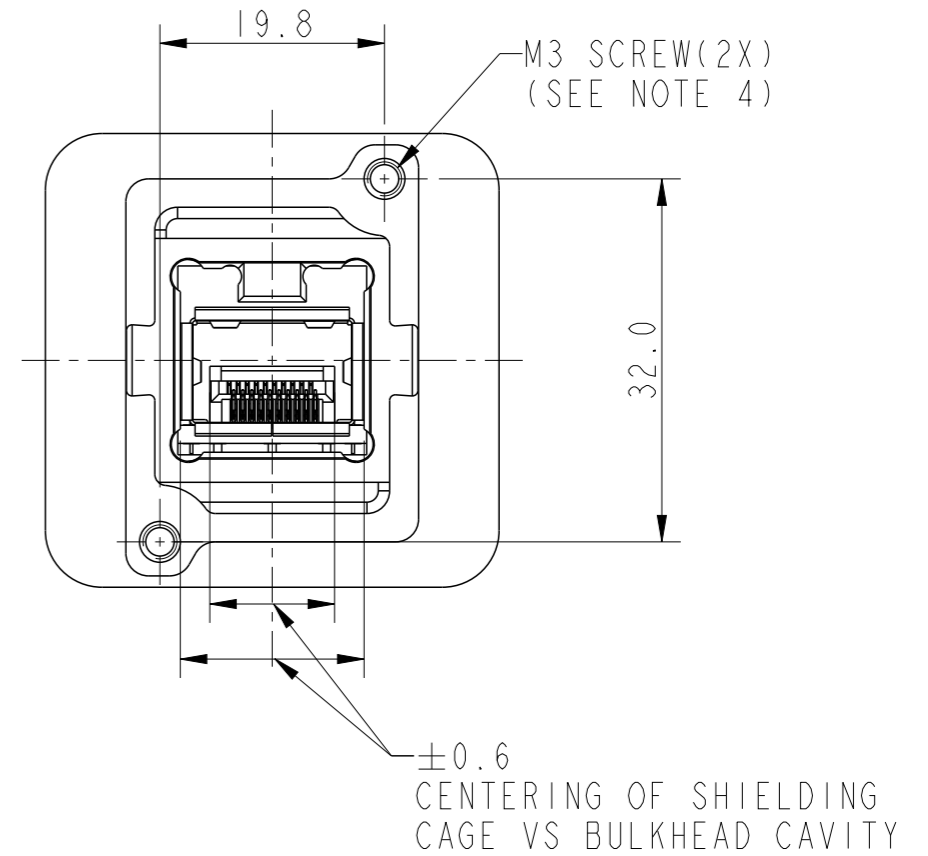
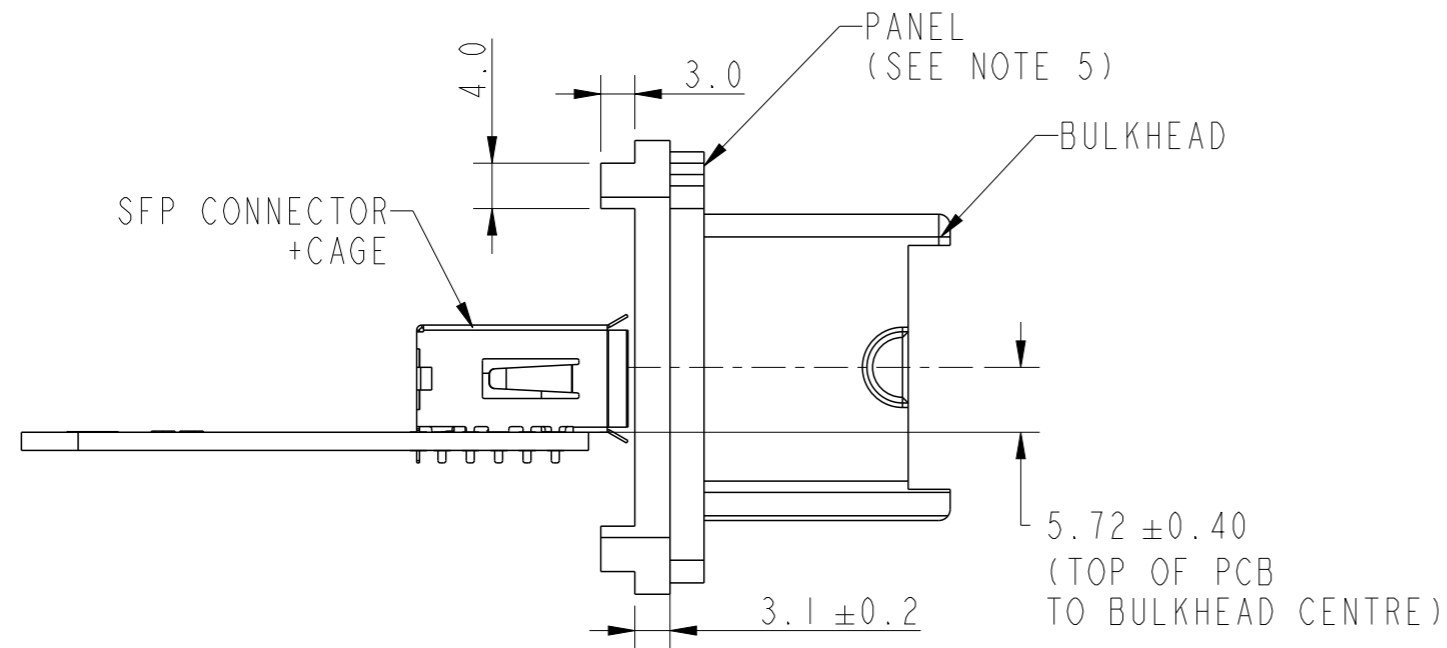


SL NO.	COMPONENT	MATERIAL	REMARKS
1	PLUG CAP	PBT GF	-
2	HOLDER SUBSET KIT	ZAMAK+ STAINLESS STEEL+ SILICONE	PASSIVATED
3	HOUSING SUBSET KIT	PBT GF+IXEF	REVERSE FITTED LEVER
4	SPLIT RUBBER GLAND Ø7	SILICONE	
5	TIGHTENING CONE	PA	-
6	GLAND NUT	PBT GF	COLOUR: BLACK

* STANDARD RUBBER GLAND DIA OFFERED IS 7MM
OPTIONAL RUBBER GLAND DIA OF 6MM,8MM,9MM,10MM & 11.5MM AVAILABLE ON REQUEST

spec ref	dr	Varghese, Bone	2019/04/25	projection	mm	size	A3	scale	3:10
tolerance std	eng	Varghese, Bone	2019/06/11			ecn no	ELX-I-33879-1	rel level	Released
ISO 406 ISO 1101	chr	-	-						
surface	appr	K-Paul Biju	2019/06/11			rel level	Released	dwg no	10146704
ISO 1302	linear	0.X	±0.3	OCTIS SFP/SFP+ PLUG KIT		rev	B	cat. no.	-
	angular	0°	±2°	OCTIS PITCH 26 MM		Product - Customer Drw	sheet 1 of 3		

BOARD CONNECTOR WITH BULK HEAD (RECEPTACLE) DETAILS

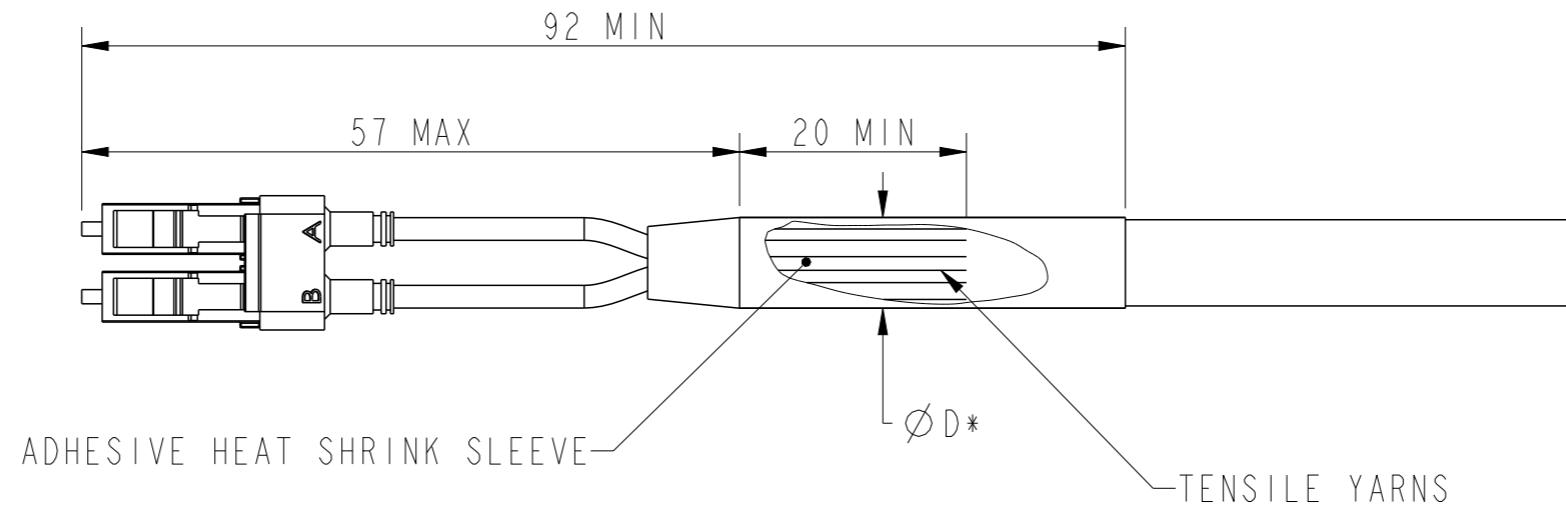


NOTES:

1. BOARD CONNECTOR SHOWN IS FOR REFERENCE PURPOSE. REFER DRAWING P-UE76-A20-X00XX FOR BOARD CONNECTOR DETAILS
2. REFER DRAWING 10133694 FOR CAGE DETAILS
3. REFER DRAWING 10138458 FOR BULK HEAD (RECEPTACLE) DETAILS
4. SCREWS TO BE USED ARE M3 X 6MM; MATERIAL-STAINLESS STEEL
5. CASTED MOUNTING PANEL SHOULD HAVE ON ITS REAR SIDE AN INTEGRAL RECTANGULAR REINFORCED RIBS OF 3MM THICKNESS AND 4MM WIDTH ALONG THE MOUNTING SCREW PLANE AT THE TOP AND BOTTOM TO ACCOMODATE THE BLIND INTERNAL SCREW THREAD

spec ref	dr	Varghese, Bone	2019/04/25	projection	mm	size	A3	scale	1:1
tolerance std	eng	Varghese, Bone	2019/06/11			ecn no	ELX-I-33879-1	rel level	Released
ISO 406 ISO 1101	chr	-	-						
surface	appr	K-Paul Biju	2019/06/11			dwg no	10146704	rev	B
ISO 1302	TOLERANCES UNLESS OTHERWISE SPECIFIED linear: 0.X ±0.3, 0.XX ±0.13, 0.XXX ±0.05 angular: 0° ±2°		cat. no.	-	Product - Customer Drw	sheet 2 of 3			

FAN-OUT DEFINITION



ØD*	RECOMMENDED GLAND SIZE
From 4.8 min to 5.8 Max	"6"
From 5.8 min to 6.8 Max	"7"
From 6.8 min to 7.8 Max	"8"
From 7.8 min to 8.8 Max	"9"
From 8.8 min to 9.8 Max	"10"
From 10.3 min to 11.3 Max	"11.5"

*CABLE DIAMETER UNDER THE GLAND. IF THE CABLE HAS A SLEEVE, THE DIAMETER OVER THE SLEEVE SHOULD BE CONSIDERED THE TOLERANCE OF ØD SHOULD BE TAKEN INTO ACCOUNT TO MAKE SURE IT IS ALWAYS WITHIN THE SPECIFIED RANGE

spec ref		dr	Varghese, Bone	2019/04/25	projection	mm	size	A3	scale	1:2	
tolerance std		eng	Varghese, Bone	2019/06/11			ecn no		ELX-I-33879-1		
ISO 406 ISO 1101		chr	-	-			rel level		Released		
TOLERANCES UNLESS OTHERWISE SPECIFIED		appr	K-Paul Biju	2019/06/11	product family		-		-		
surface	linear	0.X	±0.3	Amphenol FCI	OCTIS SFP/SFP+ PLUG KIT		dwg no	10146704		rev	B
		0.XX	±0.13		OCTIS PITCH 26 MM						
ISO 1302	angular	0°	±2°		cat. no.	-	Product - Customer Drw		sheet 3 of 3		

X-ON Electronics

Largest Supplier of Electrical and Electronic Components

Click to view similar products for [I/O Connectors](#) category:

Click to view products by [Amphenol](#) manufacturer:

Other Similar products are found below :

[571763P](#) [58098-0628](#) [72.250.1628.2](#) [72.250.2428.2](#) [74720-0505](#) [76.350.0729.0](#) [76871-1403](#) [FCN-244F080-G/1](#) [FCN-260A9920](#) [PCR-E36PM](#) [PCS-XE26MA+](#) [G38A71314B](#) [1571250010](#) [157-22500-3](#) [MS3471L14-19P L/C](#) [192991-0703](#) [172501-4002](#) [172501-6002](#) [FCN-260C008-A/L0](#) [FCN-260C024-AL0](#) [FCN-261Z008](#) [2000314-1](#) [200331-1](#) [PCR-E36FC+](#) [PCS-E28FS+](#) [PCS-XE26SLFD+](#) [PCS-XE26SLFDT+](#) [G730VID08BDC24](#) [HDR-E14MSG1+](#) [U90B2054081210](#) [UE86K842720321](#) [38113800006](#) [DP3AR020WQ1R200](#) [Z4.102.0680.0](#) [500-1040](#) [500-1052](#) [500-1054](#) [ZP-4008-66L](#) [0709821002](#) [DX40-20P\(55\)](#) [5554841-1](#) [MS3474W18-8P-LC*](#) [SM3106F14S-7S-LC](#) [U90B3054061110](#) [U65-E04-4020](#) [ZPF000000000097891](#) [557-262M2-06C](#) [747360449](#) [10099439-003C-TRLF](#) [10137239-0021LF](#)