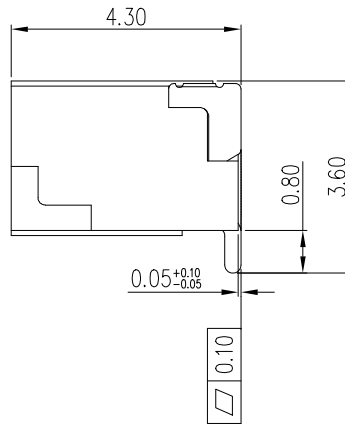


RECOMMENDED PCB LAYOUT  
GENERAL TOLERANCE ±0.05



NOTES:

- MATERIAL SPECIFICATION
  - INSULATION: PA9T UL 94V-0.
  - CONTACT: THICK 0.20mm BRASS.
  - SOLDER TAB: THICK 0.20mm BRASS.
- PLATING SPECIFICATION
  - CONTACT: MATTE TIN/GOLD PLATED.
  - SOLDER TAB: MATTE TIN PLATED.
- PRODUCT SPEC: GS-12-1465
- PACKAGING SPEC: GS-14-2613
- USE WITH AFCI HOUSING 10147603
- THIS HOUSING WILL WITHSTAND EXPOSURE TO 260°C PEAK TEMP FOR 10S IN A REFLOW OVEN.
- BILL OF PART NO:  
10147605 - X X X XX LF

MATERIAL  
0: PA9T NATURAL  
1: PA9T BLACK

PLATING  
0: MATTE TIN  
1: GOLD FLASH

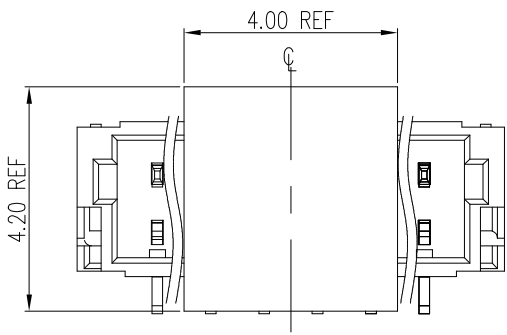
LEAD FREE  
TOTAL POSITIONS  
02 TO 20

PACKAGING  
0: TAPE&REEL  
Q: TAPE&REEL WITHOUT COVER(CUSTOMIZED)

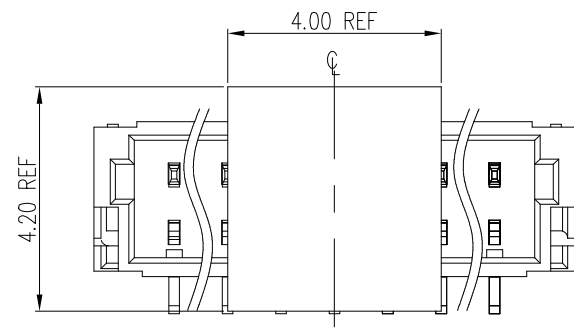
DIMENSIONAL

POS	A	B	C	D	POS	A	B	C	D
2	1.00	2.50	4.00	3.30	12	11.00	12.50	14.00	13.30
3	2.00	3.50	5.00	4.30	13	12.00	13.50	15.00	14.30
4	3.00	4.50	6.00	5.30	14	13.00	14.50	16.00	15.30
5	4.00	5.50	7.00	6.30	15	14.00	15.50	17.00	16.30
6	5.00	6.50	8.00	7.30	16	15.00	16.50	18.00	17.60
7	6.00	7.50	9.00	8.30	17	16.00	17.50	19.00	18.30
8	7.00	8.50	10.00	9.30	18	17.00	18.50	20.00	19.30
9	8.00	9.50	11.00	10.30	19	18.00	19.50	21.00	20.30
10	9.00	10.50	12.00	11.30	20	19.00	20.50	22.00	21.30
11	10.00	11.50	13.00	12.30					

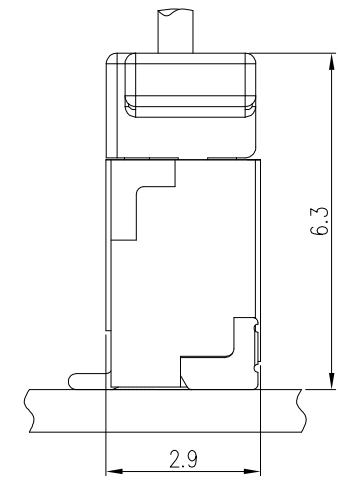
mat'l. code		surface ISO 1302		tolerance ISO 406 ISO 1101		projection		product family	
ltr		ecn no		dr		date		title	
B		ELX-N-34989		Jason		2019/9/27		1.0mm Vertical Header	
								scale 1:1	
								sheet 1 of 2	
								size A3	
								10147605	
								type Product Customer Drawing	
sheet index		revision sheet		B B					
		1 2							



POS 2,4,6,8,10,12,14,16,18,20



POS 3,5,7,9,11,13,15,17,19



ASSEMBLY LAYOUT  
TOP ENTRY TYPE

mat'l. code		surface ISO 1302 ✓		tolerance ISO 406 ISO 1101		projection		product family	
ltr		ecn no		dr		date		title	
B		ELX-N-34989		Jason		2019/9/27		1.0mm Vertical Header	
								sheet 2 of 2	
								size A3	
								dwg no 10147605	
								type Product Customer Drawing	
sheet index		revision sheet		B B					
				1 2					

## X-ON Electronics

Largest Supplier of Electrical and Electronic Components

*Click to view similar products for [Headers & Wire Housings](#) category:*

*Click to view products by [Amphenol](#) manufacturer:*

Other Similar products are found below :

[95000-104TRLF](#) [10135584-644402LF](#) [DF62W-EP2022PCA](#) [95000-106TRLF](#) [DF62W-2022SCA](#) [DF62W-EP2022PC](#) [2203348](#) [DF62W-2022SC](#) [1084018](#) [1029039](#) [1084017](#) [802-10-012-10-002000](#) [1112640](#) [1112639](#) [891-007-9SS-BST1T](#) [000-34000](#) [0008550134](#) [0009482033](#) [0009507031](#) [57102-F02-18ULF](#) [57102-S06-03LF](#) [57202-S52-04LF](#) [PCN6-15S-2.5E](#) [0039019024](#) [58102-G61-06LF](#) [582553-1](#) [0009485154](#) [0009508121](#) [0022285053](#) [0050291907](#) [018731A](#) [LY20-4P-DT1-P1E-BR](#) [02.125.8002.8](#) [60101931](#) [60598-1 \(Cut Strip\)](#) [M1625-3R/100](#) [61062-3](#) [61082-181009](#) [CSU011177004](#) [636-1427](#) [638009-1](#) [641938-9](#) [641991-4](#) [644168-1](#) [644827-2](#) [647662-1](#) [65039-019ELF](#) [65692-001LF](#) [65781-018](#) [65781-047](#)