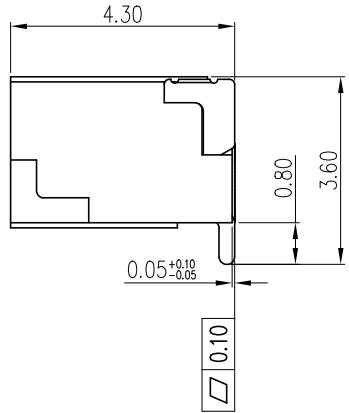
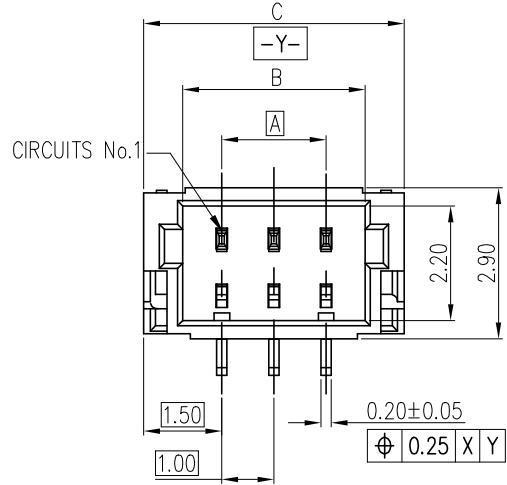


RECOMMENDED PCB LAYOUT
GENERAL TOLERANCE ±0.05



NOTES:

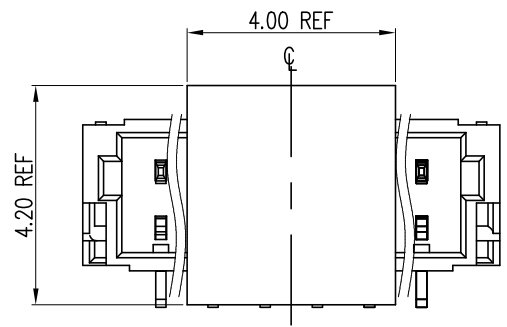
1. MATERIAL SPECIFICATION
 - 1.1 INSULATION: PA9T UL 94V-0.
 - 1.2 CONTACT: THICK 0.20mm BRASS.
 - 1.3 SOLDER TAB: THICK 0.20mm BRASS.
2. PLATING SPECIFICATION
 - 2.1 CONTACT: MATTE TIN/GOLD PLATED.
 - 2.2 SOLDER TAB: MATTE TIN PLATED.
3. PRODUCT SPEC: GS-12-1465
4. PACKAGING SPEC: GS-14-2613
5. USE WITH AFCI HOUSING 10147603
6. THIS HOUSING WILL WITHSTAND EXPOSURE TO 260°C PEAK TEMP FOR 10S IN A REFLOW OVEN.
7. BILL OF PART NO: 10147605 - X X X XX LF

MATERIAL ———— LEAD FREE
 0: PA9T NATURAL ———— TOTAL POSITIONS
 1: PA9T BLACK ———— 02 TO 20
 PLATING ———— PACKAGING
 0: MATTE TIN ———— 0: TAPE&REEL
 1: GOLD FLASH

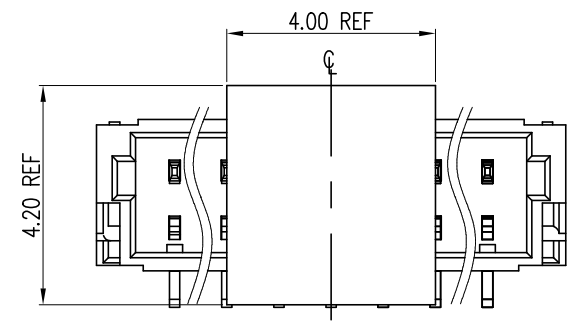
DIMENSIONAL

POS	A	B	C	D	POS	A	B	C	D
2	1.00	2.50	4.00	3.30	12	11.00	12.50	14.00	13.30
3	2.00	3.50	5.00	4.30	13	12.00	13.50	15.00	14.30
4	3.00	4.50	6.00	5.30	14	13.00	14.50	16.00	15.30
5	4.00	5.50	7.00	6.30	15	14.00	15.50	17.00	16.30
6	5.00	6.50	8.00	7.30	16	15.00	16.50	18.00	17.60
7	6.00	7.50	9.00	8.30	17	16.00	17.50	19.00	18.30
8	7.00	8.50	10.00	9.30	18	17.00	18.50	20.00	19.30
9	8.00	9.50	11.00	10.30	19	18.00	19.50	21.00	20.30
10	9.00	10.50	12.00	11.30	20	19.00	20.50	22.00	21.30
11	10.00	11.50	13.00	12.30					

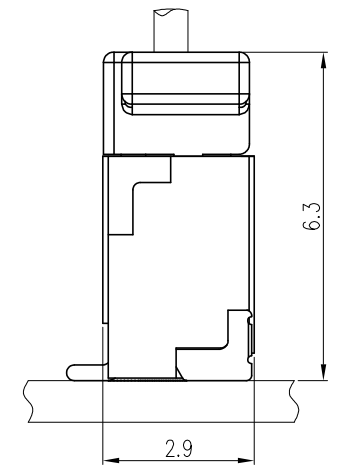
mat'l. code		surface ISO 1302 <input checked="" type="checkbox"/> ISO 406 ISO 1101		tolerance tolerance unless otherwise specified		projection		product family Minitek	
ltr	ecn no	dr	date	angles linear		mm		title 1.0mm Vertical Header	
				0°±x'		scale 1:1		dwg no 10147605 sheet 1 of 2 size A3	
				dr	TONY LENG	2018-03-19	Amphenol FCI	type Product Customer Drawing	
				eng	TONY LENG	2018-03-19			
				chr	ZK HU	2018-03-19			
				appd	TIM YAO	2018-03-19			
sheet index	revision sheet	A 1	A 2						



POS 2,4,6,8,10,12,14,16,18,20



POS 3,5,7,9,11,13,15,17,19



ASSEMBLY LAYOUT
TOP ENTRY TYPE

Amphenol FCI
© 2016 AFCI

mat'l. code		surface		tolerance		projection		product family	
		ISO 1302 ✓		ISO 406 ISO 1101		1101		Minitek	
ltr		ecn no		dr		date		title	
								1.0mm Vertical Header	
				angles		linear		mm	
				0°±x'		.0±.30		scale 1:1	
						.00±.20			
						.000±.10			
		dr		TONY LENG		2018-03-19		dwg no	
		eng		TONY LENG		2018-03-19		sheet 2 of 2	
		chr		ZK HU		2018-03-19		10147605	
		appd		TIM YAO		2018-03-19		A3	
sheet		revision		A		A		type	
index		sheet		1		2		Product Customer Drawing	

X-ON Electronics

Largest Supplier of Electrical and Electronic Components

Click to view similar products for [Headers & Wire Housings](#) category:

Click to view products by [Amphenol](#) manufacturer:

Other Similar products are found below :

[892-18-020-10-001101](#) [58102-G61-06LF](#) [582553-1](#) [0009485154](#) [009176003701906](#) [0050291907](#) [LY20-4P-DT1-P1E-BR](#) [02.125.8002.8](#)
[609-3404](#) [61062-3](#) [622-0430](#) [622-3653LF](#) [63453-116](#) [636-1030](#) [636-1427](#) [636-3427](#) [636-4007](#) [641938-9](#) [641991-4](#) [644827-2](#) [65817-010LF](#)
[65817-015LF](#) [65863-015LF](#) [66207-023LF](#) [67095-007LF](#) [67601157](#) [68648-049](#) [70.362.1628.0](#) [70-4210](#) [70-4226B](#) [70-4853B](#) [707-5020](#) [707-5028](#) [71.350.2428.0](#) [71918-208LF](#) [71961-016LF](#) [733-134](#) [733-162](#) [754199-000](#) [760-3052](#) [787-8014-00](#) [79531-3000](#) [FCN-360C032-B](#) [FCN-367T-T012/H](#) [FCN-723D010/2](#) [80.063.4001.1](#) [800-90-001-10-001000](#) [800-90-010-10-002000](#) [801-43-002-10-013000](#) [801-43-006-10-002000](#)