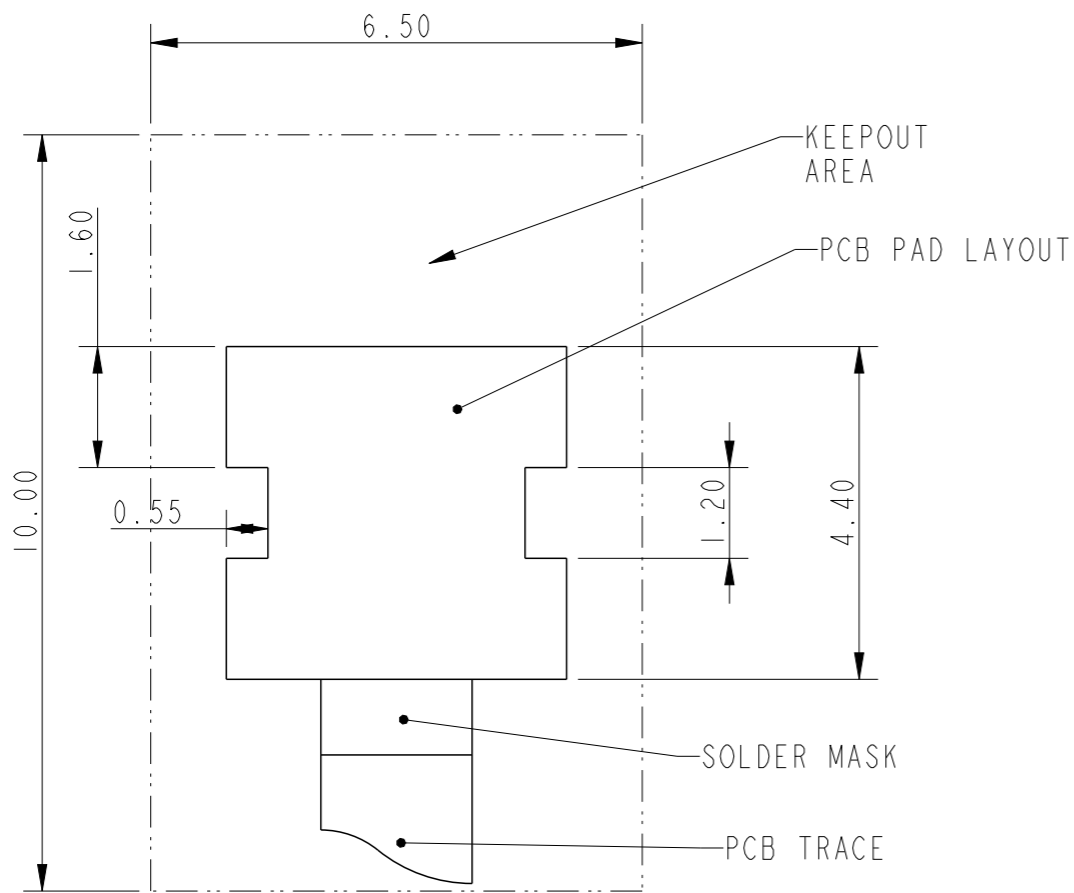


spec ref		dr	Sreenivas, Gok	2019/03/27	projection	MM	size	A3	scale	14:1		
tolerance std		eng	Sreenivas, Gok	2019/04/30			ecn no		ELX-I-33410-1			
ISO 406 ISO 1101		chr	-	-			rel level		Released			
TOLERANCES UNLESS OTHERWISE SPECIFIED		appr	K-Paul Biju	2019/04/30	product family							
surface	linear	0.X	±0.3		Amphenol FCI	GRIPLET 16-20AWG IDC, SMT		dwg no	10150494c		rev	B
		0.XX	±0.1			16-20AWG						
		0.XXX	±0.05			cat. no.	-		Product - Customer Drw		sheet 1 of 2	
ISO 1302	angular	0°	±2°									

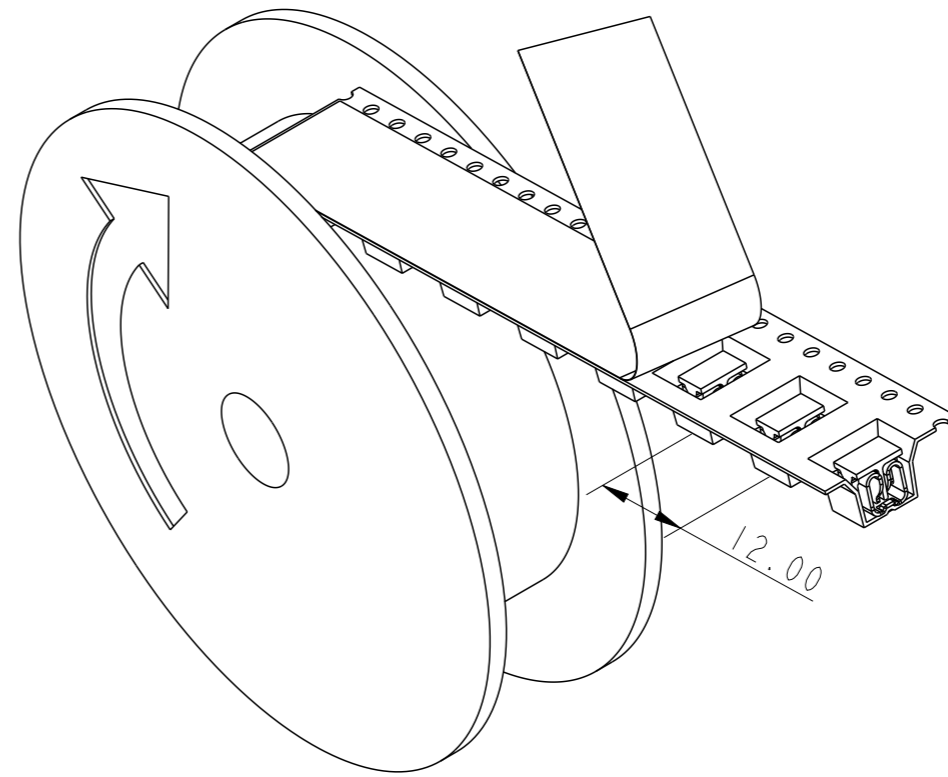
Amphenol FCI

© 2016 AFCI

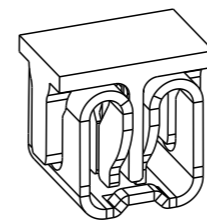
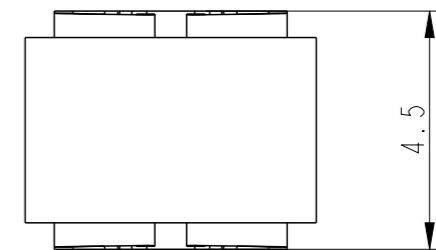


RECOMENDED SOLDER PAD FOOTPRINT AND KEEP-OUT ZONE FOR WIRE INSTALLATION TOOL.

- NOTES:
1. MATERIAL : COPPER ALLOY
 2. PLATING SPEC : TIN OVER NICKEL
 3. MIMUM CENTRAL LINE SPACING BETWEEN ADJACENT TERMINALS IS 5MM.

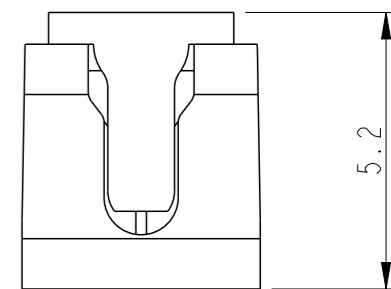
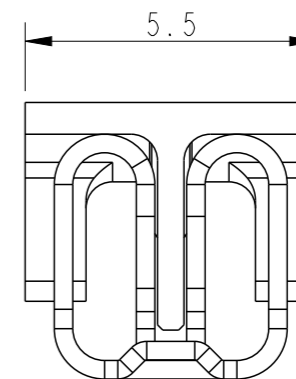


TAPE AND REEL
REELING UNWINDING DIRESECTION
SCALE 7:5



SCALE 4:1

PN : 10150494-10ITRLF
SHOWN



WITH PICK AND PLACE
CAP

spec ref		dr	Sreenivas, Gok	2019/03/27	projection	MM	size	A3	scale	15:1
tolerance std		eng	Sreenivas, Gok	2019/04/30			ecn no	ELX-I-33410-1	rel level	Released
ISO 406 ISO 1101		TOLERANCES UNLESS OTHERWISE SPECIFIED		product family						
surface	linear	0.X	±0.3		GRIPLET 16-20AWG IDC, SMT		dwg no	10150494c	rev	B
		0.XX	±0.1		16-20AWG					
	angular	0°	±2°		cat. no.	Product - Customer Drw		sheet 2 of 2		

X-ON Electronics

Largest Supplier of Electrical and Electronic Components

Click to view similar products for [Terminals](#) category:

Click to view products by [Amphenol](#) manufacturer:

Other Similar products are found below :

[HT-13-10](#) [71M-250-32-NB](#) [01-2065-1-0216](#) [00581P0075](#) [M10-10RX](#) [M10BCK](#) [60205-1](#) [604200-1](#) [60598-1-CUT-TAPE](#) [60617-1-C](#) [60873-1](#) [M14-516R/SK](#) [M14-6RSX](#) [M18-10FLX](#) [M18-8FBX](#) [M18-8R/LX](#) [M18BCK](#) [61314-6-C](#) [61-S](#) [61-SN-A](#) [62149-1](#) [62-NBM-A](#) [63-S](#) [640179-1](#) [640917-2-CUT-TAPE](#) [6501550002](#) [66107-2-C](#) [66107-4-C](#) [696683-1](#) [696834-1](#) [696861-1](#) [696931-1](#) [696999-1](#) [M8-516RK](#) [M86700006](#) [MA250DMFMX-A](#) [701-2007](#) [701-2307](#) [701-7761-03](#) [70F-110-32-PB](#) [718-N-A](#) [71M-187-20-NBL](#) [71M-250-32-NBL](#) [72F-187-20-NBL](#) [72M-250-32-NBL](#) [7310](#) [73F-250-32](#) [73F-250-32-NBL](#) [73F-250-32-NL](#) [F-1M](#)