

PRODUCT DESCRIPTION CODE :

10156818-A002 LF

RoHS COMPATIBLE

FOR CUSTOMER CODE:
BLANK = GENERAL USE

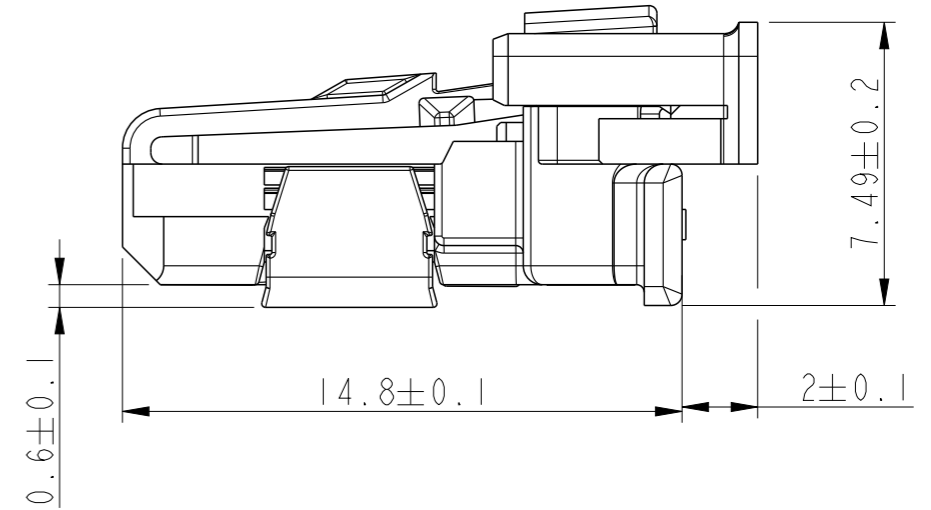
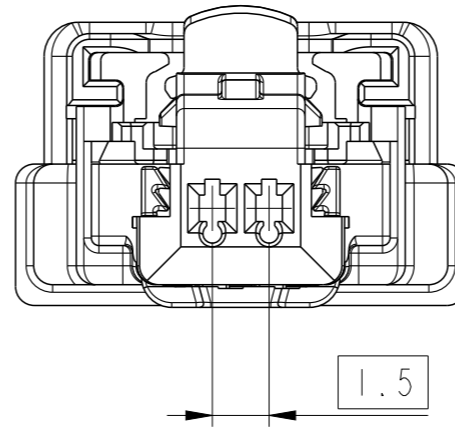
PACKAGING :
BLANK = BULK

NUMBER OF POSITIONS : 02

MATERIAL (SEE NOTE 1)

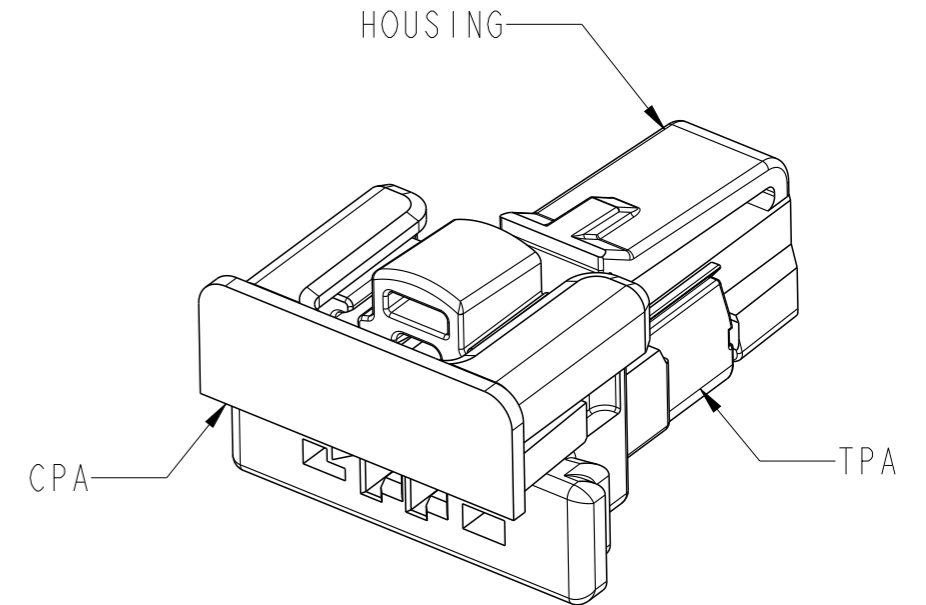
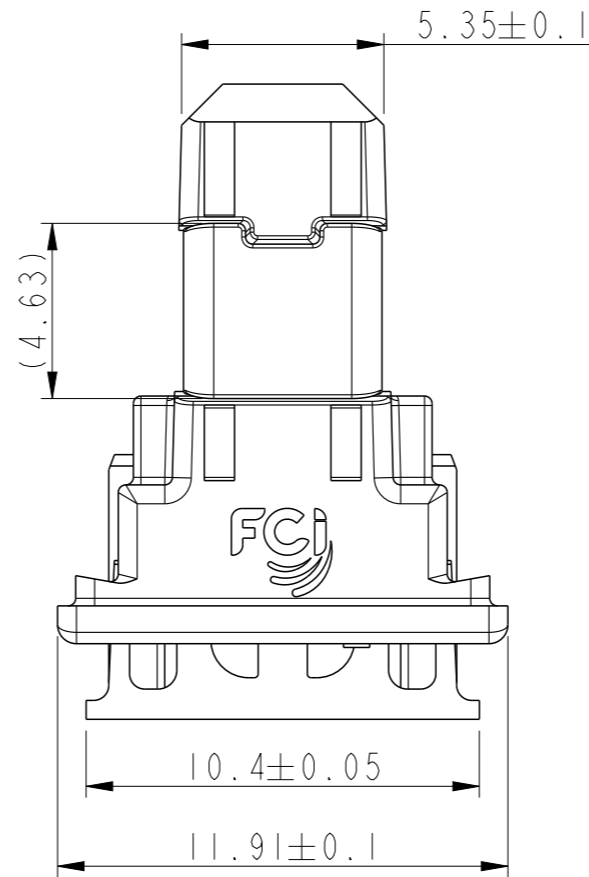
CODING TYPE :

BLANK = NEUTRAL BLACK COLOR
A = CODING A BLACK COLOR
B = CODING B BLACK COLOR
C = CODING B NATURAL COLOR



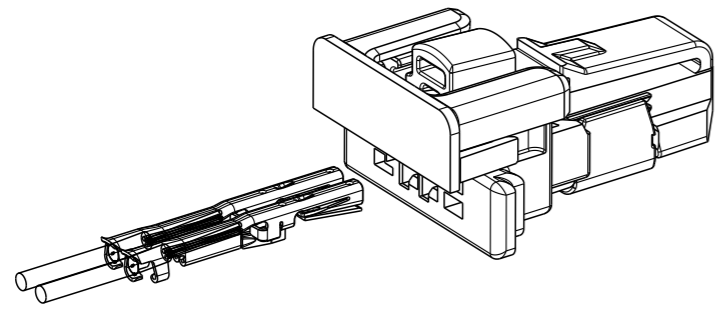
NOTES:

- 1 - MATERIAL :
HIGH TEMPERATURE THERMOPLASTIC UL94 V-0
- 2 - PACKAGING : BULK
- 3 - FOR USE WITH MINITEK μSPACE CTW TERMINALS :
AWG 26-30, SERIE 10141272
- 4 - TO BE MATED WITH MINITEK μSPACE HEADERS SERIES
10156816 & 10159449
- 5 - RoHS COMPLIANT, THE PRODUCT IS NOT INTENDED TO BE
EXPOSED TO ANY SOLDER PROCESS.
- 6 - PRODUCT MEETS EUROPEAN UNION DIRECTIVES AND OTHERS
COUNTRY REGULATIONS AS PER GS-022-008
- 7 - VIEWS WITHOUT NAME CORRESPOND TO THE NEUTRAL CODING

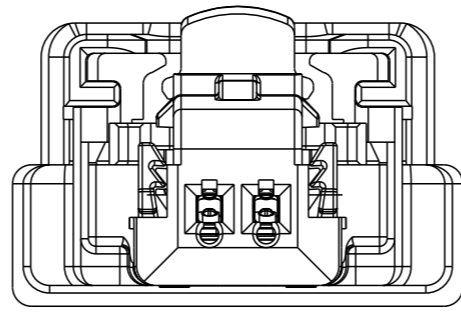


PRE-LOAD CONFIGURATION : DELIVERED STATUS

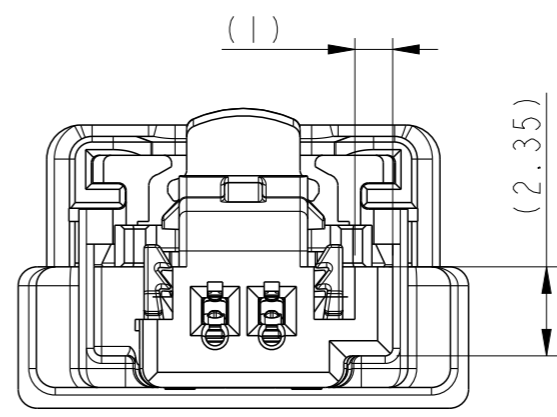
spec ref	-	dr	Ramu P	2020/02/25	projection	mm	size	A3	scale	5:1	
tolerance std	ISO 406 ISO 1101	eng	Moisan, Gwenda	2020/11/16			ecn no	ELX-F-38970-1			
	TOLERANCES UNLESS OTHERWISE SPECIFIED	chr	-	-			rel level	Released			
surface	linear	appr	Cyril Jeune	2020/11/17	product family		dwg no	10156818		rev	B
	angular							RECEPTACLE ASSEMBLY MINITEK μSPACE STS 1.5 TOP LATCH			
					cat. no.	Product - Customer Special Drw		sheet 1 of 3			



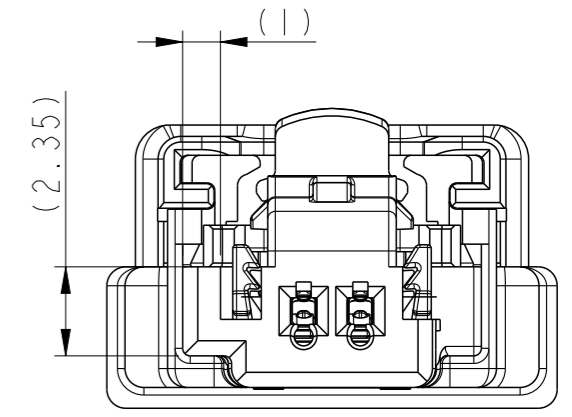
PRE-LOAD CONFIGURATION FOR TERMINAL INSERTION



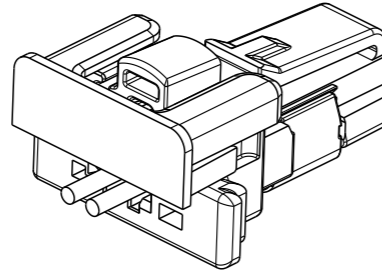
2POS NEUTRAL CODING



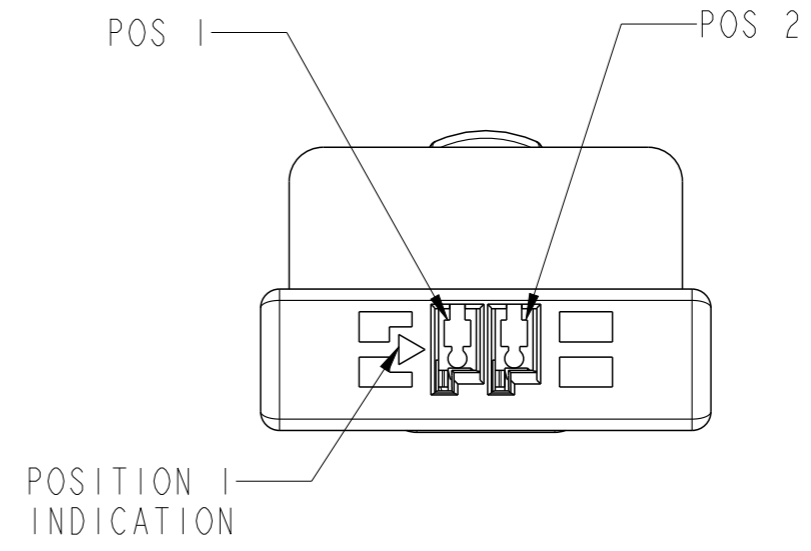
2POS CODA DIMENSIONS



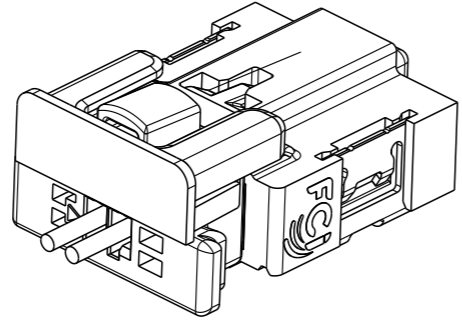
2POS CODB DIMENSIONS



FINAL LOAD CONFIGURATION WITH INSERTED TERMINAL



POSITION NUMBER INDICATION



FULL HEADER AND RECEPTACLE ASSEMBLY CONFIGURATION

spec ref	-			dr	Ramu P	2020/02/25	projection	mm	size	A3	scale	5:1
tolerance std	TOLERANCES UNLESS OTHERWISE SPECIFIED			eng	Moisan, Gwenda	2020/11/16			ecn no		ELX-F-38970-1	
ISO 406				chr	-					rel level		Released
ISO 1101				appr	Cyril Jeune	2020/11/17	product family					
surface	linear	0.X	±0.3		RECEPTACLE ASSEMBLY			dwg no	10156818		rev	B
		0.XX	±0.10		MINITEK μSPACE STS 1.5 TOP LATCH							
0.XXX	±0.05	cat. no.			Product - Customer Special Drw		sheet 2 of 3					
ISO 1302	angular	0°	±2°									

1

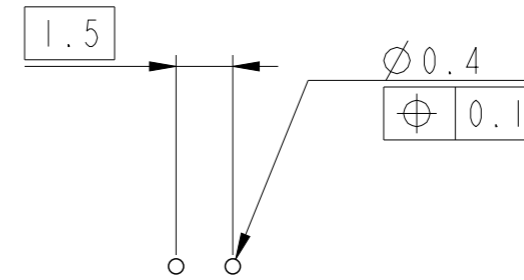
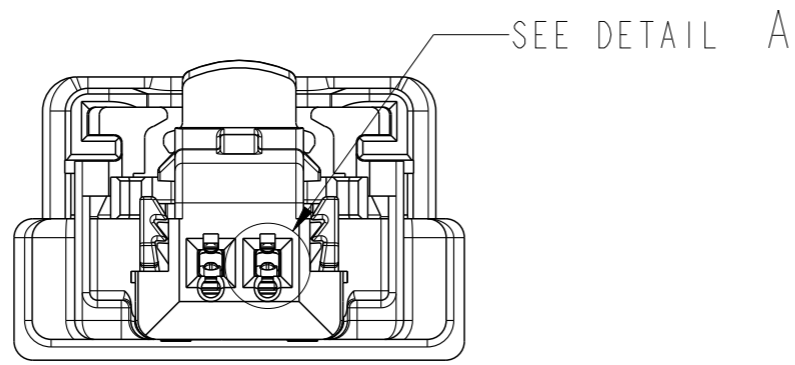
2

3

4

A

B

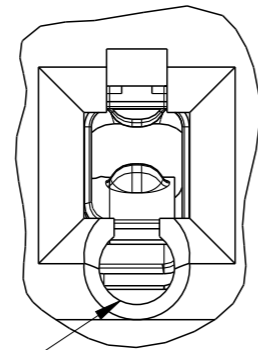


TEST PROBE \varnothing 0.4mm COMPLIANCE

RECOMMENDED LAYOUT OF TEST PROBE \varnothing 0.4mm

Amphenol
FCi

C



HOLE FOR TEST PROBE

DETAIL A
SCALE 20:1

© 2016 AFCI

D

spec ref -		dr	Ramu P	2020/02/25	projection	mm	size	A3	scale	2:1	
tolerance std		TOLERANCES UNLESS OTHERWISE SPECIFIED					ecn no		ELX-F-38970-1		
ISO 406 ISO 1101		eng	Moisan, Gwenda	2020/11/16			rel level		Released		
surface			linear	0.X	± 0.3	product family		RECEPTACLE ASSEMBLY		dwg no 10156818	rev B
ISO 1302			angular	0°	$\pm 2^\circ$	MINITEK μ SPACE STS 1.5 TOP LATCH		Product - Customer Special Drw			
			chr	-	cat. no.		Product - Customer Special Drw		sheet 3 of 3		
			appr	Cyril Jeune	2020/11/17						

2

3

4

X-ON Electronics

Largest Supplier of Electrical and Electronic Components

Click to view similar products for [Headers & Wire Housings](#) category:

Click to view products by [Amphenol](#) manufacturer:

Other Similar products are found below :

[57102-F02-18ULF](#) [58102-G61-06LF](#) [582553-1](#) [009176003701906](#) [0050291907](#) [02.125.8002.8](#) [609-3404](#) [61062-3](#) [622-0430](#) [622-3653LF](#)
[63453-116](#) [636-1030](#) [636-1427](#) [636-3427](#) [636-4007](#) [641938-9](#) [65495-038](#) [65692-001LF](#) [65781-018](#) [65781-047](#) [65817-010LF](#) [65817-015LF](#)
[66207-023LF](#) [67095-007LF](#) [68631-112](#) [68645-018](#) [68648-049](#) [699319-000](#) [M90C108951C](#) [70.362.1628.0](#) [70-4210](#) [70-4226B](#) [70-4853B](#)
[707-5020](#) [707-5028](#) [71.350.2428.0](#) [71961-016LF](#) [733-134](#) [754199-000](#) [760-3052](#) [787-8014-00](#) [80.063.4001.1](#) [800-90-001-10-001000](#)
[801-43-002-10-013000](#) [801-43-006-10-002000](#) [803-41-018-10-001000](#) [803-43-014-20-001000](#) [803-43-024-10-001000](#) [803-93-012-10-001000](#)
[8-1437020-4](#)