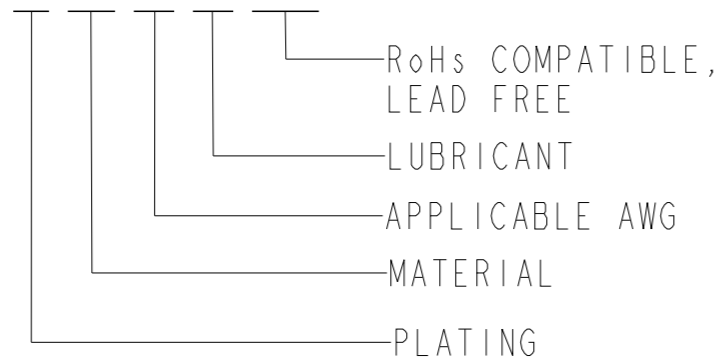


PRODUCT NUMBER

10156852-Y X X X LF



NOTES

1- PLATING :

- 1- GOLD FLASH 0.1 μm MIN ON CONTACT AREA
2μm MIN MATTE TIN ON CRIMPING AREA
1.27μm MIN Ni UNDERLAYER.
- 2- 2μm MATTE TIN + 0.5μm COPPER UNDERCOAT,
REFLOW PLATED (PRE-PLATED).
- 3- GOLD 0.38μm MIN ON CONTACT AREA
2μm MIN MATTE TIN ON CRIMPING AREA
1.27μm MIN Ni UNDERLAYER.
- 4- GOLD 0.76μm MIN ON CONTACT AREA
2μm MIN MATTE TIN ON CRIMPING AREA
1.27μm MIN Ni UNDERLAYER.

2- MATERIAL

- 2- BRASS (STANDARD CURRENT)
- 3- HIGH CONDUCTIVITY COPPER ALLOY (HIGH CURRENT)

3- APPLICABLE AWG

- 1- AWG #16-18 : INSULATOR DIAMETER 3.10MM MAX
- 2- AWG #20-24 : INSULATOR DIAMETER 2.55MM MAX
- 3- AWG #26-28 : INSULATOR DIAMETER 2.00MM MAX

4- LUBRICANT :

0- NONE

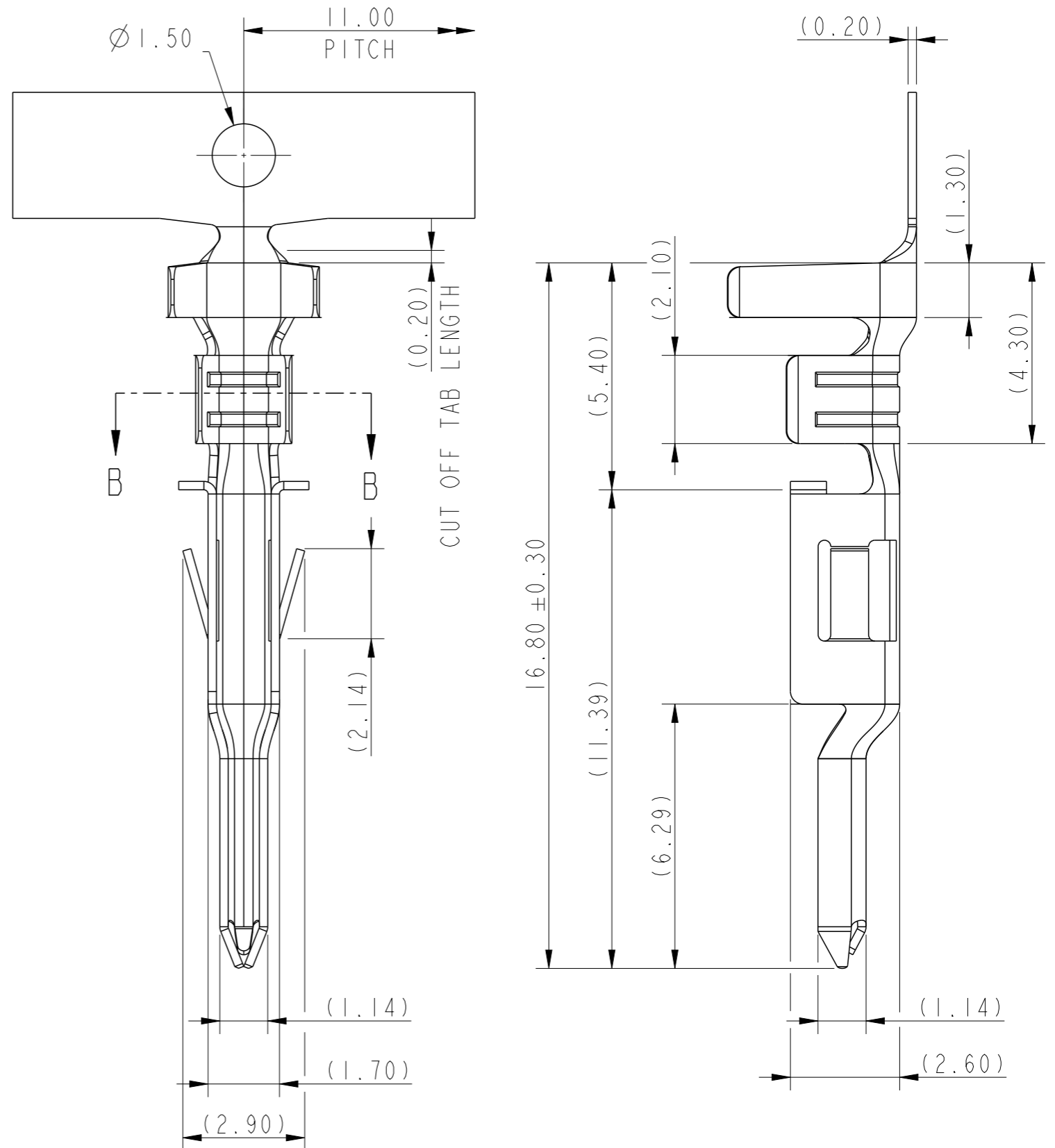
5- REFER GS-20-0659 AND GS-20- APPLICATION SPECIFICATION FOR MATING CONNECTOR.

6- APPLICATION SPECIFICATION:GS-20-0659.

7- REEL PACKING AS PER GS-14-2751.

8- PRODUCT SPECIFICATION : GS-12-1181 (STANDARD)
GS-12-1333 (HIGH CURRENT)

9- LEAD FREE PRODUCTS MEET EUROPEAN UNION DIRECTIVES AND OTHER COUNTRY REGULATIONS AS DESCRIBED IN GS-47-0004



spec ref		dr	Vipin M-G	2022/03/04	projection	MM	size	A3	scale	4:1	
tolerance std		eng	Paul Mithun	2022/04/04			ecn no		rel level		
ISO 406 ISO 1101		chr	-	-			-		Released		
TOLERANCES UNLESS OTHERWISE SPECIFIED		appr	Kuriakose, San	2022/04/04	product family		MINITEK		rel level		
surface	linear	0.X		±0.4	Amphenol FCI		title PLUG CRIMP TERMINAL MINITEK POWER 4.2		dwg no		rev
		0.XX		±0.30					10156852		A
0.XXX		±0	ptc_wm								
ISO 1302	angular	0°		±2°	cat. no.		-		Product - Customer Drw		
							sheet 1 of 2				

1

2

3

4

A

B

C

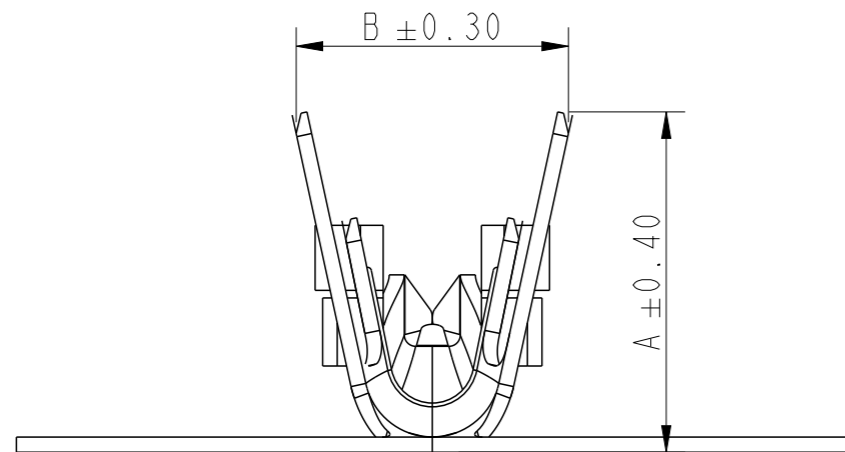
D

A

B

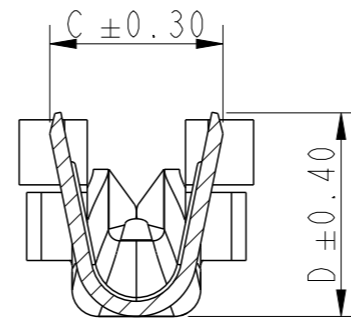
C

D



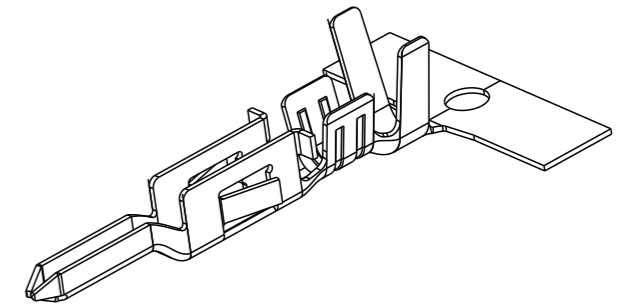
INSULATION BARREL

SCALE 10:1

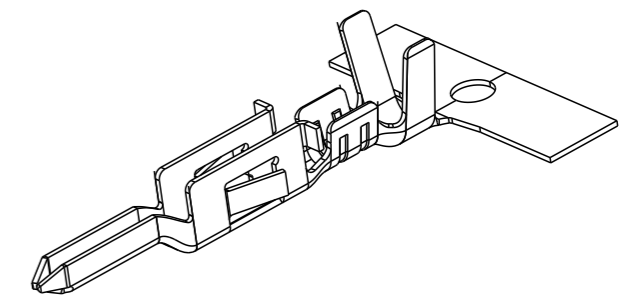


CONDUCTOR BARREL

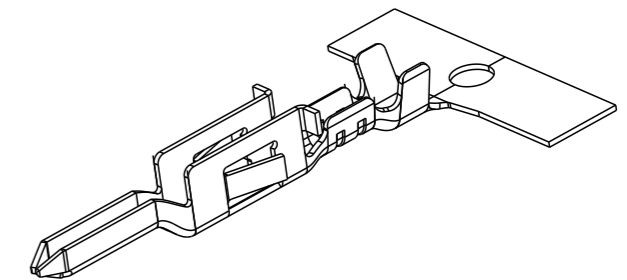
SECTION B-B
SCALE 10:1



10156852-YX1XLF : AWG#16-18



10156852-YX2XLF : AWG#20-24



10156852-YX3XLF : AWG#26-28

PART NUMBER	DIM A	DIM B	DIM C	DIM D
10156852-YX1XLF	4.50	3.60	2.30	2.70
10156852-YX2XLF	4.10	3.40	1.80	2.00
10156852-YX3XLF	2.40	2.40	1.40	1.50

Amphenol
FCi

© 2020 Amphenol Corporation

spec ref		dr	Vipin M-G	2022/03/04	projection 	MM ←→	size	A3	scale	10:1
tolerance std		eng	Paul Mithun	2022/04/04			ecn no	-		
ISO 406 ISO 1101		TOLERANCES UNLESS OTHERWISE SPECIFIED		chr			-	rel level	Released	
surface	linear	0.X	±0.4	Amphenol FCi	product family	MINITEK	dwg no	10156852	rev	A
		0.XX	±0.30							
ISO 1302	angular	0.XXX	±0	PLUG CRIMP TERMINAL		Product - Customer Drw		sheet 2 of 2		
		0°	±2°	MINITEK POWER 4.2		Product - Customer Drw		sheet 2 of 2		
ISO 1302		cat. no.	-	Product - Customer Drw		sheet 2 of 2				

2

3

PDS: Rev :A

STATUS:Released

Printed: Apr 05, 2022

X-ON Electronics

Largest Supplier of Electrical and Electronic Components

Click to view similar products for [Power to the Board](#) category:

Click to view products by [Amphenol](#) manufacturer:

Other Similar products are found below :

[6643429-1](#) [6651939-1](#) [6766604-1](#) [120959-1](#) [1393557-2](#) [1393532-2](#) [1393532-3](#) [1393557-1](#) [1744132-7](#) [1-6450850-6](#) [1-6450869-6](#) [1645526-2](#)
[2005243-2](#) [377-0020-11130](#) [MC116N](#) [51700-10201602AALF](#) [51970-004](#) [5-6450830-6](#) [4-6600333-3](#) [10125416-4050LF](#) [10130248-005LF](#)
[6600320-3](#) [1888123-2](#) [6766605-1](#) [701-15-02109](#) [6450810-7](#) [46437-1112](#) [6450813-2](#) [6450842-4](#) [1645523-1](#) [6651670-1](#) [1761385-3](#) [46562-](#)
[1175](#) [2221861-1](#) [98-1100-0230-4](#) [MC4006D](#) [46437-1545](#) [46437-1650](#) [46437-1652](#) [46562-1476](#) [46562-1650](#) [46562-1652](#) [6450551-8](#)
[10106262-0017101LF](#) [10077488-N01006DLF](#) [2085124-1](#) [45985-0020](#) [QE-POL-POST](#) [QE50-DC-60](#) [DF22A-1416PCA](#)