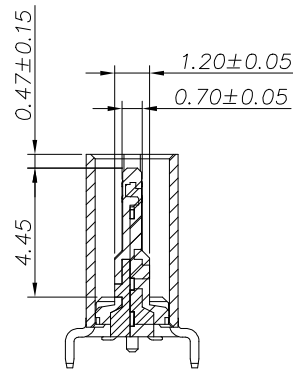
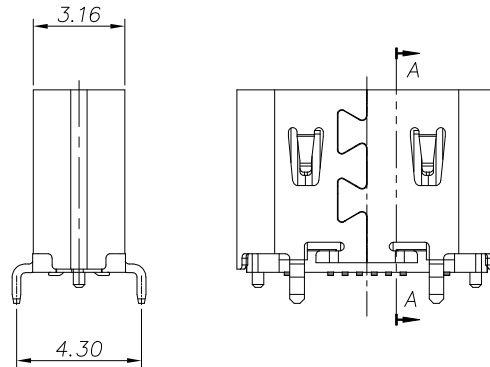
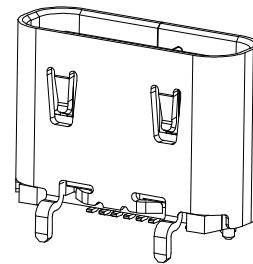
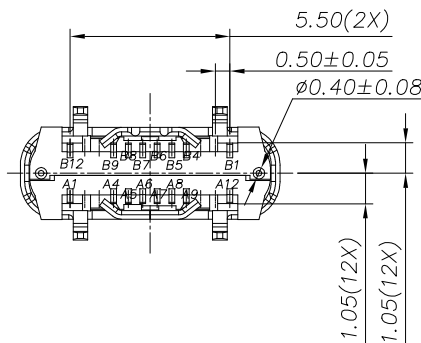
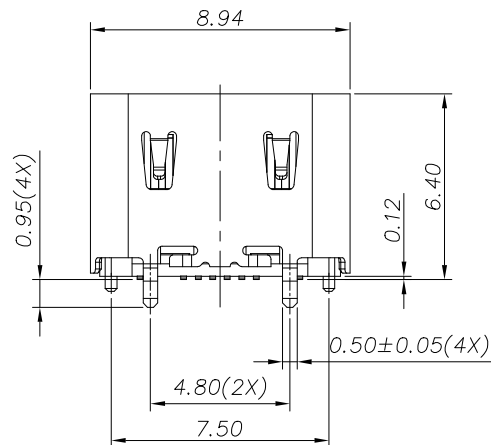
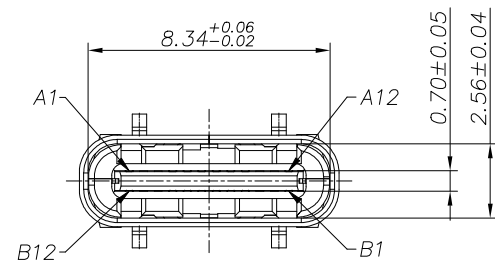


Amphenol FCI
© 2016 AFCI



SECTION: A-A

- NOTE:
- MATERIAL SPECIFICATION:
 - HOUSING: HIGH TEMPERATURE RESISTANT PLASTIC, UL94 V-0.
 - TERMINAL: COPPER ALLOY (C1814)
 - MID PLATE: STAINLESS STEEL (SUS301)
 - FRONT SHELL: STAINLESS STEEL (SUS304)
 - PLATING SPECIFICATION:
 - TERMINAL:
 - Ni 50u" MIN. UNDER PLATED OVER ALL.
 - Au G/F PLATED OF CONTACT.
 - FRONT SHELL:
 - Ni 50u" MIN. UNDER PLATED OVER ALL.
 - MID PLATE:
 - CLEAR ONLY
 - MECHANICAL PERFORMANCE,
 - INSERTION FORCE: 0.5~2.0kgf.
 - REMOVAL FORCE: 0.8kgf~2.0kgf.
 - DURABILITY: 10000 CYCLES.
 - ELECTRICAL PERFORMANCE,
 - VOLTAGE RATING: 5 V DC/AC (RMS. max)
CURRENT RATING: 5 AMPS. FOR TOTAL VBUS/GND PINS;
1.25AMPS FOR CC PIN, 0.25 AMPS. FOR ALL OTHER CONTACT.
 - LLCR:
 - VBUS & GND PINS AND OTHER PINS: 40mΩ/PIN MAX.
 - SHIELD: 50mΩ/MAX.
 - LLCR MAX. CHANGE OF ALL PINS: 10mΩ.
 - INSULATION RESISTANCE: 100MΩ MIN
 - DIELECTRIC WITHSTAND VOLTAGE, AC 100V FOR 1 MINUTE.
 - ENVIRONMENTAL PERFORMANCE:
 - OPERATING TEMPERATURE: -25°C~+85°C.
 - IR REFLOW:
 - THE PEAK TEMPERATURE ON THE BOARD SHALL BE MAINTAINED FOR 10 SECONDS AT 260°C.
 - PART NUMBER DESCRIPTION
10168207-00 0 X X LF

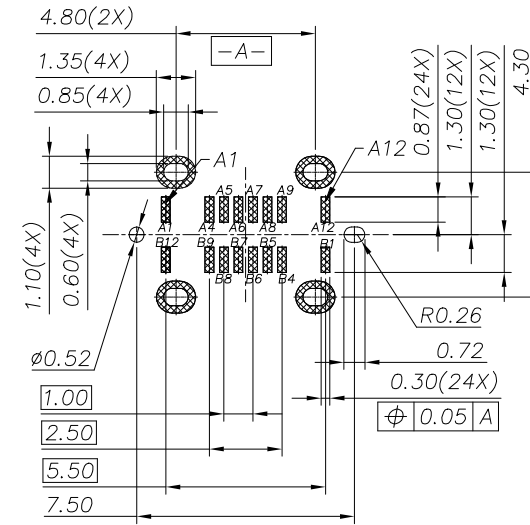
- PACKAGING
 - 1. TAPE AND REEL
- CONTACT PLATING
 - 1. GOLD FLASH

mat'l. code		surface ISO 1302 ✓		tolerance ISO 406 ISO 1101		projection		product family	
ltr		ecn no		dr		date		title	
A		New release		YY		2022/11/18		USB	
		angles		linear		mm		title	
		0°±2'		.00±.20		scale 1:1		USB TYPE C RECEPTACLE	
				.000±.10				16PIN VERTICAL SMT TYPE	
		dr		Y-Y Bao		2022/11/18		dwg no	
		engr		Y-Y Bao		2022/11/18		sheet 1 of 3	
		chr		L-Q Lei		2022/11/18		size	
		appd		Tim Yao		2022/11/18		A3	
sheet index		revision sheet						type Product Customer Drawing	

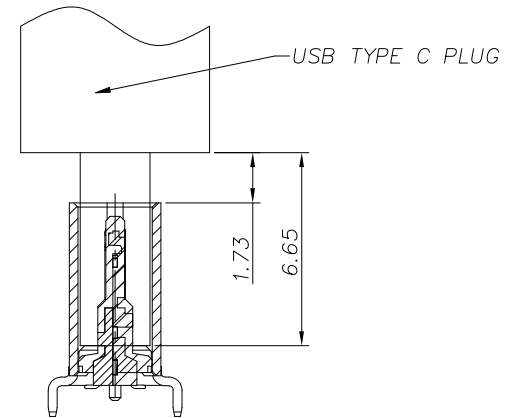
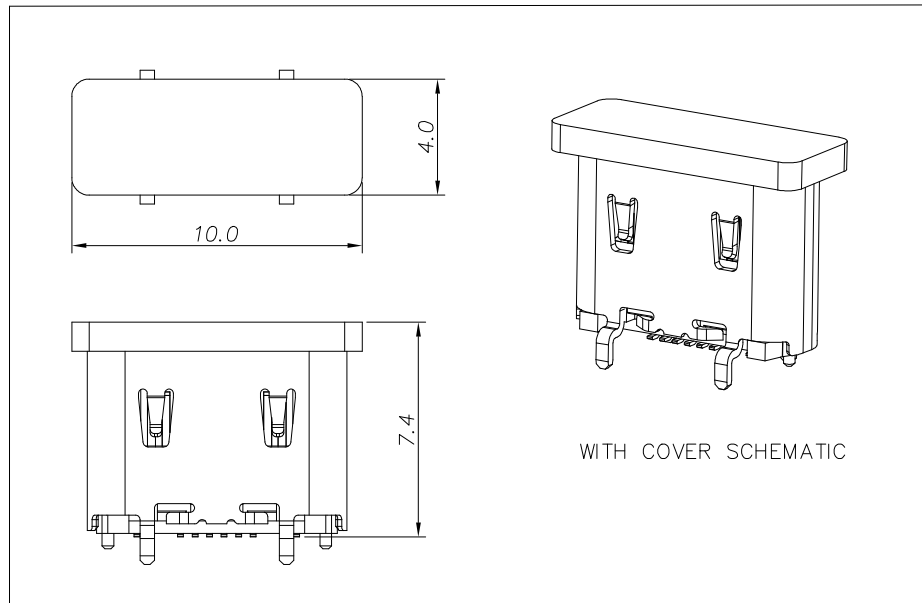


USB TYPE-C PIN ASSIGNMENTS

PIN NUMBER	SIGNAL NAME	PIN NUMBER	SIGNAL NAME
A1	GND	B12	GND
A4	Vbus	B9	Vbus
A5	CC1	B8	SBU2
A6	Dp1	B7	Dn2
A7	Dn1	B6	Dp2
A8	SBU1	B5	CC2
A9	Vbus	B4	Vbus
A12	GND	B1	GND



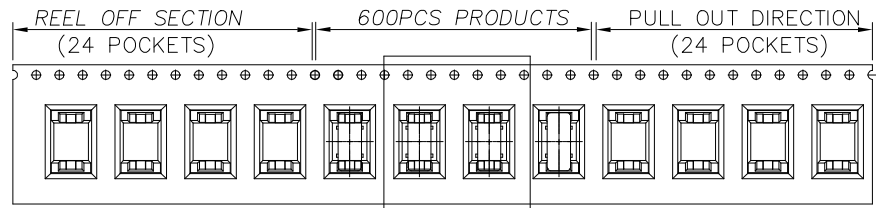
RECOMMENDED PCB LAYOUT(TOP VIEW)
THICKNESS 0.8±0.10MM;DEFAULT TOLERANCE:±0.05



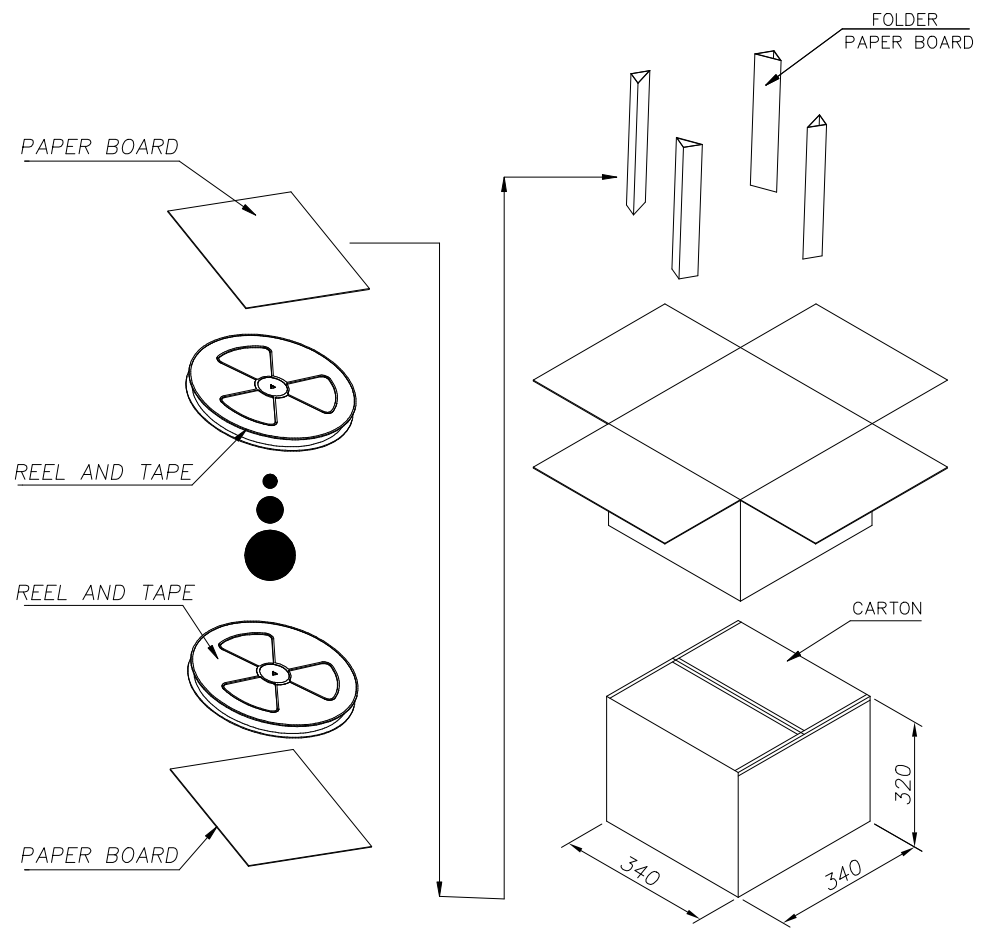
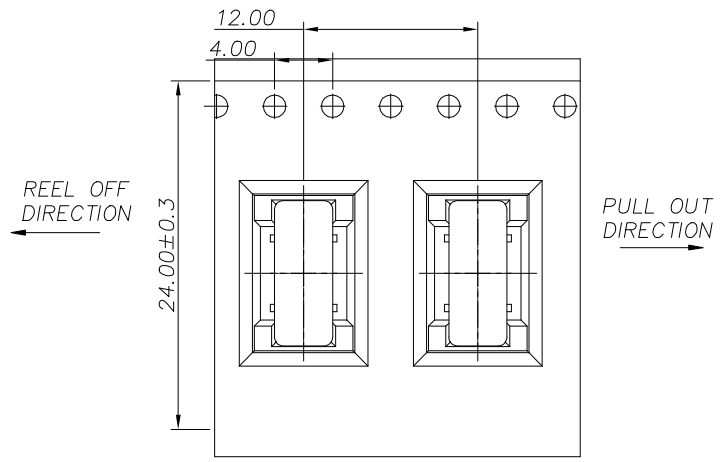
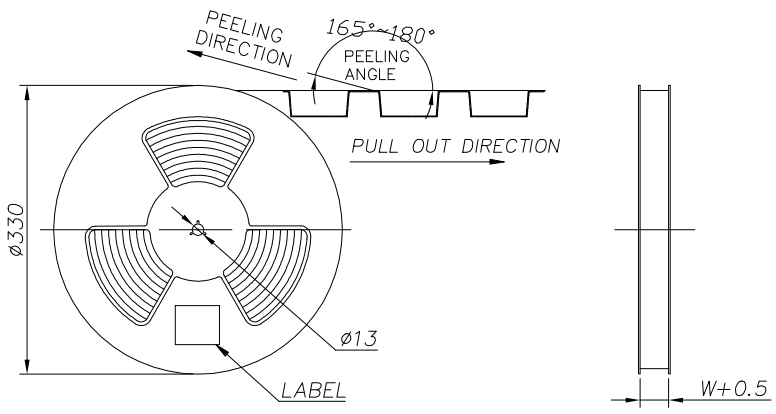
FEMALE AND MALE MATCHING DRAWING

mat'l. code		surface ISO 1302		tolerance ISO 406		projection ISO 1101		product family	
ltr		ecn no		dr		date		title	
A								USB	
								USB TYPE C RECEPTACLE	
								16PIN VERTICAL SMT TYPE	
								dwg no	
								sheet2 of 3	
								size	
								A3	
								type	
								Product Customer Drawing	
sheet index		revision sheet							

Amphenol FCI
 © 2016 AFCI



SEE DETAIL X



	REEL/TRAY	CARTON
CONNECTOR (PCS)	600	6000

mat'l. code		surface	tolerance	projection	product family
		ISO 1302 ✓	ISO 406 ISO 1101		USB
ltr	ecn no	dr	date	tolerances unless otherwise specified	title
A				angles linear	USB TYPE C RECEPTACLE 16PIN VERTICAL SMT TYPE
				0°±2'	mm
				.0±.30	scale 1:1
				.00±.20	dwg no
				.000±.10	sheet 3 of 3
		dr	Y-Y Bao	2022/11/18	size
		enr	Y-Y Bao	2022/11/18	A3
		chr	L-Q Lei	2022/11/18	10168207
		appd	Tim Yao	2022/11/18	type
					Product Customer Drawing
sheet index	revision sheet				



X-ON Electronics

Largest Supplier of Electrical and Electronic Components

Click to view similar products for [USB Connectors](#) category:

Click to view products by [Amphenol](#) manufacturer:

Other Similar products are found below :

[950](#) [MUSBD11135](#) [17-200721](#) [217450-1](#) [KMBVX-TH-5S-B30](#) [KUSBX-AS2N-W](#) [KUSBX-SMT2AP1S-W30](#) [935](#) [957](#) [30-498-6](#) [SK-60A-2](#)
[1734082-1](#) [30-470](#) [30-489](#) [30-541](#) [A-USB A-2P-C](#) [MIKROE-1451](#) [USBFTVSCCG](#) [1-1734084-2](#) [10135326-001LF](#) [4198](#) [USB-A-D-VT](#)
[USB-A-S-RA-TSMT](#) [1310-1023-02](#) [690-024-633-031](#) [UB-20PMFP-LC7001](#) [17-200011](#) [UB-20AFMM-LL7A01](#) [1040870124](#) [CAP-](#)
[WCCMLPB1](#) [CAP-WCCMLPC1](#) [2274475-3](#) [UB-20BMFA-SL8001](#) [914-614A2025S10200](#) [USB3FTV7SAGF059](#) [ZX40-B-5S-1500-](#)
[STDA\(30\)](#) [GSB3116344HR](#) [USB3FTV2SAZNF459](#) [USB3FTV7SAZNF459](#) [U221-041N-1WVS62-F5D](#) [HYCW153-USBD05-500B](#)
[HYCW219-USBD05-075B](#) [HYCW148-USBD05-117B](#) [HYCW149-USBD05-740B](#) [HYCW204-USBD05-108B](#) [HYCW214-USBA04-113B](#)
[HYCW213-USBA04-113B](#) [UB-20AMFM-SL7A01](#) [KMMX-BSMT35S-1-B30TR](#) [2345986-1](#)