

ASSY NO.	MS NO.	DIMENSIONS										
		A +.050 -.060	B THREAD (PLATED) CLASS 2A	C ±.031	D MIN FULL THD	E +.010 -.000	F +.020 -.010	G +.000 -.010	H DIA +.010 -.000	J ±.005	K	L DIA +.004 -.002
10-169208	3102E8S	.422	.5000-28 UNEF	.484	.391	.562	.672	.297	.375	.594	.875	.120
10-169210	10S		.6250-24 NEF						.500	.719	1.000	
10-169211	10SL		.6250-24 NEF						.625	.719	1.000	
10-169212	12S		.7500-20 UNEF		.450				.625	.812	1.094	
10-169213	12	.672	.7500-20 UNEF	.672	.625	.750	.860	.484	.625	.812	1.094	
10-169214	14S	.422	.8750-20 UNEF	.484	.450	.562	.672	.297	.750	.906	1.188	
10-169215	14	.672	.8750-20 UNEF	.672	.625	.750	.860	.484	.750	.906	1.188	
10-169216	16S	.422	1.0000-20 UNEF	.484	.450	.562	.672	.297	.875	.969	1.281	
10-169217	16	.672	1.0000-20 UNEF	.672	.625	.750	.860	.484	.875	.969	1.281	
10-169218	18	.641	1.1250-18 NEF				.891	.453	1.000	1.062	1.375	
10-169220	20		1.2500-18 NEF						1.125	1.156	1.500	
10-169222	22		1.3750-18 NEF						1.250	1.250	1.625	
10-169224	24	.578	1.5000-18 NEF			.812	.953		1.375	1.375	1.750	.147
10-169228	28	.578	1.7500-18 NS			.812	.953		1.625	1.562	2.000	.147
10-169232	32	.500	2.0000-18 NS			.875	1.031	.438	1.875	1.750	2.250	.173
10-169236	36		2.2500-16 UN						2.062	1.938	2.500	
10-169240	40		2.5000-16 UN						2.312	2.188	2.750	

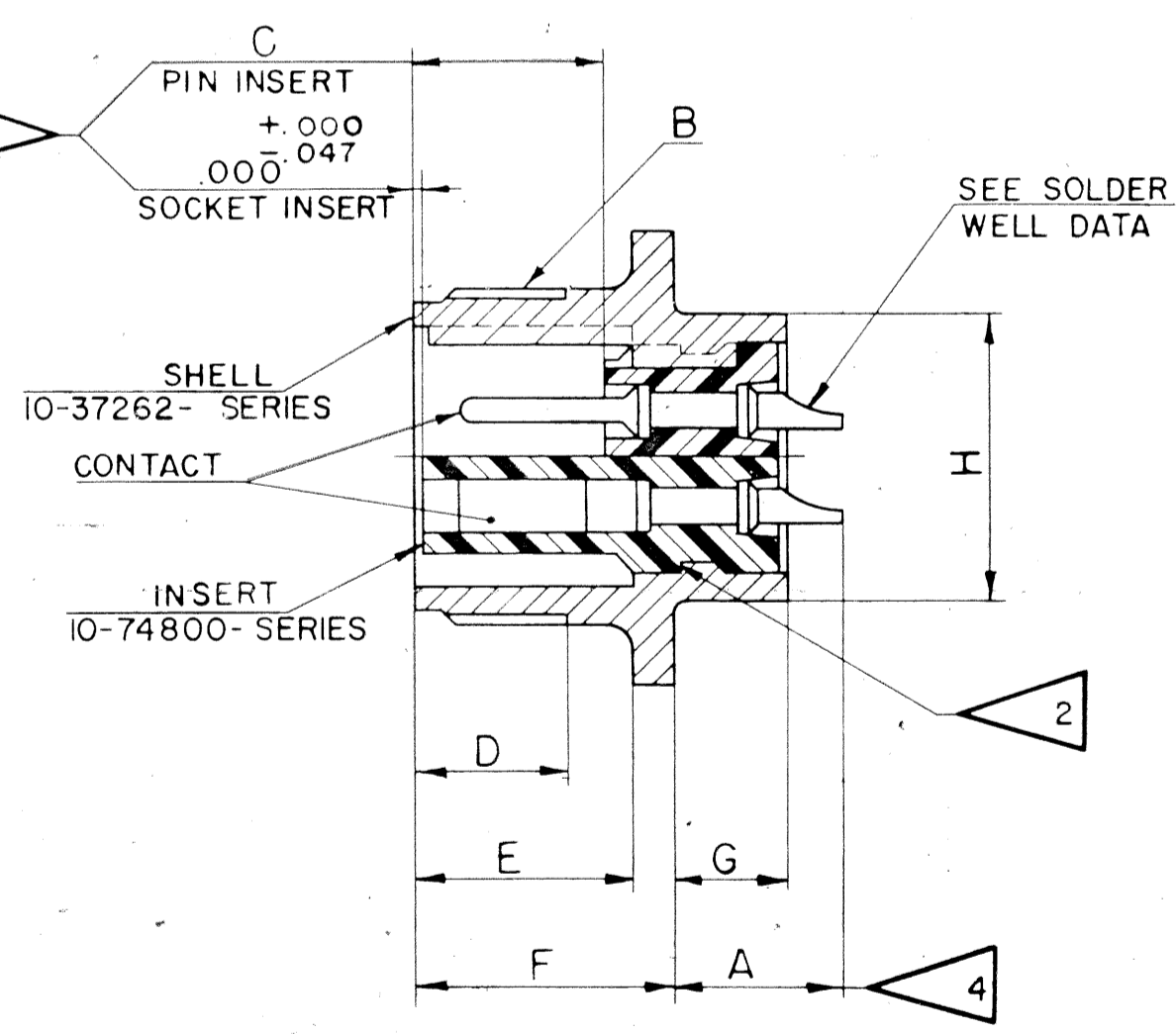
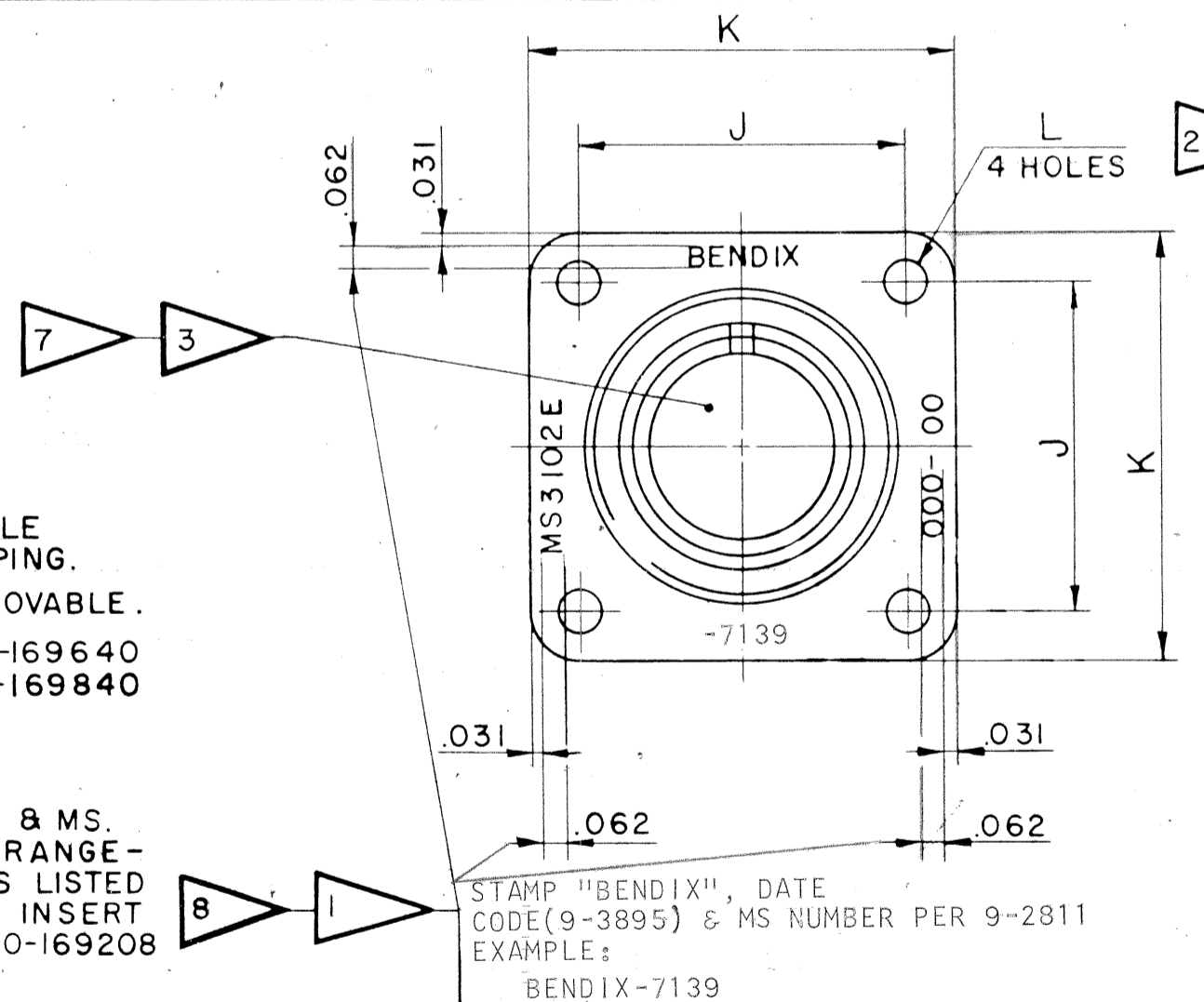
ACCESSORY
(NOT PART OF STANDARD ASSEMBLY)

FLANGE GASKET, PLAIN
10-40450-(SHELL SIZE)

FLANGE GASKET, SHIELDING
10-40450-(SHELL SIZE) S

NO	REV	DATE	BY
1	32525-374	10-69840 (NOTE 6)	6-20-57 BARTKOW
2	33750-61	ADD. NOTE 9 & DATA	1-21-58 MOORE
3	35535-8	REV. C COLUMN	9-2-59 SIEDSMAN
4	36235-4	ADD. NOTE 10, REV. SOLDER WELL DATA	2-1-60 DONLON
5	36525-329	REM. PD. COL. (B THD); REV. NOTE 3; ADD. NOTE 11	3-17-60 LALLI
A1	49062-1	(MFG); REM. NOTE 10	5-24-69 [Signature]
A2	49525-635	REV. NOTE 11	9-22-69 [Signature]
A3	51175-1	REM. NOTE 9, REVISION LETTER (C) (31' LCS)	11-3-69 [Signature]
A4	53249-13	ADD. 9-3895 (PROSPEC); REV. STAMP NOTE	1-6-72 [Signature]

11. FOR PART NUMBERS 10-169217-13, 10-169218-15, SEE INDIVIDUAL DRAWINGS.
- 10.
- 9.
8. SEE WORK ORDER FOR PERMISSIBLE ADDITIONAL OR ALTERNATE STAMPING.
7. INSERTS & CONTACTS ARE NOT REMOVABLE.
6. SEE DRAWINGS 10-169608 THRU 10-169640 & DRAWINGS 10-169808 THRU 10-169840 FOR MATING PLUG ASSEMBLIES.
5. TO COMPLETE ASSEMBLY NUMBER & MS. NO., ADD APPLICABLE INSERT ARRANGEMENT SUFFIX TO BASE NUMBERS LISTED ABOVE. TO DETERMINE DESIRED INSERT ARRANGEMENT, SEE PARTS LISTS 10-169208 THRU 10-169240.
4. INCREASE A DIMENSION BY .312 FOR SIZE "O" CONTACT ONLY.
3. FOR CONTACT SIZE, SPACING & SERVICE RATING, SEE DRAWINGS MS33680 THRU MS33690.
2. DIMENSIONS MUST BE MAINTAINED WHEN INSERTS ARE PRESSED FIRMLY AGAINST INDICATED SHOULDER.
1. THE UNITS ILLUSTRATED MEET THE PERFORMANCE REQUIREMENTS OF MS 3102E PER SPEC MIL-C-5015C.



10-169208 THRU
10-169240

USE OF THIS DOCUMENT IS UNLIMITED. DOCUMENTS REFERENCED HEREON CONTAIN LIMITED RIGHTS DATA.

CONTACT SIZE	0	4	8	12	16	16M
WELL DIA	469 ⁺⁰⁰⁵ ₋₀₀₃	332 ⁺⁰⁰⁵ ₋₀₀₃	209 ⁺⁰⁰⁴ ₋₀₀₂	116 ⁺⁰⁰⁴ ₋₀₀₂	078 ⁺⁰⁰⁴ ₋₀₀₂	078 ⁺⁰⁰⁴ ₋₀₀₂
WELL DEPTH	625	625	500	375	188	250

SCINILLA MAGNETO DIVISION
BENDIX AVIATION CORPORATION
SIDNEY, N.Y., U.S.A.

TEST
9-3106-1
ASSY
9-3238-1
SEE NOTE 1
9-2437-9-2811
9-3895

CONNECTOR, ELECTRICAL RECEPTACLE,
TYPE SG(1)FB

DATE TREAT SPEC

TOLERANCES UNLESS OTHERWISE SPECIFIED

ORIGINALS 2-1

NAME

Q. MAN CHECKER MAT. STDS. CH. D. MAN APPROVED SCALE

A. SM EY [Signature] 4-24-57 5-9-58 [Signature] 5-16-57 5-16-57

NONE

SUPERSEDES SUPERSEDED BY

10-169208 THRU
10-169240

10-69208/40

DWG SIZE C

TAB CODE 77820

NOTES: REF SYMBOL

X-ON Electronics

Largest Supplier of Electrical and Electronic Components

Click to view similar products for [Circular MIL Spec Connector](#) category:

Click to view products by [Amphenol](#) manufacturer:

Other Similar products are found below :

[89075GULPR](#) [0025-262-542](#) [0025-264-3014](#) [58-570121-04S](#) [0134-213-1208](#) [0134-213-2209](#) [0025-258-000](#) [60-042022-07P](#) [60-042022-19P](#)
[60-042022-23P](#) [60-042217-10P](#) [0114-201-1278](#) [012-0467-000](#) [602GB06EG24-61SN](#) [0134-201-1207](#) [0134-213-1006](#) [6104-207-2302](#) [6104-](#)
[208-1902](#) [61-168211-04P](#) [61-168617-10P](#) [6131-202-19149P](#) [6131-204-21149P](#) [6131-208-13149P](#) [6131-209-17149P](#) [6131-210-11149P](#) [6131-](#)
[211-19149P](#) [6131-216-19149P](#) [6131-259-21149P](#) [6131-259-23149P](#) [6131-265-17149P](#) [6131-265-19149P](#) [CS3100A18-1P-472](#) [CS3100A-36-](#)
[77P](#) [CS3101A-16-55P](#) [CS3102A-10SL-55P](#) [CS3102A-14S-58P](#) [CS3102A-32-17P](#) [CS3102A32-25S](#) [CS3102C18-4P-472](#)
[CS3106A10SL3S004](#) [CS3106A-18-73S](#) [CS3108A-14S-52S](#) [CS3108A-28-51S](#) [6162-233-1277](#) [6162-324-1231](#) [M243082296Z](#)
[M2884010AC1S1](#) [CT0-24-10SC](#) [CT0M20-7PCAU](#) [M28840/17AC1G3](#)