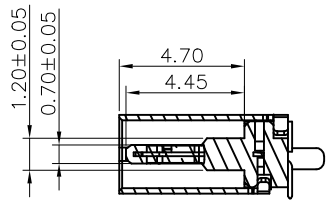
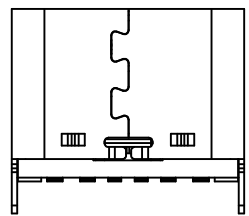
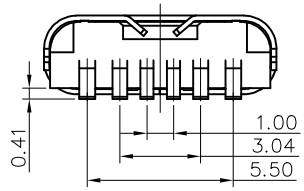
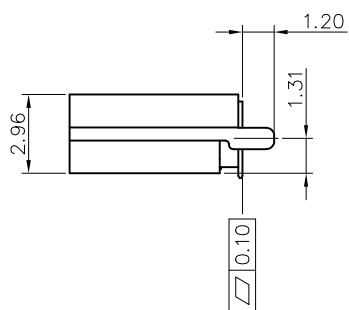
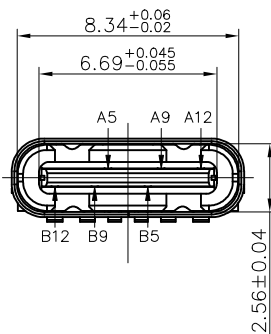
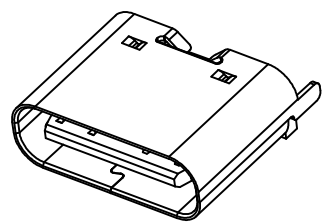
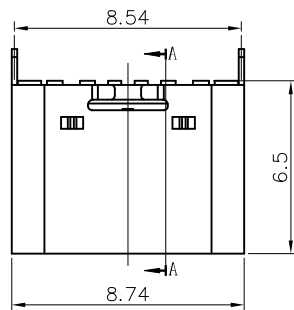


Amphenol FCI

© 2016 AFCI



A-A

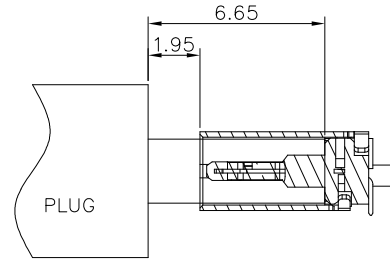
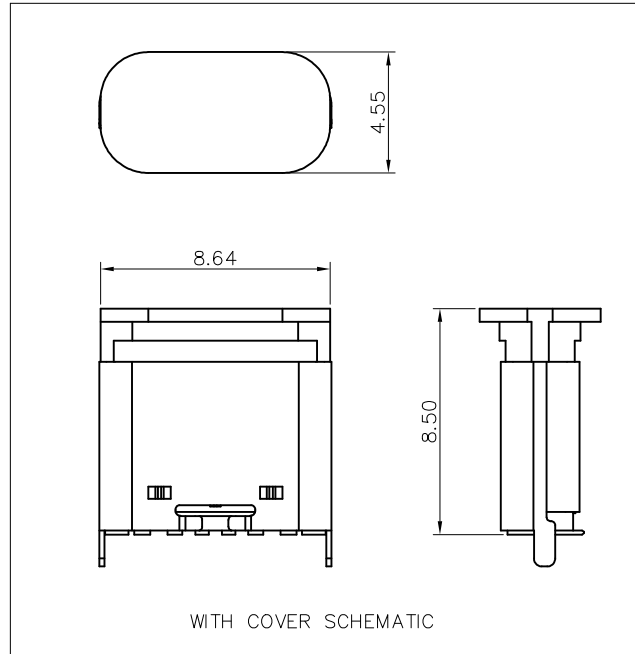
NOTE:

- MATERIAL SPECIFICATION:
  - HOUSING: HIGH TEMPERATURE RESISTANT PLASTIC, UL94 V-0 BLACK.
  - TERMINAL: COPPER ALLOY
  - MID PLATE: STAINLESS STEEL
  - FRONT SHELL: STAINLESS STEEL
- PLATING SPECIFICATION:
  - TERMINAL:
    - Ni 50u" MIN. UNDER PLATED OVER ALL.  
THE FUNCTIONAL AREA OF CONTACT: REFER THE PART NUMBER 0.8u" MIN GOLD PLATING OF THE SOLDER AREA
  - FRONT SHELL:
    - Ni 30u" MIN. UNDER PLATED OVER ALL.
  - MID PLATE
    - CLEAR ONLY
- MECHANICAL PERFORMANCE,
  - INSERTION FORCE: 0.5~2.0kgf.
  - REMOVAL FORCE: 0.8kgf~2.0kgf.
  - DURABILITY: 10000 CYCLES.
- ELECTRICAL PERFORMANCE,
  - VOLTAGE RATING: 5 V DC/AC (RMS. max)  
CURRENT RATING: 3A  
1.5AMPS MIN FOR VBUS PIN,  
0.25 AMPS. FOR ALL OTHER CONTACT.
  - LLCR:
    - VBUS & GND PINS AND OTHER PINS: 40mΩ/PIN MAX.  
SHIELD: 50mΩ/MAX.  
LLCR MAX. CHANGE OF ALL PINS: 10mΩ.
  - INSULATION RESISTANCE: 100MΩ MIN
  - DIELECTRIC WITHSTAND VOLTAGE, AC 100V FOR 1 MINUTE.
- ENVIRONMENTAL PERFORMANCE:
  - OPERATING TEMPERATURE: -25°C~+85°C.
- REFLOW:
  - THE PEAK TEMPERATURE ON THE BOARD SHALL BE MAINTAINED FOR 10 SECONDS AT 260°C.
- PRODUCT PART NUMBER DESCRIPTION:
 

10173568 - 0 0 0 X X LF

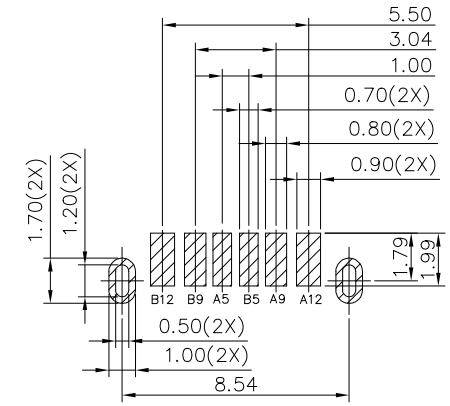
  - LEAD FREE
  - PACKING TYPE:
    - TAPE AND REEL
  - CONTACT AREA PLATING
    - 0.8u" MIN GOLD

mat'l. code		surface		tolerance		projection		product family	
		ISO 1302 ✓		ISO 406 ISO		11011		USB	
ltr	ecn no	dr	date	tolerances unless otherwise specified		mm		title	
A	-	TY	2024/02/28	angles	.X±.35	← mm →		USB TYPE C VERTICAL	
				linear	.XX±.25			6PIN SMT TYPE	
				0'±2'	.XXX±.15	scale 1:1		dwg no	
				dr	Tian-Yu Tang	2022/08/15		sheet 1 of 2	
				engr	Tian-Yu Tang	2022/08/15		size	
				chr	L-Q Lei	2022/08/15		10173568	
				appd	Tim Yao	2022/08/15		A3	
sheet index		revision sheet				Amphenol FCI		type Product Customer Drawing	



PIN ASSIGNMENTS

A5	CC1	B12	GND
A9	VBUS	B9	VBUS
A12	GND	B5	CC2
PIN	SIGNAL NAME	PIN	SIGNAL NAME



*RECOMMENDED PCB LAYOUT(TOP VIEW)*  
*THICKNESS 1.00±0.10MM;DEFAULT TOLERANCE:±0.05*

mat'l. code		surface ISO 1302 ✓		tolerance ISO 406 ISO 1101		projection 1101		product family USB		
ltr	ecn no	dr	date	tolerances unless otherwise specified		mm		title USB TYPE C VERTICAL 6PIN SMT TYPE		
A				angles	.X±.35	← mm →		dwg no		
				linear	.XX±.25	scale 1:1		sheet 2 of 2		
				0°±2'	.XXX±.15			size A3		
		dr	Tian-Yu Tang	2022/08/15			Amphenol FCI		type Product Customer Drawing	
		engr	Tian-Yu Tang	2022/08/15					10173568	
		chr	L-Q Lei	2022/08/15						
		appd	Tim Yao	2022/08/15						
sheet index	revision sheet									

## X-ON Electronics

Largest Supplier of Electrical and Electronic Components

*Click to view similar products for [USB Connectors](#) category:*

*Click to view products by [Amphenol](#) manufacturer:*

Other Similar products are found below :

[950](#) [MUSBD11135](#) [17-200721](#) [217450-1](#) [KMBVX-TH-5S-B30](#) [KUSBX-AS2N-W](#) [KUSBX-SMT2AP1S-W30](#) [935](#) [957](#) [30-498-6](#) [SK-60A-2](#)  
[1734082-1](#) [30-470](#) [30-489](#) [30-541](#) [A-USB A-2P-C](#) [MIKROE-1451](#) [USBFTVSCCG](#) [1-1734084-2](#) [10135326-001LF](#) [4198](#) [USB-A-D-VT](#)  
[USB-A-S-RA-TSMT](#) [1310-1023-02](#) [690-024-633-031](#) [UB-20PMFP-LC7001](#) [17-200011](#) [UB-20AFMM-LL7A01](#) [1040870124](#) [CAP-](#)  
[WCCMLPB1](#) [CAP-WCCMLPC1](#) [2274475-3](#) [UB-20BMFA-SL8001](#) [914-614A2025S10200](#) [USB3FTV7SAGF059](#) [ZX40-B-5S-1500-](#)  
[STDA\(30\)](#) [GSB3116344HR](#) [USB3FTV2SAZNF459](#) [USB3FTV7SAZNF459](#) [U221-041N-1WVS62-F5D](#) [HYCW153-USBD05-500B](#)  
[HYCW219-USBD05-075B](#) [HYCW148-USBD05-117B](#) [HYCW149-USBD05-740B](#) [HYCW204-USBD05-108B](#) [HYCW214-USBA04-113B](#)  
[HYCW213-USBA04-113B](#) [UB-20AMFM-SL7A01](#) [KMMX-BSMT35S-1-B30TR](#) [2345986-1](#)