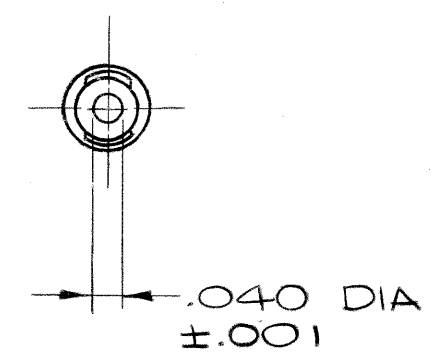
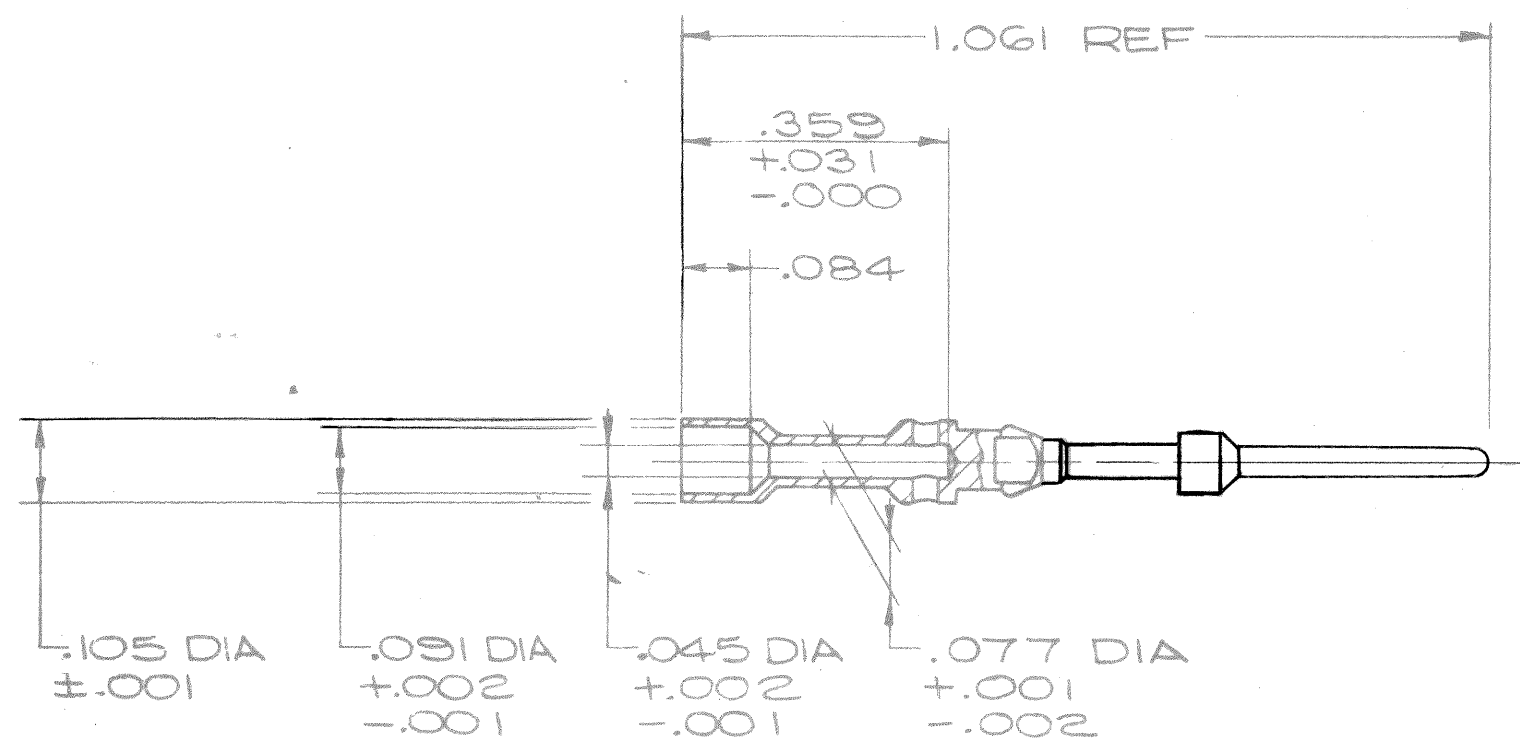


REL NO. 35508-153		REVISIONS		
CHG NO.	SYM	DESCRIPTION	DATE	APPROVED
42531 -38	A1	(MFG); REDRAWN, WAS SIZE A	1-3-64 Cheer-man	<i>J. Land</i>
42075 -4	A2	REM 9-3013 (PRO SPEC)	4-29-64 Lambrech	<i>J. Hayes</i>
45525 -137	A3	CHG PICT.	11-17-65 MICHAELS	<i>J. Hayes</i>
57076 -15	B	(MFG); WAS .3000 SQ IN. (NOTE 1), 9-4804 (PROCESS SPEC); REM NOTE 2	10-20-75 Randall	<i>J. Hayes</i>



MADE FROM 10-189000-20B

DRAWING CONTROLLED BY ELECTRICAL CONNECTOR DESIGN GROUP

USE OF THIS DOCUMENT IS UNLIMITED. DOCUMENTS REFERENCED HEREON CONTAIN LIMITED RIGHTS DATA.

ITEM NO.	QTY REQD	DESCRIPTION	PART NUMBER	CODE IDENT	ZONE
<b>PARTS LIST</b>					
UNLESS OTHERWISE SPECIFIED					
LINEAR DIMENSIONS ARE IN INCHES. TOLERANCES: 3 PLACES ±.010; 2 PLACES ±.03; 1 PLACE ±.1; ANGLES ±2°. OTHER STANDARDS PER SCINTILLA SPEC 9-3800 AND MIL-STD 8.					
MATERIAL SPEC		PROCESS SPEC		DRAWN: VIMISLIK DATE: 10-29-58	
				CHECKED: <i>ED Horton</i> DATE: 1-16-64	
				MATERIAL: <i>Powder 1-16-64</i>	
				STANDARDS: <i>J. B. Cantini 1-16-64</i>	
				DRAFTING: <i>Reed</i>	
				ENGINEERING: <i>J. M. Harrison 1-16-64</i>	
				DEVELOPMENT: <i>Art Kelly 1/16/64</i>	
<b>SCINTILLA DIVISION</b>					
THE <b>Bendix</b> CORPORATION SIDNEY, NEW YORK, U.S.A.					
TITLE: CONTACT, PIN, ELECTRICAL CONNECTOR, SIZE 20 CEIG, GOLD PLATED, .000050					
CODE IDENT NO.		SIZE		REF	
77820		B		10-1018-202	
SCALE 4/1			WT		SHEET

OTHERS 72-191000/24 NEXT ASSEMBLY

3 ALL DIMENSIONS ARE AFTER PLATING.  
2  
1. MEAN SURFACE AREA .3097 SQ IN.

NOTES: REF SYMBOL

GOLD PLATE 9-6800-2 SEE NOTE 1

## X-ON Electronics

Largest Supplier of Electrical and Electronic Components

*Click to view similar products for [Circular MIL Spec Contacts](#) category:*

*Click to view products by [Amphenol](#) manufacturer:*

Other Similar products are found below :

[006-1189-20](#) [M39029/106-616](#) [71-VEAM](#) [809-023](#) [809-111](#) [811393-000](#) [850-014](#) [97-45-1418P-5\(920\)](#) [97-45-1418S-4](#) [D-602-0106CS076](#)  
[AIC12-14P](#) [AIC16-16PG](#) [AIC8-12P](#) [AIC8-8SG](#) [AIC8-8SRAD](#) [1495044-1](#) [BACC47CP2T](#) [BACC47CP3S](#) [BACC47DP4](#) [BACC47GC1A](#)  
[BACC47GN1](#) [16968/2C](#) [173-900245-91](#) [241611N001](#) [2560-220-2031](#) [27915-38T9](#) [27964-38T112](#) [2M809-118](#) [97-67-36-20](#) [AIC12-16P](#)  
[AIC16-14SG](#) [AIC16-18PG](#) [AIC16-18S](#) [AIC16-20PG](#) [AIC4-4PG](#) [CE102S-18](#) [M39029/30-221](#) [M39029/77-430](#) [416-2020-088I](#) [MDM-](#)  
[21SH003B-F222](#) [BA-4120-50LD](#) [BACC47CN2](#) [BACC47GC3A](#) [BACC47GD3A](#) [BACC47GM1](#) [52G137 REV A](#) [CB2-18-21PS](#) [D-602-](#)  
[1116CS2727](#) [D-602-1117CS2727](#) [419-2082-102](#)