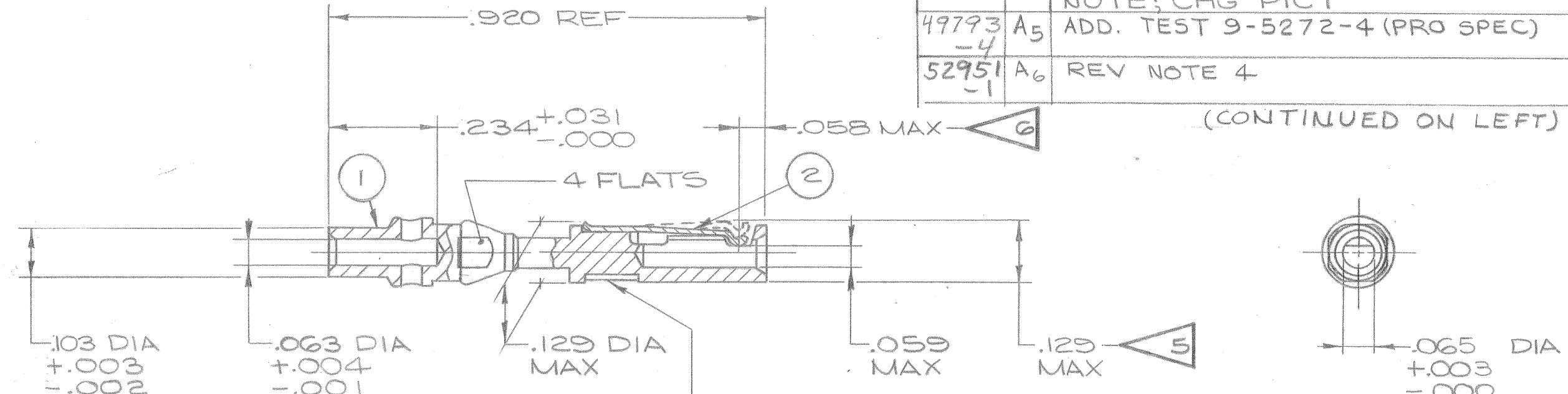


CHG NO.	LTR	DESCRIPTION	DATE	APPR'D
57076 -22	B	(MFG); WAS GOLD PLATE 9-4804 (PROCESS SPEC), 4760 SQ IN. (NOTE 1); REM NOTE 2	10.20.75 <i>Randall</i>	<i>Hayes</i>
76468 -1	C	(CL II) WAS 4.25 OZ. (3.00 OZ, NOTE 4)	9.25.85 <i>Prescott</i>	<i>B. J. Gardner</i>
21127-1	D	(CL II) REM NOTE 4	11.1.88 <i>McElligott</i>	<i>P. Messitt</i>

REL NO. 35508-153		REVISIONS			
CHG NO.	SYM	DESCRIPTION	DATE	APPROVED	
42531 -41	A1	(MFG); REDRAWN SAME SIZE	1-3-64 <i>Cheeseman</i>	<i>Hayes</i>	
42075 -4	A2	REM 9-3013 (PRO SPEC)	4-29-64 <i>Lambrecht</i>	<i>Hayes</i>	
44931 -6	A3	WAS .0642 +.0024 -.0000	7-13-65 <i>Randall</i>	<i>Hayes</i>	
46740 -6	A4	WAS 3/1 (NOTE 4), 2 OR 4 FLATS PERMISSIBLE; REV LOCAL FORM NOTE; CHG PICT	8/5/66 <i>MESZAROS</i>	<i>Hayes</i>	
49793 -4	A5	ADD. TEST 9-5272-4 (PRO SPEC)	12-11-68 <i>Randall</i>	<i>Hayes</i>	
52951 -1	A6	REV NOTE 4	11.30.71 <i>Randall</i>	<i>Hayes</i>	



(CONTINUED ON LEFT)

- 6. INDICATED DIMENSION TO BE FROM END OF SOCKET TO POINT OF ENGAGEMENT OF SPRING AND A .0625 ±.0002 DIA SQUARE-END PIN.
- 5. INDICATED DIMENSION TO BE OVER END OF SPRING WHEN .0635 +.0002 -.0000 DIA PIN IS ENGAGED WITH SOCKET.

FORM SPRING SNUGLY AROUND SOCKET AFTER PLATING

USE OF THIS DOCUMENT IS UNLIMITED. DOCUMENTS REFERENCED HEREON CONTAIN LIMITED RIGHTS DATA.

DRAWING CONTROLLED BY ELECTRICAL CONNECTOR DESIGN GROUP

- 3. ALL DIMENSIONS ARE AFTER PLATING.
  - 2.
  - 1. MEAN SURFACE AREA OF CONTACT .5164 SQ IN.
- NOTES: REF SYMBOL

ITEM NO.	QTY REQD	DESCRIPTION	PART NUMBER	CODE IDENT	ZONE
2	1	SPRING	10-117914		
1	1	CONTACT, SOCKET	10-189006-16B		

& OTHERS  
72-191000/24  
NEXT ASSEMBLY

UNLESS OTHERWISE SPECIFIED		DRAWN: <i>MAKOWSKI</i>	DATE: 11-7-58
LINEAR DIMENSIONS ARE IN INCHES. TOLERANCES: 3 PLACES ±.010; 2 PLACES ±.03; 1 PLACE ±.1; ANGLES ±2°. OTHER STANDARDS PER SCINTILLA SPEC 9-3800 AND MIL-STD 8.		CHECKED: <i>W. Horton</i>	DATE: 1-16-69
MATERIAL SPEC	PROCESS SPEC TEST 9-5272-4	MATERIAL: <i>Bronze 1/16 in</i>	STANDARDS: <i>9-3800 1-16-64</i>
	GOLD PLATE 9-6800-2 SEE NOTE 1	DRAFTING: <i>Reed</i>	ENGINEERING: <i>W. Horton 1/16/69</i>
		DEVELOPMENT: <i>W. Horton K. Ullig 6/16/64</i>	

THE **Bendix** CORPORATION  
SCINTILLA DIVISION  
SIDNEY, NEW YORK, U.S.A.

TITLE: CONTACT, SOCKET, ELECTRICAL CONNECTOR, SIZE 16 CE, GOLD PLATED, .000050, ASSY OF

CODE IDENT NO.	SIZE	REF	SHEET
77820	B	10-117921-162	

SCALE 4/1 WT

## X-ON Electronics

Largest Supplier of Electrical and Electronic Components

*Click to view similar products for [Circular MIL Spec Contacts](#) category:*

*Click to view products by [Amphenol](#) manufacturer:*

Other Similar products are found below :

[006-1189-20](#) [M39029/106-616](#) [71-VEAM](#) [809-023](#) [809-111](#) [811393-000](#) [850-014](#) [97-45-1418P-5\(920\)](#) [97-45-1418S-4](#) [D-602-0106CS076](#)  
[AIC12-14P](#) [AIC16-16PG](#) [AIC8-12P](#) [AIC8-8SG](#) [AIC8-8SRAD](#) [1495044-1](#) [BACC47CP2T](#) [BACC47CP3S](#) [BACC47DP4](#) [BACC47GC1A](#)  
[BACC47GN1](#) [16968/2C](#) [173-900245-91](#) [241611N001](#) [2560-220-2031](#) [27915-38T9](#) [27964-38T112](#) [2M809-118](#) [97-67-36-20](#) [AIC12-16P](#)  
[AIC16-14SG](#) [AIC16-18PG](#) [AIC16-18S](#) [AIC16-20PG](#) [AIC4-4PG](#) [CE102S-18](#) [M39029/30-221](#) [M39029/77-430](#) [416-2020-088I](#) [MDM-](#)  
[21SH003B-F222](#) [BA-4120-50LD](#) [BACC47CN2](#) [BACC47GC3A](#) [BACC47GD3A](#) [BACC47GM1](#) [52G137 REV A](#) [CB2-18-21PS](#) [D-602-](#)  
[1116CS2727](#) [D-602-1117CS2727](#) [419-2082-102](#)