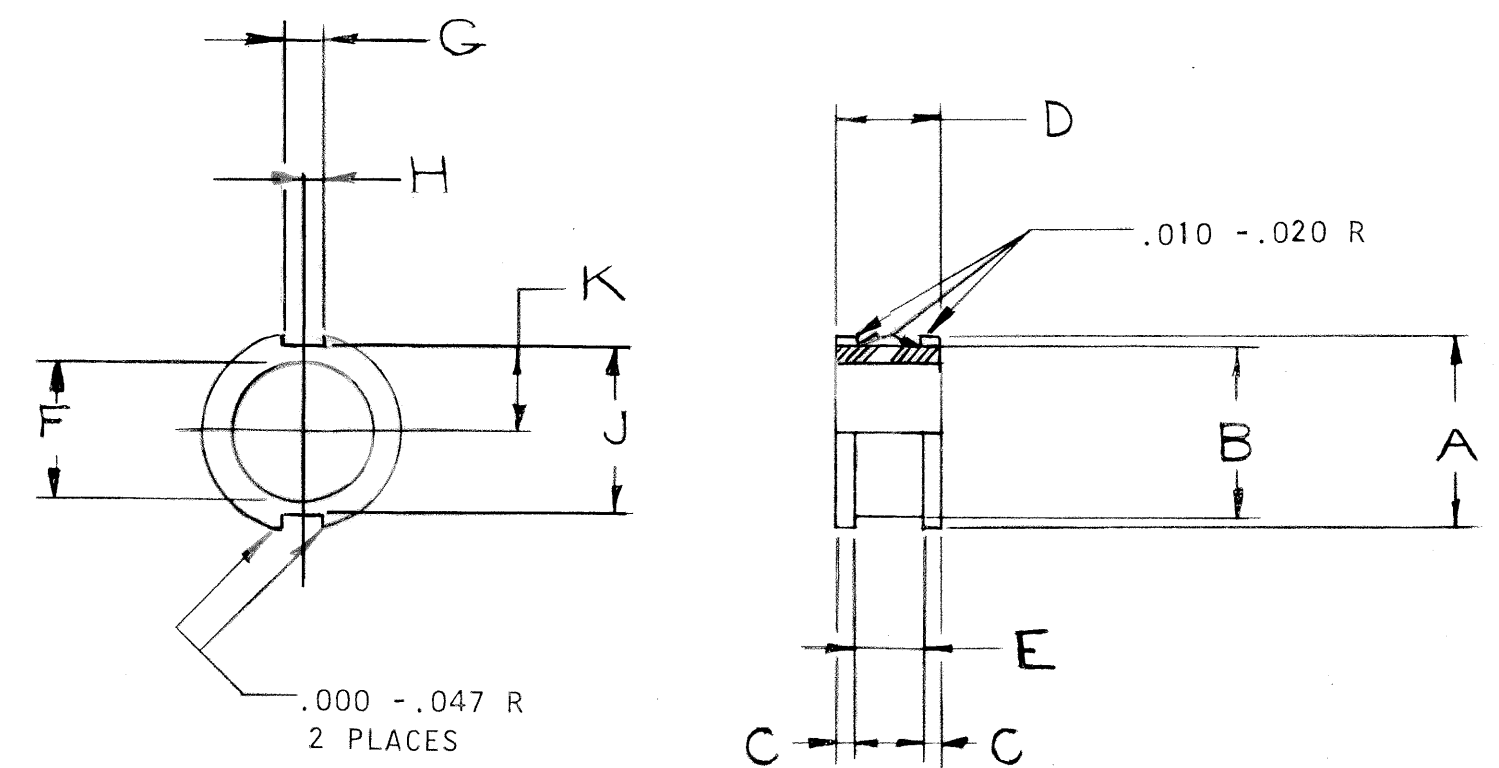


PART NUMBER	A		B		C		D		E		F		G		H		J		K		RELEASE	
	DIA	DIA	DIA	DIA	DIA	DIA	DIA	DIA	DIA	DIA	DIA	DIA	DIA	DIA	DIA	DIA	DIA	DIA	DIA	DIA		
10-230935-101	.344	.250	.062	.468	.344	.125	.125	.062	.250	.125	.125	.062	.250	.125	.125	.062	.250	.125	.125	.062	.250	43532-53
-121	.406	.312																				
-122	.406	.312																				
-141	.532	.438																				
-142																						
-143																						
-161	.656	.562																				
-162																						
-163																						
-181	.719	.625																				
-182																						
-183																						
-201	.844	.750	.094	.532	.344	.250	.250	.250	.250	.250	.250	.250	.250	.250	.250	.250	.250	.250	.250	.250	.250	
-202																						
-203																						
-232	1.094	1.000																				
-241	1.032	.938																				
-242																						
-243																						
-244																						
-252	1.235	1.141	.094	.532	.344	1.000	.281	.141	1.141	.572												

REL NO. 43532-53		REVISIONS		DATE	APPROVED
CHG NO.	SYM	DESCRIPTION			
47513 -26	A2	REDRAWN, SAME SIZE		JAGGER 8/4/67	<i>J. Jagger</i>
53127 -1	A3	WAS 9-4300 (MATL SPEC)		10-28-71 C. Gaudin	<i>Hay P</i>
57506 -8	B	(MFG) ADD & REL -252		10-16-75 KNIFFEN	<i>F. Hill</i>



DRAWING CONTROLLED BY ELECTRICAL CONNECTOR DESIGN GROUP

USE OF THIS DOCUMENT IS UNLIMITED. DOCUMENTS REFERENCED HEREON CONTAIN LIMITED RIGHTS DATA.

ITEM	QTY REQD	PART NUMBER	DESCRIPTION	NOTE
<b>PARTS LIST</b>				
UNLESS OTHERWISE SPECIFIED LINEAR DIMENSIONS ARE IN INCHES. TOLERANCES: .XXX ± .010, .XX ± .03, .X ± .1, ANGLES ± 2°. OTHER STANDARDS PER 9-3800 AND MIL-STD-8. NOTE REF		DRAWN: MATTHEWS DATE: 4/21/61 CHECKED: <i>Balantia</i> DATE: 8-24-67 MATERIAL: <i>RPE 8/24/67</i> STANDARDS: <i>Balantia</i> DRAFTING: <i>Matthews</i> ENGINEERING: <i>J.M. Harmon</i> DEVELOPMENT:	THE <b>Bendix</b> CORPORATION ELECTRICAL COMPONENTS DIVISION SIDNEY NEW YORK U.S.A. TITLE: GROMMET, SILICONE RUBBER, CABLE CLAMP, PTS-SE	
MATERIAL SPEC SILICONE RUBBER 9-6500 SEE NOTE 1		PROCESS SPEC	SIZE: C CODE IDENT NO.: 77820 SCALE: NONE	10-230935 SHEET
72-232600/50 & OTHERS		NEXT ASSEMBLY	REF: 10-36565	

1. ENGINEERING SOURCE APPROVAL REQUIRED.  
NOTES:

## X-ON Electronics

Largest Supplier of Electrical and Electronic Components

*Click to view similar products for* [Circular MIL Spec Tools, Hardware & Accessories](#) *category:*

*Click to view products by* [Amphenol](#) *manufacturer:*

Other Similar products are found below :

[809-199-3](#) [001104](#) [300 04](#) [0113-201-2025](#) [600-006-16](#) [600-079-06](#) [M10-101982-143](#) [M10-101982-163](#) [M10-101983-183](#) [M10-150912-083](#)  
[M10-454396-008](#) [602GB18808](#) [M225201-06](#) [M24758-20E21](#) [M2887610-BC](#) [M2887615-CD](#) [M38999/9-19B](#) [62GB-812-10](#)  
[630A007NF083A](#) [630B007M051A](#) [630BJ003NF032H](#) [M39029/29-215](#) [650FS002NF16](#) [M81969-14-02](#) [660-008NF14S7-01](#) [660-](#)  
[009M22H8-03](#) [660-013NF19U6-210](#) [660-015M10S6-17](#) [660-015NF10S5-01](#) [660-015NF14R3.5-01](#) [660-023NF19H6-19](#) [660-024N09S5-104](#)  
[660-024NF11S12-01](#) [660-024NF11S3-01](#) [660-050XM17F4-01](#) [660-068NF25R6-30G](#) [660-070M23S8-04](#) [660-073MTCH9-20](#) [M83723/60-](#)  
[116RC](#) [M83723/61-18W](#) [M83723/61-218R](#) [M83723/61-224W](#) [667-224NF16](#) [M85049/126S11N](#) [M85049130-07M](#) [M85049140-09BC](#)  
[M85049/41-16A W/B](#) [M85049/75-14-1](#) [M8504980-8](#) [M85049/94-10-A](#) [M85049/94-12](#)