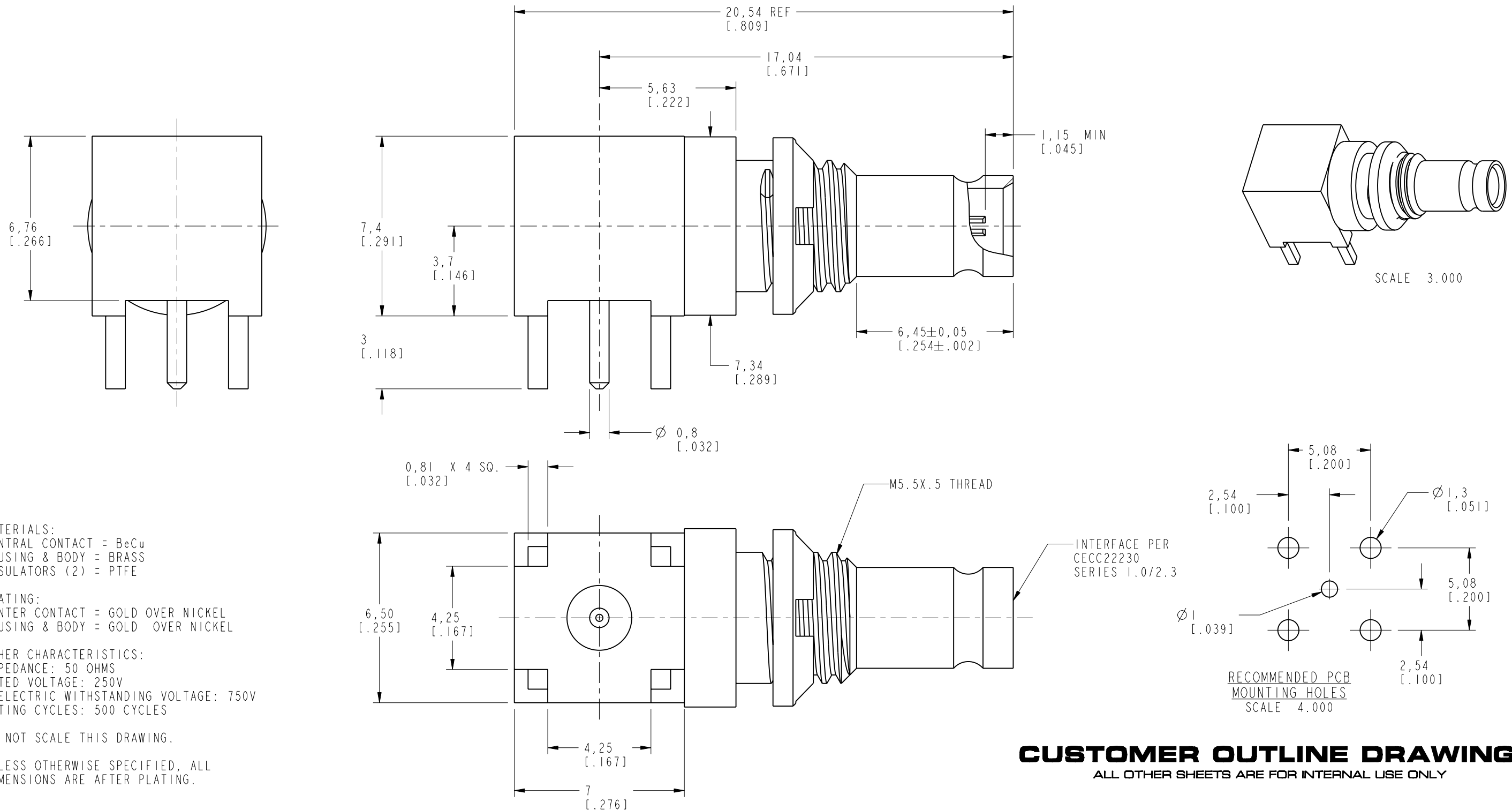
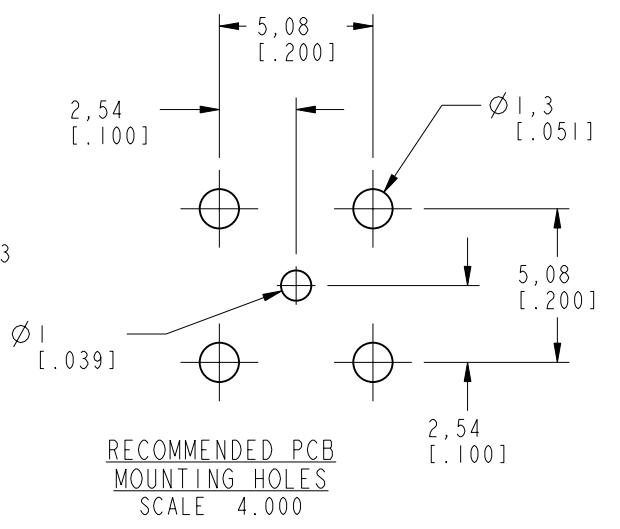
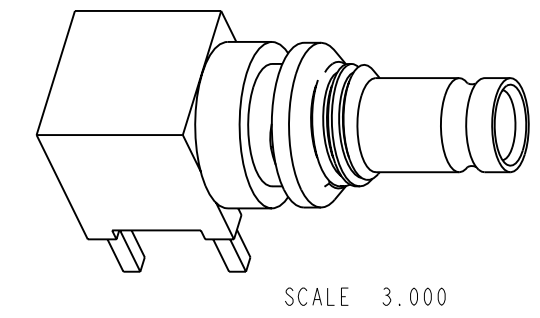


102-909-04		REVISIONS			
DRAWING NO.	REV	DESCRIPTION	DATE	ECO	APPR
THIRD ANGLE PROJ.	A	RELEASE TO MFG.	12/13/01	43919	CPM
	B	SEE SHEET 1	11/7/02	44274	CPM



- NOTES:
- MATERIALS:  
CENTRAL CONTACT = BeCu  
HOUSING & BODY = BRASS  
INSULATORS (2) = PTFE
  - PLATING:  
CENTER CONTACT = GOLD OVER NICKEL  
HOUSING & BODY = GOLD OVER NICKEL
  - OTHER CHARACTERISTICS:  
IMPEDANCE: 50 OHMS  
RATED VOLTAGE: 250V  
DIELECTRIC WITHSTANDING VOLTAGE: 750V  
MATING CYCLES: 500 CYCLES
  - DO NOT SCALE THIS DRAWING.
  - UNLESS OTHERWISE SPECIFIED, ALL DIMENSIONS ARE AFTER PLATING.



**CUSTOMER OUTLINE DRAWING**  
ALL OTHER SHEETS ARE FOR INTERNAL USE ONLY

UNLESS OTHERWISE SPECIFIED, DIMENSIONS ARE IN INCHES AND TOLERANCES ARE: 0.5 - 6mm ±0.2mm    6 - 30mm ±0.4mm    30 - 120mm ±0.6mm	MATERIAL	DRAWN C. McGRATH	DATE 12/11/01	TITLE <b>1.0/2.3 R/A PCB JACK</b>		Amphenol Amphenol Corporation Communication and Network Products Division Danbury, CT U.S.A. 06810
	REFERENCE EAR# 157 GEN# 102-909-02_ASSY 615X-1671-100	ENGINEER O. BARTHELMES	DATE 12/11/01			
NOTICE - These drawings, specifications, or other data (1) are, and remain the property of Amphenol Corp. (2) must be returned upon request; and (3) are confidential and not to be disclosed to any person other than those to whom they are given by Amphenol Corp. The furnishing of these drawings, specifications, or other data by Amphenol Corp., or to any other person to anyone for any purpose is not to be regarded by implication or otherwise in any manner licensing, granting rights or permitting such holder or any other person to manufacture, use or sell any product, process or design, patented or otherwise, that may in any way be related to or disclosed by said drawings, specifications, or other data.		CAD FILE I:\1023\102-909-04	CODE ID 74868	DWG SIZE B	DRAWING NO. 102-909-04	SCALE: 6.0:1    SHEET 2 OF 2
						REV B

## X-ON Electronics

Largest Supplier of Electrical and Electronic Components

*Click to view similar products for [RF Connectors / Coaxial Connectors](#) category:*

*Click to view products by [Amphenol](#) manufacturer:*

Other Similar products are found below :

[8915-1511-000](#) [89674-0827](#) [6001-7071-019](#) [6002-7051-003](#) [6002-7551-202](#) [6059674-1](#) [619550-1](#) [630059-000](#) [M39030/3-01N](#) [M3933/25-36N](#) [6500-7071-046](#) [6769](#) [CX050L2AQ](#) [7002-1542-011](#) [7004-1512-000](#) [7009-1511-004](#) [7010-1511-000](#) [7029-1511-060](#) [7101-1541-010](#) [7101-1571-002](#) [7105-1521-002](#) [7145-1521-002](#) [7203-1571-003](#) [7209-1511-011](#) [7210-1511-015](#) [7210-1511-019](#) [73137-5015](#) [73216-2241](#) [7325-1512-000](#) [73404-2300](#) [7405-1521-005](#) [7405-1521-802](#) [7406-1521-005](#) [8527](#) [8547](#) [FS11V](#) [8808-1511-001](#) [9049-9513-000](#) [9074-9513-000](#) [9101-9573-002](#) [910A205F](#) [9130-9573-002](#) [PL11SC-026](#) [PL375-33](#) [PL40-5](#) [PL71-9](#) [PL74C-221](#) [PL75MC-217](#) [PL803-7](#) [980-8666-005](#)