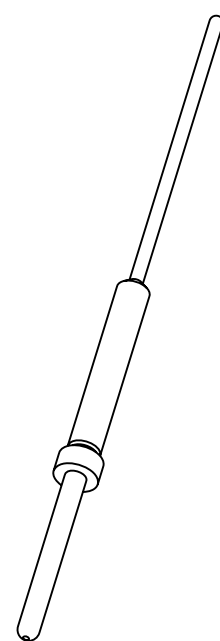
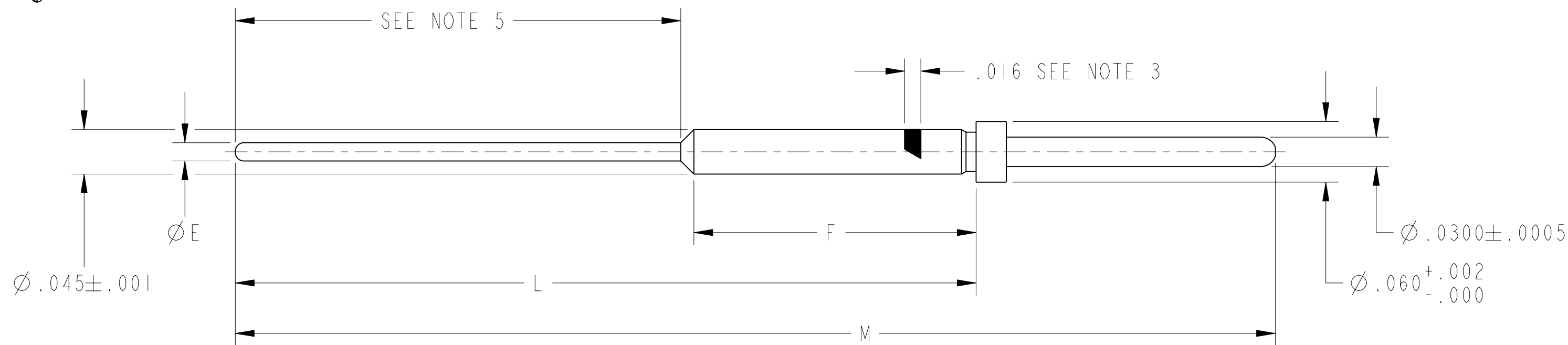


REV	AN	SHEET 1 OF 4	10-407552
REVISIONS			
LTR	DESCRIPTION	DATE	
AJ	SEE RCD DWG FOR REV AB THRU AH (CL11) SEE ENG CHG ECN: A6987	JHEATH 4/30/09	
AK	(CL 11) ADD -N- RELEASE 10-407552-56() -N- DATA ECN:A9463	05/18/2010 BIVIANO	
AL	(CL 11) SEE CHG NOTICE ECN: A9969-0000	7/21/10	
AM	(CL 11) ADD -61/-67 ECN: B4774-0000	3/5/13	
AN	(CL 11) ADD -68 THRU -70 ECN: B5960-0000	12/11/13	



SCALE 4



5. INDICATED AREA SHALL BE CAPABLE OF MEETING THE SOLDERABILITY REQUIREMENTS OF 9-8825 AFTER STEAM AGING.

4. PROCESS SPEC:  
9-1180, 9-6700  
9-6800, 9-8825, 9-7599, 9-9111

3. IF NOT PREVIOUSLY METAL STAMPED, BLACK INK STAMP TRADEMARK 9-6700 TYPE IV, PER 9-1180 IN APPROXIMATE POSITION SHOWN AFTER PLATING. DIRECTION OPTIONAL. TRADEMARK MAY BE SOLID AS SHOWN.

2. ALL DIMENSIONS ARE AFTER PLATING.

1. ADD LAST CHARACTER TO SUFFIX FOR FINISH:

SUFFIX LAST CHARACTER	FINISH	
2	GOLD PLATE	9-6800-2
3	GOLD PLATE	9-6800-3
4	GOLD PLATE	9-6800-4
F	GOLD PLATE	9-6800-F
H	GOLD PLATE	9-6800-H
5	GOLD PLATE	9-6800-5
6	BRIGHT TIN PLATE	9-7599
X	GOLD, PALLADIUM, NI	9-9111
C	GOLD PLATE	9-6800-C

NOTES:

THE USE OF THIS DOCUMENT IS UNLIMITED. HOWEVER, DOCUMENTS REFERENCED HEREON MAY CONTAIN LIMITED RIGHTS DATA.

N/A  
NEXT ASSEMBLY

PRO/ENGINEER INFORMATION  
Pro/e Model Used:  
10-407552.ASSEM  
Drawing Name:  
10-407552

UNLESS OTHERWISE SPECIFIED	SPECIFICATIONS	POS	QTY	PART NUMBER	DESCRIPTION	NOTE
LINEAR DIMENSIONS ARE IN INCHES TOLERANCES: .XXXX = ±.0005 ANGLES= ±2° .XXX = ±.010 .XX = ±.03 .X = ±.1 DIM. & TOL. PER ASME Y14.5M; DRM PER MIL-DTL-31000; OTHER Amphenol Stds. PER 9-3800 LEGENDS: =FLAG NOTE CALL OUT REFERENCE ONLY	MATERIAL SPEC.	PARTS LIST				
	N/A	<b>AMPHENOL CORPORATION</b> 40-60 DELAWARE AVENUE SIDNEY, N.Y. 13858 <b>CONTACT, PIN,            ELECTRICAL CONNECTOR,            SIZE 22M, TYPE JT-R, PCB</b>				
PROCESS SPEC.	SEE NOTE 4	APPROVALS PREPARED BY: JHEATH ENGINEER IN CHARGE: LRATCHFORD DESIGN MANAGER: ADAVIS DESIGN ACTIVITY GROUP: MIL AERO DATE: 07-May-04 THIRD ANGLE PROJECTION				
		SIZE	CAGE CODE	DOCUMENT NO.	REV.	
		C	77820	10-407552	AN	
		SCALE: 10.0	REF. 10-251415-23H	SHEET 1 OF 4		

10-407552 DOCUMENT NO. SHEET 1 OF 4 REV. AN

RELEASE STATE Released REVISION AN VERSION 1

FORMAT: C-U-E-I

DOCUMENT NO 10-407552

SHEET 2 OF 4

REV AN

C

B

A

PART NUMBER	MADE FROM	$\phi E$ $\pm .001$	F	L	M REF	MEAN SURFACE AREA SQ. IN.	
10-407552-01( )	10-407552-01B	.019	.376 <sup>+.000</sup> -.015	.865 <sup>+.000</sup> -.015	1.162	.1070	
10-407552-02( )	10-407552-02B		.486	1.048±.003	1.345	.1333	
10-407552-03( )	10-407552-03B		.280	.782±.005	1.079	.1045	
10-407552-04( )	10-407552-04B		.376	.642 <sup>+.000</sup> -.015	.939	.0937	
10-407552-05( )	10-407552-05B		.376	.754 <sup>+.000</sup> -.015	1.051	.1004	
10-407552-06( )	10-407552-06B		.280	.513±.005	.810	.0892	
10-407552-07( )	10-407552-07B		.355	.500±.005	.797	.1014	
10-407552-08( )	10-407552-08B		.280	.585±.005	.882	.0931	
10-407552-09( )	10-407552-09B		.240	.390±.003	.687	.0854	
10-407552-10( )	10-407552-10B		.376	1.138±.007	1.435	.1308	
10-407552-11( )	10-407552-11B		.280	.523±.005	.820	.0893	
10-407552-12( )	10-407552-12B		.460	.676 <sup>+.000</sup> -.015	.973	.1091	
10-407552-13( )	10-407552-13B		.376	.747±.005	1.044	.1087	
10-407552-14( )	10-407552-14B		.375±.010	.536 REF	.833 <sup>+.006</sup> -.010	.0884	
10-407552-15( )	10-407552-15B		1.142 <sup>+.000</sup> -.015	1.447±.003	1.744	.1853	
10-407552-16( )	10-407552-16B		.303±.003	.451±.003	.751	.0860	
10-407552-17( )	10-407552-17B		.109±.003	.392±.003	.689	.0753	
10-407552-18( )	10-407552-18B		.453±.003	1.017±.003	1.314	.1396	
10-407552-19( )	10-407552-19B		.453±.003	1.217±.003	1.514	.1515	
10-407552-20( )	10-407552-20B		.395±.002	.595±.005	.892	.1035	
10-407552-21( )	10-407552-21B		.452±.005	.687±.005	.984	.1137	
10-407552-22( )	10-407552-22B		NOT AVAILABLE				
10-407552-23( )	10-407552-23B		.670±.005	.938±.003	1.235	.1465	
10-407552-24( )	10-407552-24B		.280 <sup>+.000</sup> -.015	.563±.005	.860	.0922	
10-407552-25( )	10-407552-25B		.460 <sup>+.000</sup> -.015	.873±.005	1.170	.1254	
10-407552-26( )	10-407552-26B		.376 <sup>+.000</sup> -.015	1.000±.005	1.297	.1262	
10-407552-27( )	10-407552-27B		.592±.010	.780±.010	1.077	.1307	
10-407552-28( )	10-407552-28B		.460 <sup>+.000</sup> -.015	.783±.005	1.080	.1201	
10-407552-29( )	10-407552-29B		.670±.005	.988±.005	1.285	.1495	
10-407552-30( )	10-407552-30B		.280±.010	.503±.010	.800	.0881	

NOTES: SEE NOTE 1

THE USE OF THIS DOCUMENT IS UNLIMITED. HOWEVER, DOCUMENTS REFERENCED HEREON MAY CONTAIN LIMITED RIGHTS DATA.

FORMAT: C-U-E-1

DOCUMENT NO 10-407552

SHEET 2 OF 4

REV AN

SIZE <b>C</b>	CAGE CODE <b>77820</b>	DOCUMENT NO <b>10-407552</b>	REV <b>AN</b>
SCALE: 5.0		REF: 10-251415-23H	SHEET 2 OF 4

VERSION 1

REVISION AN

RELEASE STATE Released

REV AN

SHEET 2 OF 4

DOCUMENT NO 10-407552

DOCUMENT NO. 10-407552

SHEET 3 OF 4

REV. AN

C

B

A

D

C

VERSION 1

REVISION AN

RELEASE STATE Released

REV. AN

SHEET 3 OF 4

DOCUMENT NO. 10-407552

PART NUMBER	MADE FROM	$\phi E$ $\pm .001$	F	L	M REF	MEAN SURFACE AREA SQ. IN.
10-407552-31( )	10-407552-31B	.019	.454±.008	1.027±.005	1.324	.1408
10-407552-32( )	10-407552-32B		.454±.008	.897±.005	1.194	.1324
10-407552-33( )	10-407552-33B		.376 <sup>+</sup> .000 -.015	.815±.005	1.112	.1040
10-407552-34( )	10-407552-34B		.280±.010	.735 <sup>+</sup> .000 -.015	1.032	.1017
10-407552-35( )	10-407552-35B		.520±.005	.758 <sup>+</sup> .000 -.015	1.055	.1235
10-407552-36( )	10-407552-36B		.376 <sup>+</sup> .000 -.015	.898±.004	1.195	.1090
10-407552-37( )	10-407552-37B		.280 <sup>+</sup> .000 -.015	.672±.003	.969	.0960
10-407552-38( )	10-407552-38B		.700±.010	.950±.005	1.247	.1473
10-407552-39( )	10-407552-39B		.280±.010	.805±.005	1.102	.1036
10-407552-40( )	10-407552-40B		.453±.003	1.436±.003	1.733	.1534
10-407552-41( )	10-407552-41B		.234±.003	.395±.003	.692	.0844
10-407552-42( )	10-407552-42B		.250±.010	.412±.005	.709	.0882
10-407552-43( )	10-407552-43B		.520±.005	.865±.005	1.162	.1187
10-407552-44( )	10-407552-44B		.330±.005	.699±.005	.996	.1017
10-407552-45( )	10-407552-45B		.229±.005	.754 <sup>+</sup> .000 -.015	1.051	.0965
10-407552-46( )	10-407552-46B		.280 <sup>+</sup> .000 -.015	.532±.005	.829	.0881
10-407552-47( )	10-407552-47B		.376 <sup>+</sup> .000 -.015	.650±.005	.947	.1027
10-407552-48( )	10-407552-48B		1.250±.005	1.710±.005	2.007	.2630
10-407552-49( )	10-407552-49B		.460 <sup>+</sup> .000 -.015	.845±.005	1.142	.1272
10-407552-50( )	10-407552-50B		.280 <sup>+</sup> .000 -.015	.625±.003	.922	.0934
10-407552-51( )	10-407552-51B		.280 <sup>+</sup> .000 -.015	.699±.005	.996	.0976
10-407552-52( )	10-407552-52B		.280 <sup>+</sup> .000 -.015	.595±.005	.892	.0916
10-407552-53( )	10-407552-53B		.670±.005	1.073±.005	1.370	.1506
10-407552-54( )	10-407552-54B		.520±.005	.920±.005	1.217	.1300

NOTES: SEE NOTE 1

THE USE OF THIS DOCUMENT IS UNLIMITED. HOWEVER, DOCUMENTS REFERENCED HEREON MAY CONTAIN LIMITED RIGHTS DATA.

FORMAT: C-U-E-1

DOCUMENT NO. 10-407552

SHEET 3 OF 4

REV. AN

SIZE <b>C</b>	CAGE CODE <b>77820</b>	DOCUMENT NO. <b>10-407552</b>	REV. <b>AN</b>
SCALE: 5.0	REF: 10-251415-23H	SHEET 3 OF 4	

10-407552

SHEET 4 OF 4

AN

C

B

A

PART NUMBER	MADE FROM	$\phi E$ $\pm .001$	F	L	M REF	MEAN SURFACE AREA SQ. IN.
10-407552-55( )	10-407552-55B	.019	.280±.005	1.015±.005	1.312	.1155
10-407552-56( )	10-407552-56B	.019	.979±.005	1.205±.005	1.502	.1833
10-407552-57( )	10-407552-57B	.019	.280 <sup>+.000</sup> <sub>-.015</sub>	.950±.003	1.247	.1117
10-407552-58( )	10-407552-58B	.019	.460 <sup>+.000</sup> <sub>-.015</sub>	.930±.003	1.227	.1253
10-407552-59( )	10-407552-59B	.019	.234±.005	.523±.005	.820	.0837
10-407552-60( )	10-407552-60B	.019	.256±.003	.706±.005	1.003	.0959
10-407552-61( )	10-407552-61B	.019	.460 <sup>+.000</sup> <sub>-.015</sub>	1.150±.005	1.447	.1384
10-407552-62( )	10-407552-62B	.019	.200 <sup>+.000</sup> <sub>-.015</sub>	.560±.003	.857	.0831
10-407552-63( )	10-407552-63B	.019	.100±.003	.625±.003	.922	.0812
10-407552-64( )	10-407552-64B	.019	.376 <sup>+.000</sup> <sub>-.015</sub>	1.154±.005	1.451	.1354
10-407552-65( )	10-407552-65B	.019	.280±.005	1.242±.005	1.539	.1328
10-407552-66( )	10-407552-66B	.019	.460 <sup>+.000</sup> <sub>-.015</sub>	.798±.005	1.095	.1210
10-407552-67( )	10-407552-67B	.019	.280 <sup>+.000</sup> <sub>-.015</sub>	.350±.003	.647	.0795
10-407552-68( )	10-407552-68B	.019	.670±.005	.903±.003	1.200	.1492
10-407552-69( )	10-407552-69B	.019	.280 <sup>+.000</sup> <sub>-.015</sub>	.605±.005	.902	.0969
10-407552-70( )	10-407552-70B	.019	.460 <sup>+.000</sup> <sub>-.015</sub>	.765±.005	1.062	.1223

SEE NOTE 1

NOTES:

THE USE OF THIS DOCUMENT IS UNLIMITED. HOWEVER, DOCUMENTS REFERENCED HEREON MAY CONTAIN LIMITED RIGHTS DATA.

DOCUMENT NO. <b>10-407552</b>	SHEET 4 OF 4	REV. <b>AN</b>
----------------------------------	--------------	-------------------

SIZE <b>C</b>	CAGE CODE <b>77820</b>	DOCUMENT NO. <b>10-407552</b>	REV. <b>AN</b>
SCALE: 10.0	REF: 10-251415-23H	SHEET 4 OF 4	

D

C

1

AN

Released

AN

SHEET 4 OF 4

10-407552

AN

## X-ON Electronics

Largest Supplier of Electrical and Electronic Components

*Click to view similar products for [Circular MIL Spec Contacts](#) category:*

*Click to view products by [Amphenol](#) manufacturer:*

Other Similar products are found below :

[006-1189-20](#) [M39029/106-616](#) [71-VEAM](#) [809-023](#) [809-111](#) [811393-000](#) [850-014](#) [97-45-1418P-5\(920\)](#) [97-45-1418S-4](#) [D-602-0106CS076](#)  
[AIC12-14P](#) [AIC16-16PG](#) [AIC8-12P](#) [AIC8-8SG](#) [AIC8-8SRAD](#) [1495044-1](#) [BACC47CP2T](#) [BACC47CP3S](#) [BACC47DP4](#) [BACC47GC1A](#)  
[BACC47GN1](#) [16968/2C](#) [173-900245-91](#) [241611N001](#) [2560-220-2031](#) [27915-38T9](#) [27964-38T112](#) [2M809-118](#) [97-67-36-20](#) [AIC12-16P](#)  
[AIC16-14SG](#) [AIC16-18PG](#) [AIC16-18S](#) [AIC16-20PG](#) [AIC4-4PG](#) [CE102S-18](#) [M39029/30-221](#) [M39029/77-430](#) [416-2020-088I](#) [MDM-](#)  
[21SH003B-F222](#) [BA-4120-50LD](#) [BACC47CN2](#) [BACC47GC3A](#) [BACC47GD3A](#) [BACC47GM1](#) [52G137 REV A](#) [CB2-18-21PS](#) [D-602-](#)  
[1116CS2727](#) [D-602-1117CS2727](#) [419-2082-102](#)