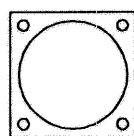
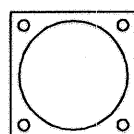


**ACCESSORIES**

(NOT PART OF STANDARD ASSEMBLY)

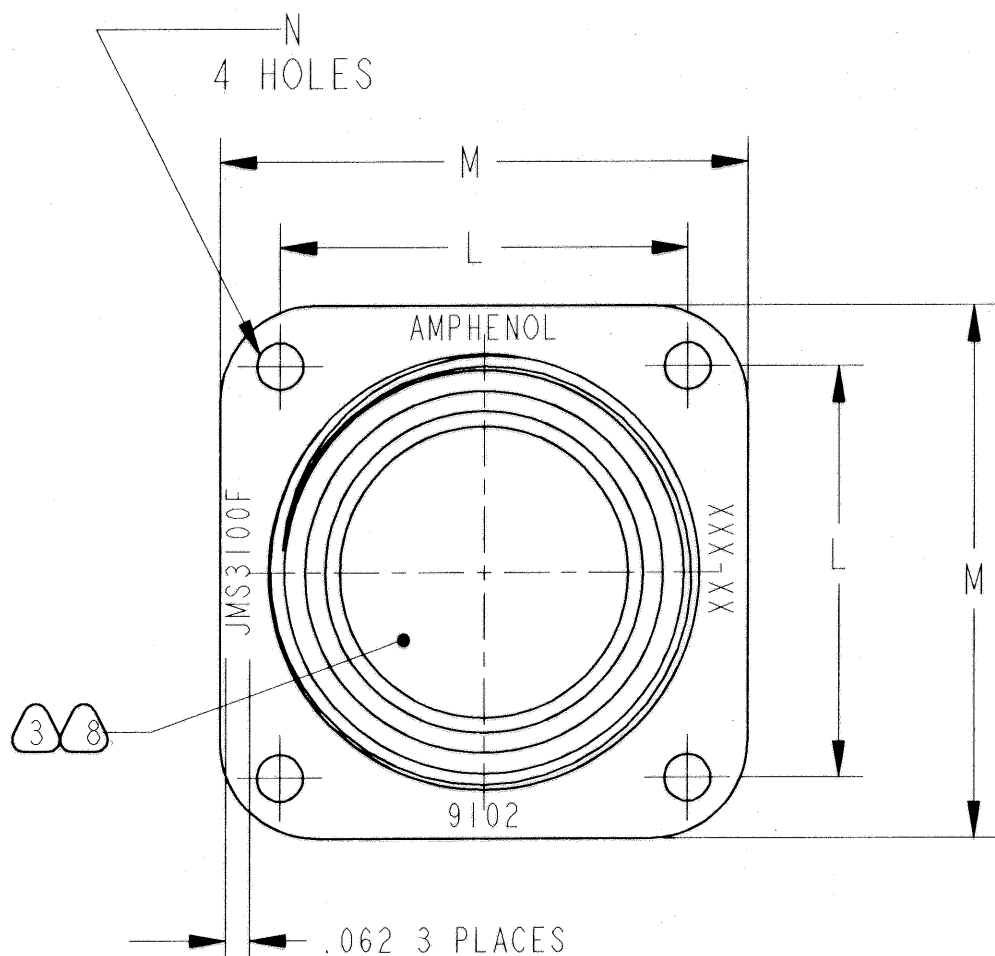


FLANGE GASKET,  
PLAIN  
10-40450-(SHELL SIZE)



FLANGE GASKET,  
SHIELDING  
10-40450-(SHELL SIZE)

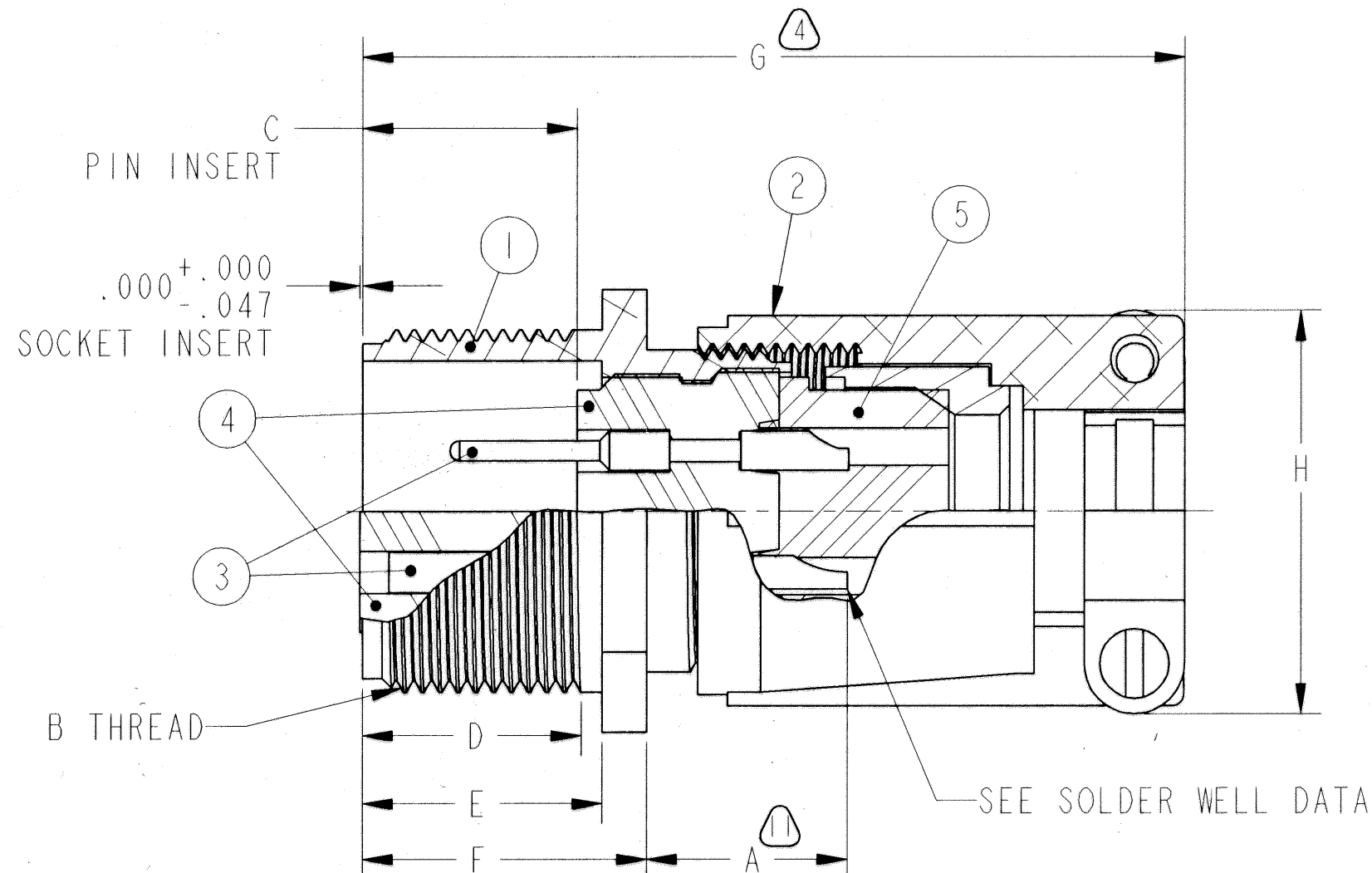
51536-58		REVISIONS	
LTR	DESCRIPTION	DATE	APPVD
C	(CL 11) SEE OBSOLETE RECORD DRAWING. REDESIGNED AND REDRAWN SAME SIZE SEE ECN: <b>83983</b>	1-1-98	GJO
D	(CL 11) SEE ECN 91394	01/02	J.B. Sem



⑤ BLACK INK STAMP "AMPHENOL",  
DATE CODE(9-3895) AND MS NUMBER  
PER 9-2811  
EXAMPLE:  
AMPHENOL 9102 JMS3100F20-12P

④

CONTACT DATA (WHERE APPLICABLE)	
THERMOCOUPLE	
MATERIAL	IDENTIFICATION
CHROMEL	WHITE
ALUMEL	GREEN
IRON	BLACK
CONSTANTAN	YELLOW
INSERT ARRANGEMENTS CONTAINING THERMOCOUPLE CONTACTS MUST HAVE SUCH CONTACTS ASSEMBLED INTO THE INSERT IN PROPER LOCATIONS AS SPECIFIED BY APPLICABLE DRAWINGS MS33683-13 OR MS33684-15	



	SOLDER WELL DATA					THERMOCOUPLE	
CONTACT SIZE	0	4	8	12	16	12	16
WELL DIA	.469 <sup>+.005</sup> <sub>-.003</sub>	.332 <sup>+.005</sup> <sub>-.003</sub>	.209 <sup>+.004</sup> <sub>-.002</sub>	.116 <sup>+.004</sup> <sub>-.002</sub>	.078 <sup>+.004</sup> <sub>-.002</sub>	.125 <sup>+.004</sup> <sub>-.002</sub>	.094 <sup>+.004</sup> <sub>-.002</sub>
WELL DEPTH	.031 <sup>+.031</sup> <sub>-.000</sub>	.625	.500	.375	.250	.250	.188

5	1	SEE COLUMN	GROMMET	
4	1	SEE COLUMN	INSERT	
3		SEE NOTE 12	CONTACTS	
2	1	SEE COLUMN	BACKSHELL KIT	
1	1	SEE COLUMN	SHELL	

UNLESS OTHERWISE SPECIFIED	SPECIFICATIONS	POS	QTY	PART NUMBER	DESCRIPTION	NOTE
LINEAR DIMENSIONS ARE IN INCHES TOLERANCES: .XXXX = ±.0005 .XXX = ±.010 .XX = ±.03 .X = ±.1 ANGLES = ±2° OTHER STANDARDS PER 9-3800 AND DOD-D-1000 THIRD ANGLE PROJECTION	MATERIAL SPEC. N/A	APPROVALS		DATE	<b>AMPHENOL CORPORATION</b> <small>SIDNEY, N.Y. 13838-1395</small> CONNECTOR, ELECTRICAL RECEPTACLE, TYPE MS3100F	
	PROCESS SPEC. TEST: 9-3106-1	PREPARED	WHITNEY	11-4-69		
	ASSY: 9-3238-1	CHECKED	MENDEOLA	11-18-69		
		APPROVED	R. W. TYLER	11-6-69		
		APPROVED	W. M. HARRISON	11-19-69		
	PROJ/ENG INFORMATION 10_474008_050.ASSEM 10_474008_050	SIZE	C	FSCM NO.	77820	DOCUMENT NO. 10-474008 THRU 10-474050
		SCALE: NONE		REF: 10-329800/19	SHEET 1 OF 2	

SEE SHEET 2.

NOTES:

THE USE OF THIS DOCUMENT IS UNLIMITED.  
HOWEVER, DOCUMENTS REFERENCED HEREON  
MAY CONTAIN LIMITED RIGHTS DATA.

COMPANY ID: 4	CODED/MS/CUST: Y	N/A
INTERNAL: N	LOT NO: N	
DATE CODE: 9-3895	SEE DRAW: N	N/A
STAMPING DATA		NEXT ASSEMBLY

FAMCODES DATA3:ANS MNS CICS:

ASSEMBLY NUMBER	MS NUMBER	5 INSERT	15 GROMMET	SHELL	BACKSHELL KIT	A +.050 -.060	B THREAD CLASS 2A (PLATED)	C ±.031	D MIN FULL THREAD	E +.010 -.000	F +.020 -.010	G MAX	H MAX	L ±.005	M	N DIA +.004 -.002
10-474008-( )	3100F- 8S -( )	NOT AVAILABLE														
10-474010-( )	3100F-10S -( )	NOT AVAILABLE														
10-474011-( )	3100F-10SL-( )	10-74811-( )	10-60711-( )	10-37260-11	10-584182-113	.422	.6250-24 UNEF	.484	.391	.562	.672	2.192	.896	.719	1.000	.120
10-474012-( )	3100F-12S -( )	10-74812-( )	10-60712-( )	10-37260-12	10-584182-113	.422	.7500-20 UNEF	.484	.450	.562	.672	2.192	.896	.812	1.094	.120
10-474013-( )	3100F- 12 -( )	10-74813-( )	10-60713-( )	10-37260-13	10-584182-113	.672	.7500-20 UNEF	.672	.625	.750	.860	2.536	.896	.812	1.094	.120
10-474014-( )	3100F-14S -( )	10-74814-( )	10-60714-( )	10-37260-14	10-584185-143	.422	.8750-20 UNEF	.484	.450	.562	.672	2.192	1.021	.906	1.188	.120
10-474015-( )	3100F- 14 -( )	10-74815-( )	10-60715-( )	10-37260-15	10-584185-143	.672	.8750-20 UNEF	.672	.625	.750	.860	2.536	1.021	.906	1.188	.120
10-474016-( )	3100F-16S -( )	10-74816-( )	10-60716-( )	10-37260-16	10-584187-163	.422	1.0000-20 UNEF	.484	.450	.562	.672	2.192	1.151	.969	1.281	.120
10-474017-( )	3100F- 16 -( )	10-74817-( )	10-60717-( )	10-37260-17	10-584188-173	.672	1.0000-20 UNEF	.672	.625	.750	.860	2.536	1.151	.969	1.281	.120
10-474018-( )	3100F- 18 -( )	10-74818-( )	10-60718-( )	10-37260-18	10-584189-183	.641	1.1250-18 UNEF	.672	.625	.750	.891	2.661	1.242	1.062	1.375	.120
10-474020-( )	3100F- 20 -( )	10-74820-( )	10-60720-( )	10-37260-20	10-584190-203	.641	1.2500-18 UNEF	.672	.625	.750	.891	2.661	1.499	1.156	1.500	.120
10-474022-( )	3100F- 22 -( )	10-74822-( )	10-60722-( )	10-37260-22	10-584191-223	.641	1.3750-18 UNEF	.672	.625	.750	.891	2.661	1.499	1.250	1.625	.120
10-474024-( )	3100F- 24 -( )	10-74824-( )	10-60724-( )	10-37260-24	10-584192-243	.578	1.5000-18 UNEF	.672	.625	.812	.953	2.739	1.781	1.375	1.750	.147
10-474028-( )	3100F- 28 -( )	10-74828-( )	10-60728-( )	10-37260-28	10-584193-283	.578	1.7500-18 UNS	.672	.625	.812	.953	2.739	1.781	1.562	2.000	.147
10-474032-( )	3100F- 32 -( )	10-74832-( )	10-60732-( )	10-37260-32	10-584194-323	.500	2.0000-18 UNS	.672	.625	.875	1.031	3.128	2.087	1.750	2.250	.173
10-474036-( )	3100F- 36 -( )	10-74836-( )	10-60736-( )	10-37260-36	10-584195-363	.500	2.2500-16 UN	.672	.625	.875	1.031	3.128	2.281	1.938	2.500	.173
10-474040-( )	3100F- 40 -( )	SEE INDIVIDUAL DRAWING														
10-474041/50		NOT AVAILABLE														

6

- NOTES:**
- SHIP CONNECTOR WITH SEALING PLUGS UNASSEMBLED.
  - PACKAGE PER PRODUCTION PROCESS SHEET.
  - FOR CONTACT SIZE, SPACING AND SERVICE RATING, SEE DRAWINGS, MIL-STD-1651.
  - DIMENSION INDICATES FINAL INSTALLATION. FOR STORAGE AND SHIPPING, NUT AND SLEEVE MUST BE LOOSELY COUPLED.
  - SEE WORK ORDER FOR PERMISSIBLE ADDITIONAL OR ALTERNATE STAMPING.
  - TO COMPLETE ASSEMBLY NUMBER AND MS NUMBER, ADD APPLICABLE INSERT ARRANGEMENT SUFFIX TO BASE NUMBERS LISTED ABOVE. (FOR ALTERNATE ARRANGEMENTS, REFER TO 9-2437).
  - SOME INSERTS AND GROMMETS ARE TOOLED UNDER A +50 PART NUMBER. CONSULT PARTS LIST FOR VERIFICATION.
  - SEE DRAWING 10-474608/650 AND OTHERS FOR REQUIRED MATING PLUG ASSEMBLIES.
  - ALL LOCKWIRE HOLES ARE .045 DIAMETER MINIMUM
  - UNITS ILLUSTRATED MEET THE MATERIAL AND FINISH REQUIREMENTS OF MIL-C-5015.
  - INCREASE "A" DIMENSION BY .312 FOR SIZE "0" CONTACT ONLY.
  - SEE SEPARATE PARTS LIST FOR COMPONENT PART NUMBERS AND QUANTITIES.
  - ALL UNUSED GROMMET HOLES MUST BE FILLED WITH APPROPRIATE SIZE SEALING PLUGS.
  - INDICATED THERMOCOUPLE CONTACT DATA IS APPLICABLE ONLY TO 10-474017-13P/S, 10-474018-15P/S (AND THEIR ALTERNATE ARRANGEMENTS) WHICH ARE THE ONLY THERMOCOUPLE ARRANGEMENTS AVAILABLE IN THIS SERIES.

THE USE OF THIS DOCUMENT IS UNLIMITED. HOWEVER, DOCUMENTS REFERENCED HEREON MAY CONTAIN LIMITED RIGHTS DATA.

SIZE <b>C</b>	FSCM NO. <b>77820</b>	DOCUMENT NO. <b>10-474008 THRU 10-474050</b>	REV. <b>D</b>
SCALE: NONE		REF: 10-329800/19	SHEET 2 OF 2

## X-ON Electronics

Largest Supplier of Electrical and Electronic Components

*Click to view similar products for [Amphenol manufacturer](#):*

Other Similar products are found below :

[PT01SE-16-8P\(027\)](#) [PT01SE-16-8P\(476\)](#) [CTV06RW-11-2JB-LC](#) [97-3108A-22-14P](#) [10-474017-10P](#) [MS27473P14B18S](#) [TV06RW-25-90AE](#)  
[CTVS06RF-25-46PB-LC](#) [PT02E10-2PW](#) [PT02E10-2PX](#) [97-3106A18-3PX-958](#) [97-3106A18-3PY-958](#) [PT06J20-24SW](#) [TV06RL-13-35AD](#)  
[TV06RL-13-98BD](#) [TV06RW-25-46AE](#) [TV06RL-13-35SD-LC](#) [TV06RL-13-35SD](#) [TV06RL-13-98SD-LC](#) [TV06RL-13-98SD](#) [TVP00RW-23-](#)  
[53AD](#) [PT02E10-2PW-025](#) [100-007-213-002-001](#) [2M805-002-16NF23-12PA](#) [97-3108B16S-5PW-417](#) [97-3108B16S-5PY-417](#) [CS-](#)  
[DSDMDB37MF-025](#) [97-3108B16S-5PZ-417](#) [GTC02R32-17S-025-RDS](#) [PT06SE2041P](#) [CF-5A9013-04N](#) [CF-6A4615-06N](#) [GTC02R32-17S-](#)  
[025-RDS-LC](#) [GTC02R32-17S-025-LC](#) [PT06SE-24-61P\(LC\)](#) [SP28W1F](#) [TV07DT-25-37P](#) [TV07DT-25-37JN-LC](#) [TV07DT-25-37S](#) [TV07DT-](#)  
[25-37S-LC](#) [TV07DT-25-46P-LC](#) [97-3101A20-21P-958](#) [TV07DT-25-90P-LC](#) [TV07DT-25-46A](#) [TV07DT-25-37P-LC](#) [GTS08-36-22PZ-025-](#)  
[B30](#) [PT00SP2241P](#) [CTVPS00RF-15-15AC](#) [LJT06RT-15-35PB\(023\)](#) [TVS07RF-15-15AB](#)