

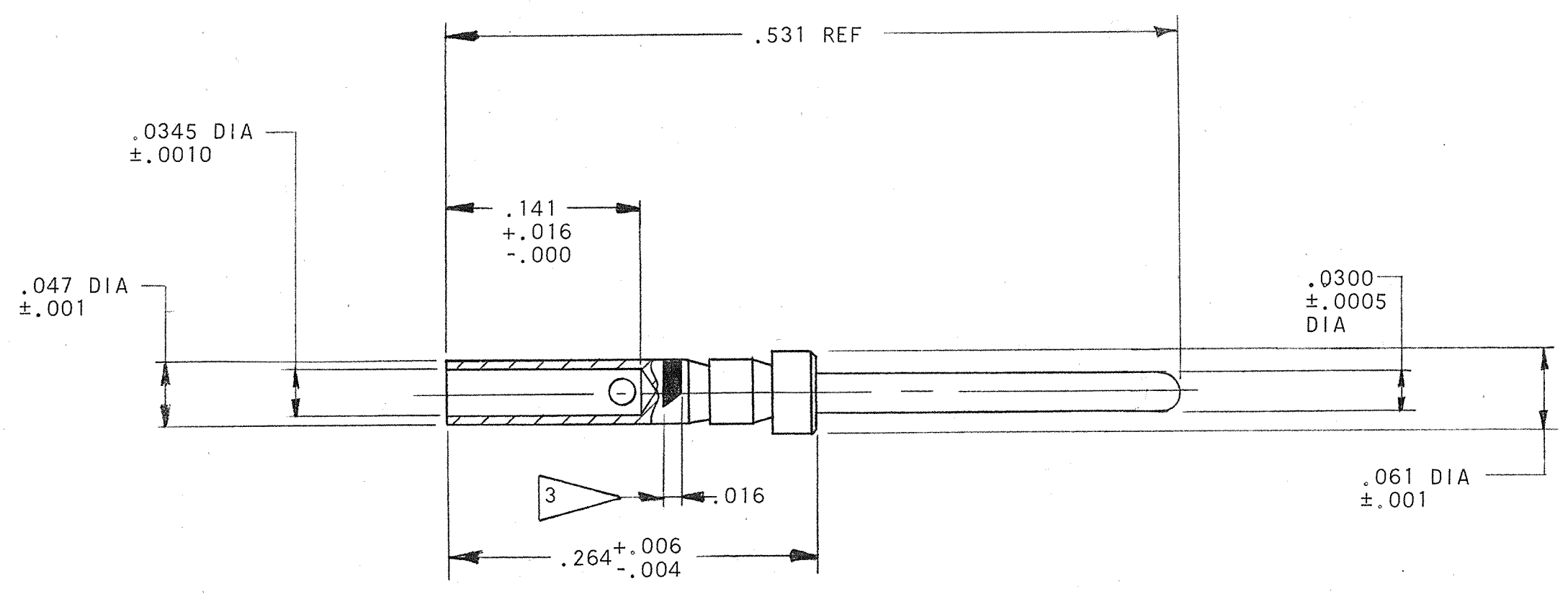
4

3

2

1

59728-2		REVISIONS		
ZONE	LTR	DESCRIPTION	DATE	APPROVED
	A			



MADE FROM 10-251415-72B

B. Tomo

- 5. APPROX MEAN SURFACE AREA .0852 SQ. IN.
- 4. ALL DIMENSIONS ARE AFTER PLATING.
- 3. GREEN INK STAMP TRADEMARK, 9-6700 TYPE IV PER 9-1180 IN APPROX POSITION SHOWN, AFTER PLATING. DIRECTION OPTIONAL. TRADEMARK MAY BE SOLID AS SHOWN.
- 2. PROCESS SPEC:
TEST 9-5272-1
9-6700, 9-1180,
GOLD PLATE 9-6800-5
PROCESS SHEET CONTROL 9-4796, SPECIAL CONTROL 9-6000-4
- 1. UNITS MEET ALL OF THE REQUIREMENTS OF M39029/58 EXCEPT MINUS IDENTIFICATION BANDS.

NOTES:

USE OF THIS DOCUMENT IS UNLIMITED. DOCUMENTS REFERENCED HEREON CONTAIN LIMITED RIGHTS DATA.

NEXT ASSEMBLY

FIND NO.	QTY REQD	CODE IDENT	PART NUMBER	DESCRIPTION	NOTE REF
PARTS LIST					
UNLESS OTHERWISE SPECIFIED LINEAR DIMENSIONS ARE IN INCHES. TOLERANCES: .XXX ± .010, .XX ± .03, .X ± .1, ANGLES ± 2°. OTHER STANDARDS PER 9-3800 AND MIL-D-1000. NOTE REF			SIGNATURES PREPARED WILKINSON CHECKED W.E. Coon MATERIAL APPROVED APPROVED	DATES 4/26/78 5/18/78 5-18-78 4-27-78	The Bendix Corporation Electrical Components Division Sidney, New York TITLE: CONTACT, PIN, ELECTRICAL CONNECTOR, SIZE 22D, TYPE JT-R
MATERIAL SPEC	PROCESS SPEC SEE NOTE 2		SIZE C	CODE IDENT NO. 77820	10-497362-725
			SCALE 10/1	WT	REF 10-251415-72(C)
					SHEET

10502 9831

10-497362-725

X-ON Electronics

Largest Supplier of Electrical and Electronic Components

Click to view similar products for [Circular MIL Spec Contacts](#) category:

Click to view products by [Amphenol](#) manufacturer:

Other Similar products are found below :

[006-1189-20](#) [M39029/106-616](#) [71-VEAM](#) [809-023](#) [809-111](#) [811393-000](#) [850-014](#) [97-45-1418P-5\(920\)](#) [97-45-1418S-4](#) [D-602-0106CS076](#)
[AIC12-14P](#) [AIC16-16PG](#) [AIC8-12P](#) [AIC8-8SG](#) [AIC8-8SRAD](#) [1495044-1](#) [BACC47CP2T](#) [BACC47CP3S](#) [BACC47DP4](#) [BACC47GC1A](#)
[BACC47GN1](#) [16968/2C](#) [173-900245-91](#) [241611N001](#) [2560-220-2031](#) [27915-38T9](#) [27964-38T112](#) [2M809-118](#) [97-67-36-20](#) [AIC12-16P](#)
[AIC16-14SG](#) [AIC16-18PG](#) [AIC16-18S](#) [AIC16-20PG](#) [AIC4-4PG](#) [CE102S-18](#) [M39029/30-221](#) [M39029/77-430](#) [416-2020-088I](#) [MDM-](#)
[21SH003B-F222](#) [BA-4120-50LD](#) [BACC47CN2](#) [BACC47GC3A](#) [BACC47GD3A](#) [BACC47GM1](#) [52G137 REV A](#) [CB2-18-21PS](#) [D-602-](#)
[1116CS2727](#) [D-602-1117CS2727](#) [419-2082-102](#)