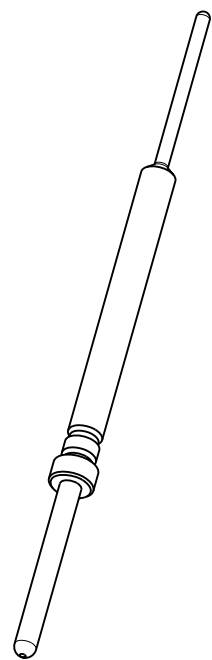
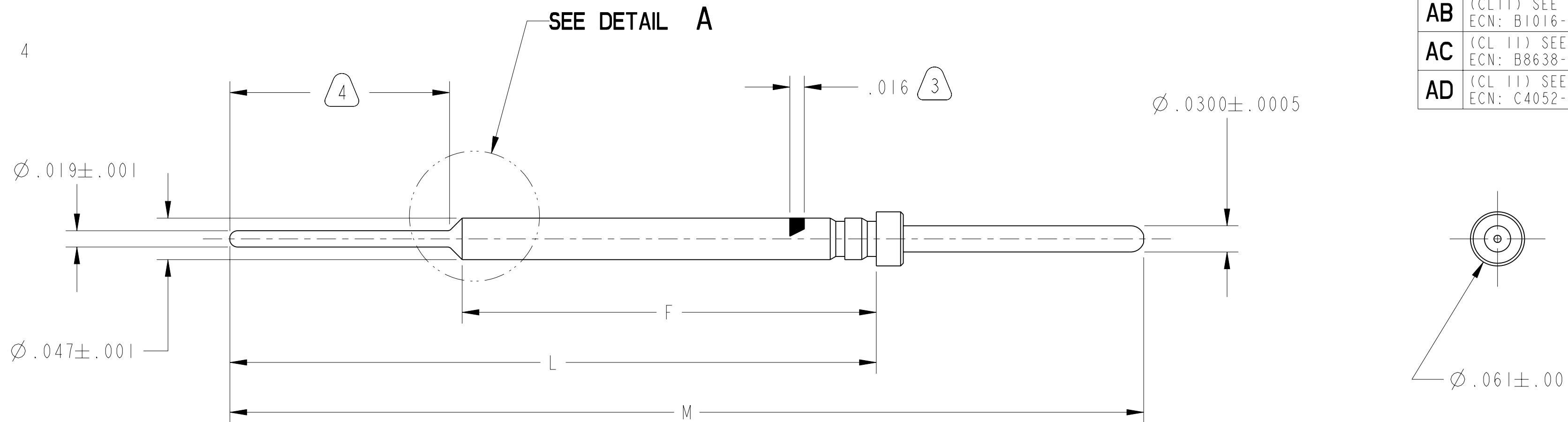


| REVISIONS |   |         |
|-----------|---|---------|
| LTR       | DESCRIPTION   | DATE    |
| T         | (CL11) ADDED -43() THRU-51() AND RELEASED<br>ECN: 96615 | 3/30/05 |
| U         | (CL11) ADD/REL -52() DATA<br>ECN: 98271                 | 11/1/05 |
| V         | (CL11) ADD/REL -53() THRU -55()<br>ECN: A1224           | 2/13/07 |
| W         | (CL11) ADD/REL -56() & DATA<br>ECN: A2169               | 3/2/07  |
| Y         | (CL 11) SEE ECN A6048                                   | 2/3/09  |
| AA        | (CL11) SEE CHG NOTICE<br>ECN: A9452-0000                | 8/24/10 |
| AB        | (CL11) SEE CHG NOTICE<br>ECN: B1016-0000                | 3/25/11 |
| AC        | (CL 11) SEE CHG NOTICE<br>ECN: B8638-0000               | 6/9/14  |
| AD        | (CL 11) SEE CHG NOTICE<br>ECN: C4052-0000               | 3/9/17  |

DOCUMENT NO. 10-497628-( )  
 SHEET 1 OF 4  
 REV. AD



SCALE 4



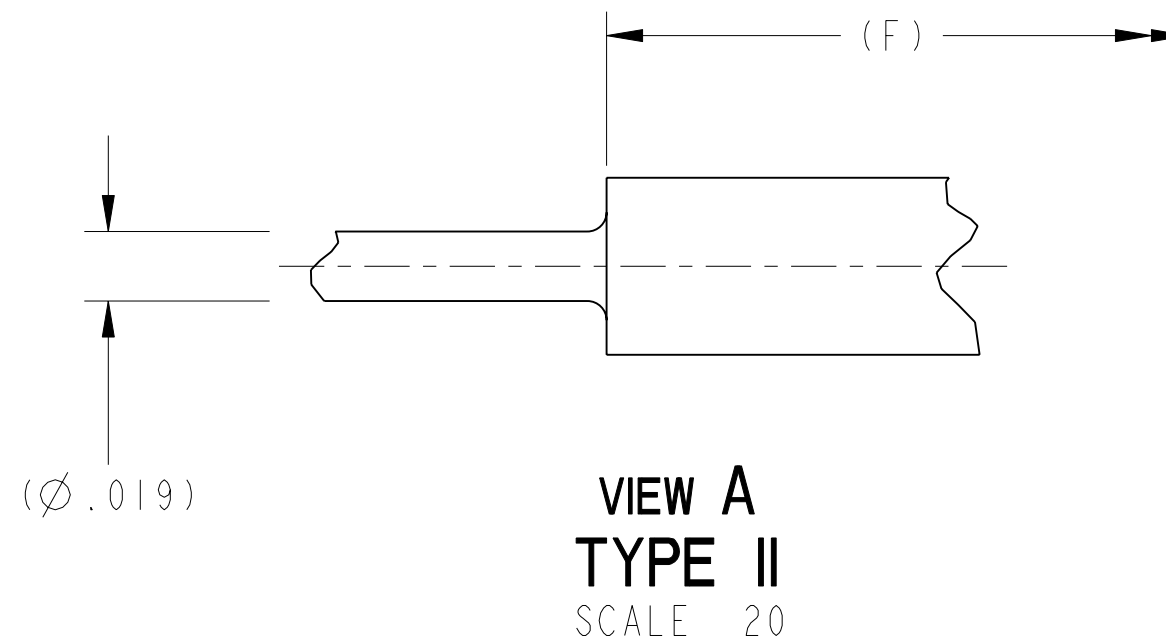
**TYPE I**

1. ADD LAST CHARACTER TO SUFFIX FOR FINISH:
2. ALL DIMENSIONS ARE AFTER PLATING.
3. BLACK INK STAMP TRADEMARK, 9-6700 TYPE IV, PER 9-1180 IN APPROXIMATE POSITION SHOWN AFTER PLATING. DIRECTION OPTIONAL. TRADEMARK MAYBE SOLID AS SHOWN.
4. INDICATED AREA SHALL BE CAPABLE OF MEETING THE SOLDERABILITY REQUIREMENTS OF 9-8825 AFTER STEAM AGING.
5. PROCESS SPEC: 9-1180, 9-6700, 9-6800, 9-8825

| SUFFIX LAST CHARACTER | FINISH     |          |
|-----------------------|------------|----------|
| 2                     | GOLD PLATE | 9-6800-2 |
| 3                     | GOLD PLATE | 9-6800-3 |
| 4                     | GOLD PLATE | 9-6800-4 |
| 5                     | GOLD PLATE | 9-6800-5 |
| F                     | GOLD PLATE | 9-6800-F |
| H                     | GOLD PLATE | 9-6800-H |

**NOTES:**

THE USE OF THIS DOCUMENT IS UNLIMITED. HOWEVER, DOCUMENTS REFERENCED HEREON MAY CONTAIN LIMITED RIGHTS DATA.



| UNLESS OTHERWISE SPECIFIED  | SPECIFICATIONS | POS                | QTY        | PART NUMBER | DESCRIPTION   | NOTE |
|---|----------------|--------------------|------------|-------------|---|------|
| LINEAR DIMENSIONS ARE IN INCHES<br>TOLERANCES:<br>.XXXX = $\pm .0005$ ANGLES = $\pm 2^\circ$<br>.XXX = $\pm .010$<br>.XX = $\pm .03$<br>.X = $\pm .1$<br>DIM. & TOL. PER ASME Y14.5M;<br>DRM PER MIL-STD-31000;<br>OTHER Amphenol Stds. PER 9-3800<br>LEGENDS:<br>= FLAG NOTE CALL OUT REFERENCE ONLY | MATERIAL SPEC. | APPROVALS          |            | DATE        | PARTS LIST  |      |
|   | N/A            | PREPARED BY        | DJSMITH    |             | <b>AMPHENOL CORPORATION</b><br>40-60 DELAWARE AVENUE<br>SIDNEY, N.Y. 13858<br><b>CONTACT, PIN,<br/>           ELECTRICAL CONNECTOR,<br/>           SIZE 22D, TYPE JT-R, PCB</b> |      |
| PROCESS SPEC.   | SEE NOTE 5     | ENGINEER IN CHARGE | LRATCHFORD | 09-Mar-17   | SIZE C CAGE CODE 77820 DOCUMENT NO. 10-497628-( ) REV. AD<br>SCALE: 20.0 REF. 10-407552 SHEET 1 OF 4  |      |

| PRO/ENGINEER INFORMATION |
|--------------------------|
| Pro/e Model Used:        |
| 10-497628-01X.ASSEM      |
| Drawing Name:            |
| 10-497628                |

| NEXT ASSEMBLY |
|---------------|
| N/A           |

DOCUMENT NO. 10-497628-( )  
 SHEET 1 OF 4  
 REV. AD  
 Eng PDM Information For Reference Only  
 REVISION AD  
 VERSION 0

10-497628-( )  
DOCUMENT NO.  
SHEET 2 OF 4  
AD REV

C

B

A

| PART NUMBER     | MADE FROM     | TYPE | F                                      | L          | M REF | MEAN SURFACE AREA SQ. IN. |
|-----------------|---------------|------|--|------------|-------|---------------------------|
| 10-497628-01( ) | 10-497628-01B | 11   | .328 <sup>+.000</sup> <sub>-.015</sub> | .535±.005  | .832  | .0851                     |
| 10-497628-02( ) | 10-497628-02B | 1    | .460 <sup>+.000</sup> <sub>-.015</sub> | .873±.005  | 1.170 | .1234                     |
| 10-497628-03( ) | 10-497628-03B | 1    | .460 <sup>+.000</sup> <sub>-.015</sub> | .718±.005  | 1.015 | .1146                     |
| 10-497628-04( ) | 10-497628-04B | 1    | .460 <sup>+.000</sup> <sub>-.015</sub> | 1.031±.005 | 1.328 | .1324                     |
| 10-497628-05( ) | 10-497628-05B | 1    | .460 <sup>+.000</sup> <sub>-.015</sub> | 1.001±.005 | 1.298 | .1307                     |
| 10-497628-06( ) | 10-497628-06B | 1    | .460 <sup>+.000</sup> <sub>-.015</sub> | .975±.005  | 1.272 | .1292                     |
| 10-497628-07( ) | 10-497628-07B | 11   | .515±.005                              | .755±.005  | 1.052 | .1285                     |
| 10-497628-08( ) | 10-497628-08B | 11   | .365±.005                              | .772±.005  | 1.069 | .1050                     |
| 10-497628-09( ) | 10-497628-09B | 11   | .355 <sup>+.003</sup> <sub>-.002</sub> | .477±.005  | .774  | .0869                     |
| 10-497628-10( ) | 10-497628-10B | 11   | .355 <sup>+.003</sup> <sub>-.002</sub> | .560±.005  | .857  | .0916                     |
| 10-497628-11( ) | 10-497628-11B | 11   | .840±.003                              | 1.090±.005 | 1.387 | .1919                     |
| 10-497628-12( ) | 10-497628-12B | 11   | 1.205±.005                             | 1.410±.010 | 1.707 | .2630                     |
| 10-497628-13( ) | 10-497628-13B | 1    | 1.443±.003                             | 1.767±.005 | 2.064 | .3177                     |
| 10-497628-14( ) | 10-497628-14B | 11   | .365±.005                              | .776±.005  | 1.073 | .1052                     |
| 10-497628-15( ) | 10-497628-15B | 1    | .515±.005                              | .755±.005  | 1.052 | .1258                     |
| 10-497628-16( ) | 10-497628-16B | 11   | 1.000±.005                             | 1.513±.003 | 1.810 | .2391                     |
| 10-497628-17( ) | 10-497628-17B | 11   | .325 <sup>+.003</sup> <sub>-.002</sub> | .465±.005  | .762  | .0818                     |
| 10-497628-18( ) | 10-497628-18B | 1    | .395±.005                              | .595±.005  | .892  | .0993                     |
| 10-497628-19( ) | 10-497628-19B | 1    | .210±.005                              | .430±.005  | .727  | .0631                     |
| 10-497628-20( ) | 10-497628-20B | 11   | .167±.005                              | .810±.005  | 1.107 | .0785                     |
| 10-497628-21( ) | 10-497628-21B | 1    | .460 <sup>+.000</sup> <sub>-.015</sub> | .745±.005  | 1.042 | .1162                     |
| 10-497628-22( ) | 10-497628-22B | 11   | .485±.005                              | .739±.003  | 1.036 | .1205                     |
| 10-497628-23( ) | 10-497628-23B | 11   | .597±.003                              | .683±.005  | .980  | .1202                     |
| 10-497628-24( ) | 10-497628-24B | 11   | .362±.005                              | .712±.003  | .818  | .1062                     |
| 10-497628-25( ) | 10-497628-25B | 1    | .460 <sup>+.000</sup> <sub>-.015</sub> | .920±.005  | 1.217 | .1278                     |
| 10-497628-26( ) | 10-497628-26B | 1    | .290±.005                              | .580±.005  | .877  | .0939                     |
| 10-497628-27( ) | 10-497628-27B | 11   | .355±.002                              | .578±.002  | .875  | .0927                     |
| 10-497628-28( ) | 10-497628-28B | 1    | .166±.004                              | .460±.005  | .757  | .0768                     |
| 10-497628-29( ) | 10-497628-29B | 1    | .166±.004                              | .560±.005  | .857  | .0827                     |
| 10-497628-30( ) | 10-497628-30B | 11   | .590±.003                              | .690±.002  | .987  | .1283                     |

NOTES: SEE SHEET 1

THE USE OF THIS DOCUMENT IS UNLIMITED. HOWEVER, DOCUMENTS REFERENCED HEREON MAY CONTAIN LIMITED RIGHTS DATA.

|                               |              |            |
|-------------------------------|--------------|------------|
| DOCUMENT NO.<br>10-497628-( ) | SHEET 2 OF 4 | REV.<br>AD |
|-------------------------------|--------------|------------|

|            |                    |                               |              |
|------------|--------------------|-------------------------------|--------------|
| SIZE<br>C  | CAGE CODE<br>77820 | DOCUMENT NO.<br>10-497628-( ) | REV.<br>AD   |
| SCALE: 5.0 |                    | REF:<br>10-407552             | SHEET 2 OF 4 |

10-497628-( )  
DOCUMENT NO.  
SHEET 2 OF 4  
AD REV  
Eng PDM Information For Reference Only  
REVISION  
AD  
0

10-497628-( )  
SHEET 3 OF 4  
AD

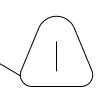
C

B

A

| PART NUMBER     | MADE FROM     | TYPE  | F                                       | L          | M REF | MEAN SURFACE AREA SQ. IN. |
|-----------------|---------------|-------|---|------------|-------|---------------------------|
| 10-497628-31( ) | 10-497628-31B | II    | .450±.005                               | .880±.005  | 1.177 | .1250                     |
| 10-497628-32( ) | 10-497628-32B | II    | .520±.003                               | .747±.005  | 1.044 | .1228                     |
| 10-497628-33( ) | 10-497628-33B | II    | .230±.005                               | .525±.010  | .822  | .0859                     |
| 10-497628-34( ) | 10-497628-34B | I     | .460 <sup>+.000</sup> <sub>-.015</sub>  | .965±.003  | 1.262 | .1309                     |
| 10-497628-35( ) | 10-497628-35B | I     | .450±.005                               | .734±.003  | 1.031 | .1163                     |
| 10-497628-36( ) | 10-497628-36B | I     | .460 <sup>+.000</sup> <sub>-.015</sub>  | .718±.005  | 1.015 | .1162                     |
| 10-497628-37( ) | 10-497628-37B | II    | .588±.005                               | .706±.005  | 1.003 | .1293                     |
| 10-497628-38( ) | 10-497628-38B | II    | .454±.008                               | .946±.005  | 1.243 | .1322                     |
| 10-497628-39( ) | 10-497628-39B | II    | .454±.008                               | 1.027±.005 | 1.324 | .1371                     |
| 10-497628-40( ) | 10-497628-40B | II    | .454±.008                               | .897±.005  | 1.194 | .1293                     |
| 10-497628-41( ) | 10-497628-41B | II    | 1.032±.005                              | 1.387±.005 | 1.684 | .2094                     |
| 10-497628-42( ) | 10-497628-42B | II    | .365±.005                               | .680±.005  | .977  | .1085                     |
| 10-497628-43( ) | 10-497628-43B | II    | .588±.003                               | .688±.003  | .985  | .1282                     |
| 10-497628-44( ) | 10-497628-44B | I     | .520±.005                               | .862±.005  | 1.160 | .1297                     |
| 10-497628-45( ) | 10-497628-45B | II    | .520±.005                               | .805±.005  | 1.102 | .1263                     |
| 10-497628-46( ) | 10-497628-46B | I     | .394 <sup>+.000</sup> <sub>-.015</sub>  | .985±.003  | 1.282 | .1226                     |
| 10-497628-47( ) | 10-497628-47B | II    | .275±.003                               | .400±.003  | .697  | .0826                     |
| 10-497628-48( ) | 10-497628-48B | I     | .376 <sup>+.000</sup> <sub>-.015</sub>  | .815±.005  | 1.112 | .1163                     |
| 10-497628-49( ) | 10-497628-49B | I     | .365±.005                               | .830±.003  | 1.127 | .1162                     |
| 10-497628-50( ) | 10-497628-50B | II    | .637±.003                               | 1.075±.004 | 1.372 | .1547                     |
| 10-497628-51( ) | 10-497628-51B | I     | 1.000 <sup>+.000</sup> <sub>-.015</sub> | 1.738±.005 | 2.035 | .2262                     |
| 10-497628-52( ) | 10-497628-52B | II    | .365±.005                               | .791±.005  | 1.088 | .1126                     |
| 10-497628-53( ) | 10-497628-53B | I     | .460 <sup>+.000</sup> <sub>-.015</sub>  | .844±.003  | 1.141 | .1181                     |
| 10-497628-54( ) | 10-497628-54B | T B D |   |            |       |                           |
| 10-497628-55( ) | 10-497628-55B | II    | .525 <sup>+.000</sup> <sub>-.005</sub>  | .731±.003  | 1.028 | .1064                     |
| 10-497628-56( ) | 10-497628-56B | II    | .845±.005                               | 1.002±.005 | 1.299 | .1669                     |
| 10-497628-57( ) | 10-497628-57B | I     | .460 <sup>+.000</sup> <sub>-.015</sub>  | .640±.003  | .937  | .1152                     |
| 10-497628-58( ) | 10-497628-58B | I     | .330±.005                               | .646±.003  | .943  | .1042                     |
| 10-497628-59( ) | 10-497628-59B | II    | .702±.003                               | .896±.004  | 1.193 | .1518                     |
| 10-497628-60( ) | 10-497628-60B | II    | .733±.003                               | .925±.005  | 1.222 | .1563                     |

NOTES: SEE SHEET 1



THE USE OF THIS DOCUMENT IS UNLIMITED. HOWEVER, DOCUMENTS REFERENCED HEREON MAY CONTAIN LIMITED RIGHTS DATA.

FORMAT: C-U-E-1

D

C

0

AD

Eng PDM Information For Reference Only

AD

SHEET 3 OF 4

10-497628-( )

| PART NUMBER     | MADE FROM     | TYPE | F                               | L          | M REF | MEAN SURFACE AREA SQ. IN. |
|-----------------|---------------|------|---------------------------------|------------|-------|---------------------------|
| 10-497628-61( ) | 10-497628-61B | 11   | .675±.005                       | .845±.005  | 1.142 | .1457                     |
| 10-497628-62( ) | 10-497628-62B | 11   | .665±.002                       | .921±.002  | 1.218 | .1493                     |
| 10-497628-63( ) | 10-497628-63B | 11   | .515±.003                       | .825±.005  | 1.122 | .1304                     |
| 10-497628-64( ) | 10-497628-64B | 11   | .455±.005                       | .603±.003  | .900  | .1119                     |
| 10-497628-65( ) | 10-497628-65B | 11   | .256±.003                       | .706±.005  | 1.003 | .1009                     |
| 10-497628-66( ) | 10-497628-66B | 11   | .365±.005                       | .835±.005  | 1.132 | .1178                     |
| 10-497628-67( ) | 10-497628-67B | 11   | .540±.005                       | .825±.005  | 1.122 | .1313                     |
| 10-497628-68( ) | 10-497628-68B | 11   | .350±.003                       | .890±.003  | 1.187 | .1166                     |
| 10-497628-69( ) | 10-497628-69B | 1    | .460 <sup>+</sup> .000<br>-.015 | .795±.005  | 1.092 | .1209                     |
| 10-497628-70( ) | 10-497628-70B | 11   | 1.065±.005                      | 1.160±.005 | 1.457 | .1948                     |
| 10-497628-71( ) | 10-497628-71B | 11   | .454±.008                       | 1.001±.005 | 1.298 | .1325                     |
| 10-497628-72( ) | 10-497628-72B | 11   | .454±.008                       | .956±.003  | 1.253 | .1292                     |
| 10-497628-73( ) | 10-497628-73B | 11   | .454±.008                       | 1.056±.003 | 1.353 | .1349                     |
| 10-497628-74( ) | 10-497628-74B | 11   | .454±.008                       | 1.156±.003 | 1.453 | .1406                     |
| 10-497628-75( ) | 10-497628-75B | 11   | .520±.005                       | .665±.005  | .962  | .1185                     |
| 10-497628-76( ) | 10-497628-76B | 1    | .270±.005                       | .665±.003  | .962  | .0965                     |



NOTES: SEE SHEET 1

THE USE OF THIS DOCUMENT IS UNLIMITED. HOWEVER, DOCUMENTS REFERENCED HEREON MAY CONTAIN LIMITED RIGHTS DATA.

FORMAT: C-U-E-I

DOCUMENT NO. 10-497628-( )

SHEET 4 OF 4

REV. AD

|            |                 |                            |              |
|------------|-----------------|----------------------------|--------------|
| SIZE C     | CAGE CODE 77820 | DOCUMENT NO. 10-497628-( ) | REV. AD      |
| SCALE: 5.0 |                 | REF: 10-407552             | SHEET 4 OF 4 |

10-497628-( )  
 SHEET 4 OF 4  
 REV. AD  
 Eng. PDM Information For Reference Only  
 REVISION AD  
 VERSION 0

## X-ON Electronics

Largest Supplier of Electrical and Electronic Components

*Click to view similar products for [Circular MIL Spec Contacts](#) category:*

*Click to view products by [Amphenol](#) manufacturer:*

Other Similar products are found below :

[006-1189-20](#) [M39029/106-616](#) [71-VEAM](#) [809-023](#) [809-111](#) [811393-000](#) [850-014](#) [97-45-1418P-5\(920\)](#) [97-45-1418S-4](#) [D-602-0106CS076](#)  
[AIC12-14P](#) [AIC16-16PG](#) [AIC8-12P](#) [AIC8-8SG](#) [AIC8-8SRAD](#) [1495044-1](#) [BACC47CP2T](#) [BACC47CP3S](#) [BACC47DP4](#) [BACC47GC1A](#)  
[BACC47GN1](#) [16968/2C](#) [173-900245-91](#) [241611N001](#) [2560-220-2031](#) [27915-38T9](#) [27964-38T112](#) [2M809-118](#) [97-67-36-20](#) [AIC12-16P](#)  
[AIC16-14SG](#) [AIC16-18PG](#) [AIC16-18S](#) [AIC16-20PG](#) [AIC4-4PG](#) [CE102S-18](#) [M39029/30-221](#) [M39029/77-430](#) [416-2020-088I](#) [MDM-](#)  
[21SH003B-F222](#) [BA-4120-50LD](#) [BACC47CN2](#) [BACC47GC3A](#) [BACC47GD3A](#) [BACC47GM1](#) [52G137 REV A](#) [CB2-18-21PS](#) [D-602-](#)  
[1116CS2727](#) [D-602-1117CS2727](#) [419-2082-102](#)