

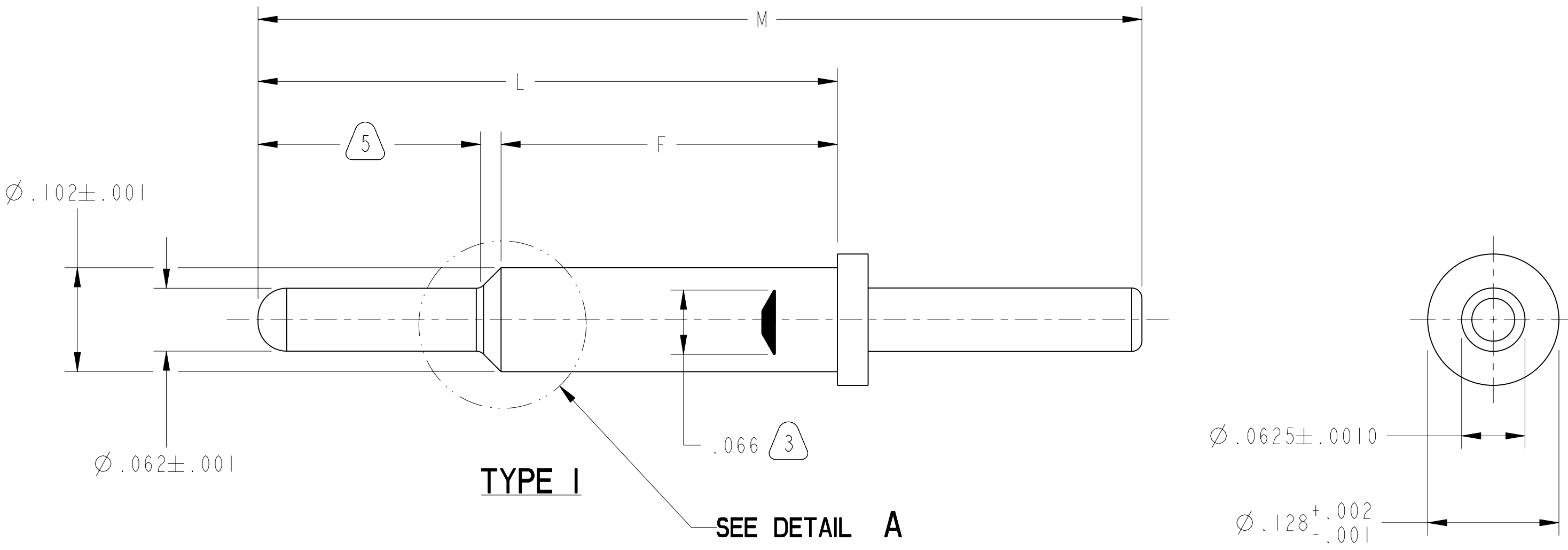
REV. AD		SHEET 1 OF 2		10-497630	
REVISIONS					
LTR	DESCRIPTION	DATE			
P	SEE RECORD DRWG FOR REV K-N (CL 11) ADD/REL -22/ -26 ECN: 96802	H REEVE 05-05-05			
R	(CL 11) ADD/REL -27/-32 ECN: 97884	JHEATH 9-8-05			
T	(CL 11) ECN A0878 ADD & REL -31( ) AND -32( )	D. SMITH 06/06/06			
U	CL(11) ADD/REL -33( ) & -34( ) ECN: A1430	DJSMTIH 10/2/06			
V	(CL11) SEE ENG CHG NOTICE ECN: A2641	DJSMTIH 5/3/07			
W	(CL11) SEE ENG CHG NOTICE ECN: A4875	DJSMTIH 4/4/08			
Y	(CL 11) SEE CHG NOTICE ECN: B1107-0000	3/11/11			
AA	(CL 11) SEE CHG NOTICE ECN: B1462-0000	6/6/11			
AB	(CL 11) ADDED -41( ) ECN: B2220-0000	8/12/11			
AC	(CL 11) ADDED -42( ) ECN: B2597-0000	1/11/12			
AD	(CL 11) ADDED -43 THRU -46 ECN: B7755-0000	4/2/14			

DOCUMENT NO. 10-497630  
 SHEET 1 OF 2  
 REV. AD

C

B

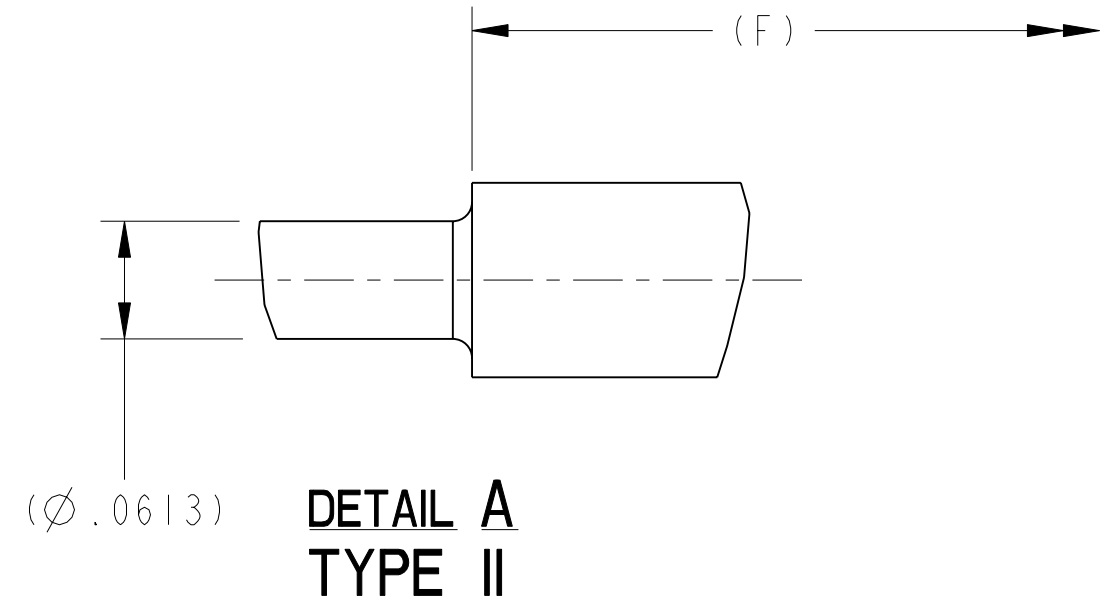
A



- INDICATED AREA SHALL BE CAPABLE OF MEETING THE SOLDERABILITY REQUIREMENTS OF 9-8825 AFTER STEAM AGING.
- ALL DIMENSIONS ARE AFTER PLATING.
- BLUE INK STAMP TRADEMARK 9-6700 TYPE IV, PER 9-1180 IN APPROXIMATE POSITION SHOWN AFTER PLATING. DIRECTION OPTIONAL. TRADEMARK MAY BE SOLID AS SHOWN.

2. ADD LAST CHARACTER TO SUFFIX FOR FINISH:

SUFFIX LAST CHARACTER	FINISH	SPEC
2	GOLD PLATE	9-6800-2
3	GOLD PLATE	9-6800-3
4	GOLD PLATE	9-6800-4
5	GOLD PLATE	9-6800-5
F	GOLD PLATE	9-6800-F
G	GOLD PLATE	9-6800-G
H	GOLD PLATE	9-6800-H
X	GOLD, PALLADIUM, NI	9-111



1. PROCESS SPEC:  
 TEST 9-5272-16  
 9-6700, 9-1180, 9-6800, 9-8825, 9-9111

**NOTES:**

THE USE OF THIS DOCUMENT IS UNLIMITED. HOWEVER, DOCUMENTS REFERENCED HEREON MAY CONTAIN LIMITED RIGHTS DATA.

PRO/ENGINEER INFORMATION	
Pro/e Model Used:	N/A
Drawing Name:	NEXT ASSEMBLY

UNLESS OTHERWISE SPECIFIED	SPECIFICATIONS	POS	QTY	PART NUMBER	DESCRIPTION	NOTE			
LINEAR DIMENSIONS ARE IN INCHES TOLERANCES: .XXXX = ±.0005 ANGLES= ±2° .XXX = ±.010 .XX = ±.03 .X = ±.1  DIM. & TOL. PER ASME Y14.5M; DRM PER MIL-DTL-31000; OTHER Amphenol Stds. PER 9-3800  LEGENDS: =FLAG NOTE CALL OUT REFERENCE ONLY	MATERIAL SPEC.	APPROVALS		DATE	<b>AMPHENOL CORPORATION</b> <small>40-60 DELAWARE AVENUE            SIDNEY, NY. 13858</small>  <b>CONTACT, PIN,            ELECTRICAL CONNECTOR,            SIZE 16, PCB, TYPE JT-R</b>				
	N/A	PREPARED BY G. LARSON		9-30-98					
PROCESS SPEC.	ENGINEER IN CHARGE L. RATCHFORD	DESIGN MANAGER H. JOHNSON							
SEE NOTE 1	DESIGN ACTIVITY GROUP MIL/AERO DEVELOP	THIRD ANGLE PROJECTION			<table border="1"> <tr> <td>SIZE <b>C</b></td> <td>CAGE CODE <b>77820</b></td> <td>DOCUMENT NO. <b>10-497630</b></td> <td>REV. <b>AD</b></td> </tr> </table>	SIZE <b>C</b>	CAGE CODE <b>77820</b>	DOCUMENT NO. <b>10-497630</b>	REV. <b>AD</b>
SIZE <b>C</b>	CAGE CODE <b>77820</b>	DOCUMENT NO. <b>10-497630</b>	REV. <b>AD</b>						
		SCALE: 10:0		10-251415-16( )	SHEET 1 OF 2				

FORMAT: C-0-E-1

RELEASE STATE Released  
 REVISION AD  
 VERSION 1

SHEET 1 OF 2

DOCUMENT NO. 10-497630

10-497630

SHEET 2 OF 2 AD

C

B

A

PART NUMBER	MADE FROM	TYPE	F +.000 -.005	L	M REF	MEAN SURFACE AREA SQ. IN.
10-497630-01()	10-497630-01B	11	.328	.565±.005	.870	.2330
10-497630-02()	10-497630-02B	1	.328	.873±.005	1.178	.2923
10-497630-03()	10-497630-03B	1	.280	.585±.005	.882	.2336
10-497630-04()	10-497630-04B	1	.250	.635±.003	.940	.2395
10-497630-05()	10-497630-05B	1	.328	.739±.005	1.044	.2672
10-497630-06()	10-497630-06B	1	.328	.754±.005	1.058	.2726
10-497630-07()	10-497630-07B	1	.328	.505±.005	.802	.2213
10-497630-08()	10-497630-08B	1	.328	.979±.005	1.276	.3130
10-497630-09()	10-497630-09B	1	.460 <sup>+.000</sup> <sub>-.015</sub>	.873±.005	1.170	.3096
10-497630-10()	10-497630-10B	1	.460 <sup>+.000</sup> <sub>-.015</sub>	.783±.005	1.080	.2921
10-497630-11()	10-497630-11B	11	.355 <sup>+.003</sup> <sub>-.002</sub>	.602±.005	.899	.2436
10-497630-12()	10-497630-12B	11	.365±.005	.867±.005	1.164	.2965
10-497630-13()	10-497630-13B	1	.445	1.080±.005	1.377	.3511
10-497630-14()	10-497630-14B	1	.328	.595±.003	.892	.2402
10-497630-15()	10-497630-15B	11	.454±.005	1.027±.005	1.324	.3405
10-497630-16()	10-497630-16B	1	.700±.010	.950±.005	1.247	.3552
10-497630-17()	10-497630-17B	11	.376 <sup>+.000</sup> <sub>-.015</sub>	.754 <sup>+.000</sup> <sub>-.015</sub>	1.051	.2779
10-497630-18()	10-497630-18B	11	.365±.005	.680±.005	.977	.2629
10-497630-19()	10-497630-19B	11	.701±.005	1.081±.005	1.378	.3833
10-497630-20()	10-497630-20B	11	.365±.005	.815±.005	1.112	.2893
10-497630-21()	10-497630-21B	11	.328	.650±.005	.947	.2525
10-497630-22()	10-497630-22B	1	.166	.551±.005	.878	.2128
10-497630-23()	10-497630-23B	1	.376	.898±.005	1.195	.3068
10-497630-24()	10-497630-24B	1	.328	.723±.005	1.020	.2667
10-497630-25()	10-497630-25B	11	.462 <sup>+.000</sup> <sub>-.015</sub>	.756±.005	1.053	.2889
10-497630-26()	10-497630-26B	1	.328	.773±.003	1.070	.2764
10-497630-27()	10-497630-27B	1	.460	1.312±.005	1.609	.3980
10-497630-28()	10-497630-28B	1	.445 <sup>+.000</sup> <sub>-.015</sub>	.835±.005	1.132	.3032
10-497630-29()	10-497630-29B	1	.300±.005	1.245±.005	1.542	.3649
10-497630-30()	10-497630-30B	1	.460 <sup>+.000</sup> <sub>-.015</sub>	1.266±.005	1.563	.3891

2

NOTES:

THE USE OF THIS DOCUMENT IS UNLIMITED. HOWEVER, DOCUMENTS REFERENCED HEREON MAY CONTAIN LIMITED RIGHTS DATA.

PART NUMBER	MADE FROM	TYPE	F +.000 -.005	L	M REF	MEAN SURFACE AREA SQ. IN.
10-497630-31()	10-497630-31B	1	.460 <sup>+.000</sup> <sub>-.015</sub>	.965±.003	1.262	.3279
10-497630-32()	10-497630-32B	11	.525 <sup>+.000</sup> <sub>-.005</sub>	.731±.003	1.028	.2921
10-497630-33()	10-497630-33B	1	.250±.005	.475±.005	.772	.2219
10-497630-34()	10-497630-34B	1	.280	.532±.005	.829	.2219
10-497630-35()	10-497630-35B	1	.460 <sup>+.000</sup> <sub>-.015</sub>	.936±.005	1.233	.3223
10-497630-36()	10-497630-36B	1	.130	.375±.003	.672	.1703
10-497630-37()	10-497630-37B	1	.368±.005	1.120±.005	1.417	.3462
10-497630-38()	10-497630-38B	11	.515±.003	.825±.005	1.122	.3089
10-497630-39()	10-497630-39B	1	.376	.637±.005	.934	.2542
10-497630-40()	10-497630-40B	1	.229	.739±.005	1.036	.2554
10-497630-41()	10-497630-41B	1	.280	.563±.005	.860	.2279
10-497630-42()	10-497630-42B	1	.270±.005	.815±.005	1.112	.2757
10-497630-43()	10-497630-43B	1	.250±.005	.718±.005	1.015	.2559
10-497630-44()	10-497630-44B	1	.730±.005	.950±.005	1.247	.3614
10-497630-45()	10-497630-45B	11	.700±.010	.950±.005	1.247	.3594
10-497630-46()	10-497630-46B	1	.920	1.215±.005	1.512	.4369

2

SIZE <b>C</b>	CAGE CODE <b>77820</b>	DOCUMENT NO. <b>10-497630</b>	REV. <b>AD</b>
SCALE: 5.0		REF: 10-251415-16()	SHEET 2 OF 2

10-497630 SHEET 2 OF 2 AD RELEASE STATE Released REVISION AD

## X-ON Electronics

Largest Supplier of Electrical and Electronic Components

*Click to view similar products for [Circular MIL Spec Contacts](#) category:*

*Click to view products by [Amphenol](#) manufacturer:*

Other Similar products are found below :

[006-1189-20](#) [71-VEAM](#) [809-023](#) [809-111](#) [811393-000](#) [850-014](#) [97-45-1418P-5\(920\)](#) [97-45-1418S-4](#) [D-602-0106CS076](#) [AIC12-14P](#)  
[AIC16-16PG](#) [AIC8-12P](#) [AIC8-8SG](#) [AIC8-8SRAD](#) [1495044-1](#) [BACC47CP2T](#) [BACC47CP3S](#) [BACC47DP4](#) [BACC47GC1A](#) [BACC47GN1](#)  
[16968/2C](#) [241611N001](#) [2560-220-2031](#) [27915-38T9](#) [27964-38T112](#) [2M809-118](#) [97-67-36-20](#) [AIC12-16P](#) [AIC16-14SG](#) [AIC16-18PG](#)  
[AIC16-18S](#) [AIC16-20PG](#) [AIC4-4PG](#) [CE102S-18](#) [M39029/30-221](#) [M39029/77-430](#) [416-2020-088I](#) [MDM-21SH003B-F222](#) [BA-4120-50LD](#)  
[BACC47CN2](#) [BACC47GC3A](#) [BACC47GD3A](#) [BACC47GM1](#) [52G137 REV A](#) [CB2-18-21PS](#) [D-602-1116CS2727](#) [D-602-1117CS2727](#) [419-](#)  
[2082-102](#) [419-2085-102](#) [419-2087-001](#)