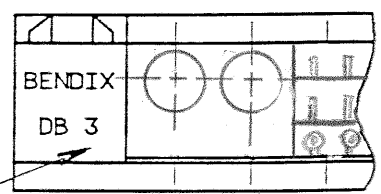


4

3

2

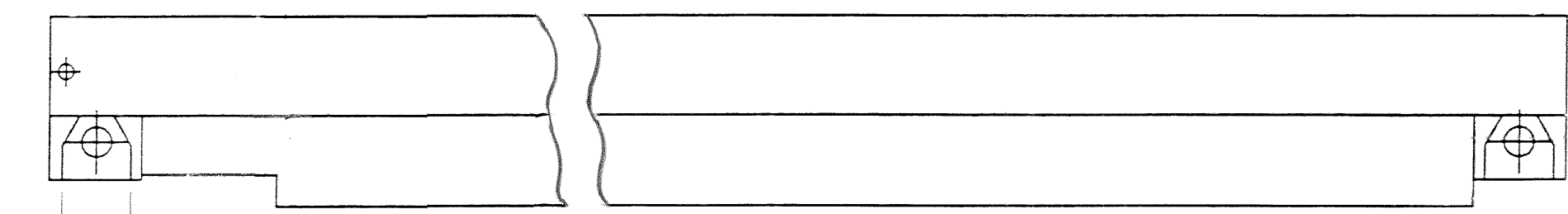
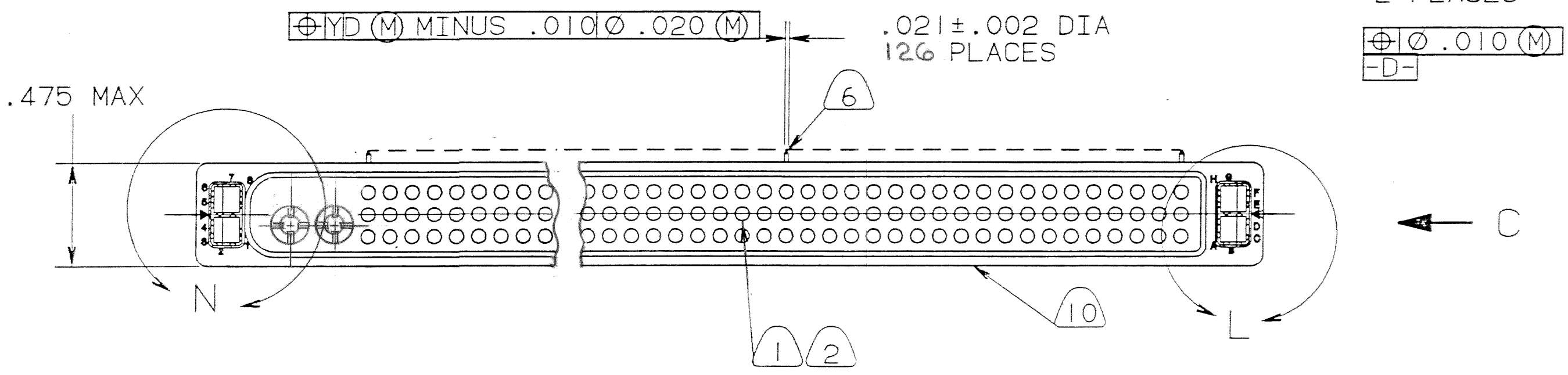
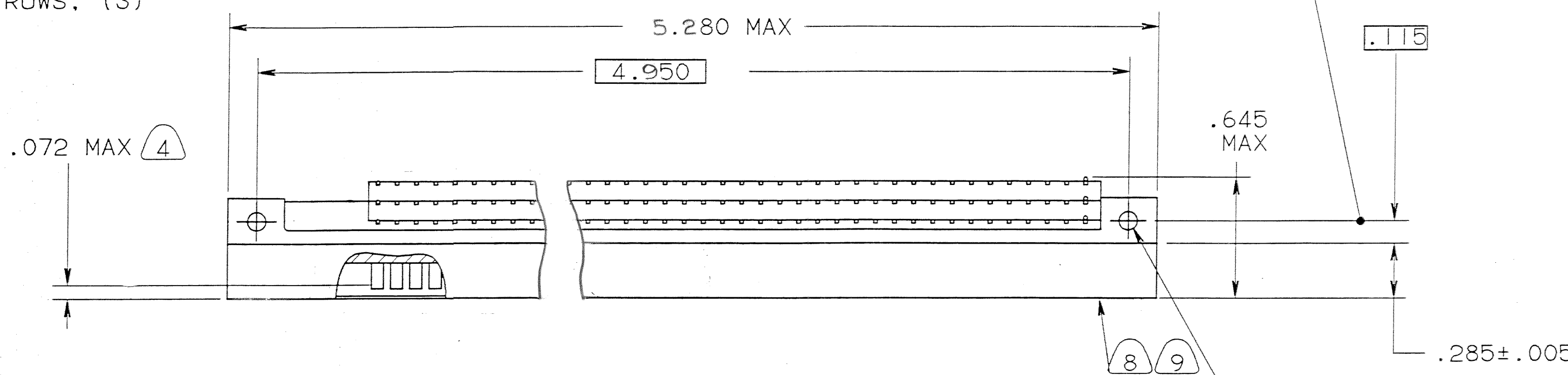
1



NUMBER OF BRUSH CONTACT ROWS, (3)

CL OF $.096^{+.005}_{-.000}$ DIA HOLES & INSIDE ROW OF CONTACTS

REVISIONS				
ZONE	LTR	DESCRIPTION	DATE	APPROVED
	A	INITIAL RELEASE NUM: 70093-318		
	B	(CL II) WAS: $.120 \pm .020$; CHG'D ITEMS 2,3,4 ECN: 28493	10-18-94 PDN	<i>P. Niles</i>



.220 X .075 DEEP
2 PLACES
(FOR HEX NUT .187 MAX FLATS & .205 MIN ACROSS CORNERS)

COMPANY ID: 3
CODED/MS/CUST: N
INTERNAL: Y
LOTNO: N
DATE CODE: 9-3895
SEE PRINT: Y

UNLESS OTHERWISE SPECIFIED
LINEAR DIMENSIONS ARE IN INCHES.
TOLERANCES: .XXX ± .010,
.XX ± .03, .X ± .1,
ANGLES ± 2°.
OTHER STANDARDS PER 9-3800
AND DOD-D-1000.
NOTE REF. = **XX**

FIND NO.	QTY REQD.	FSCM NO.	PART NUMBER	DESCRIPTION	NOTE REF.
4	42		10-502490-316	BRUSH CONTACT	
3	42		10-502490-216	BRUSH CONTACT	
2	42		10-502490-116	BRUSH CONTACT	
1	1		10-502535-37	CONNECTOR, MOLDED	

SPECIFICATIONS		SIGNATURES		DATES		PARTS LIST	
MATERIAL SPEC.	N/A	PREPARED	<i>P. Niles</i>	6/1/93	AMPHENOL CORPORATION BENDIX CONNECTOR OPERATIONS SIDNEY, N.Y.		
PROCESS SPEC.	SEE NOTE 10	CHECKED	<i>P. Niles</i>	6/1/93	CONNECTOR, ELECT., DB-P SPECIAL 126 BRUSH CONTACTS INSTALLED 2 SIZE 16 COAXIAL CONTACT POSITIONS		
	9-3895, 9-7855	MATERIAL	<i>Bob Downie</i>	9/1/93	SIZE	FSCM NO.	REV.
		APPROVED	<i>R. J. Norman</i>	6/1/93	C	77820	B
		1ST PART NO.			SCALE	N/A	REF. N/A
							SHEET 1 OF 2

SEE SHEET 2
NOTES:

THE USE OF THIS DOCUMENT IS UNLIMITED.
HOWEVER, DOCUMENTS REFERENCED HEREON
MAY CONTAIN LIMITED RIGHTS DATA.

N/A
N/A
NEXT ASSEMBLY

D

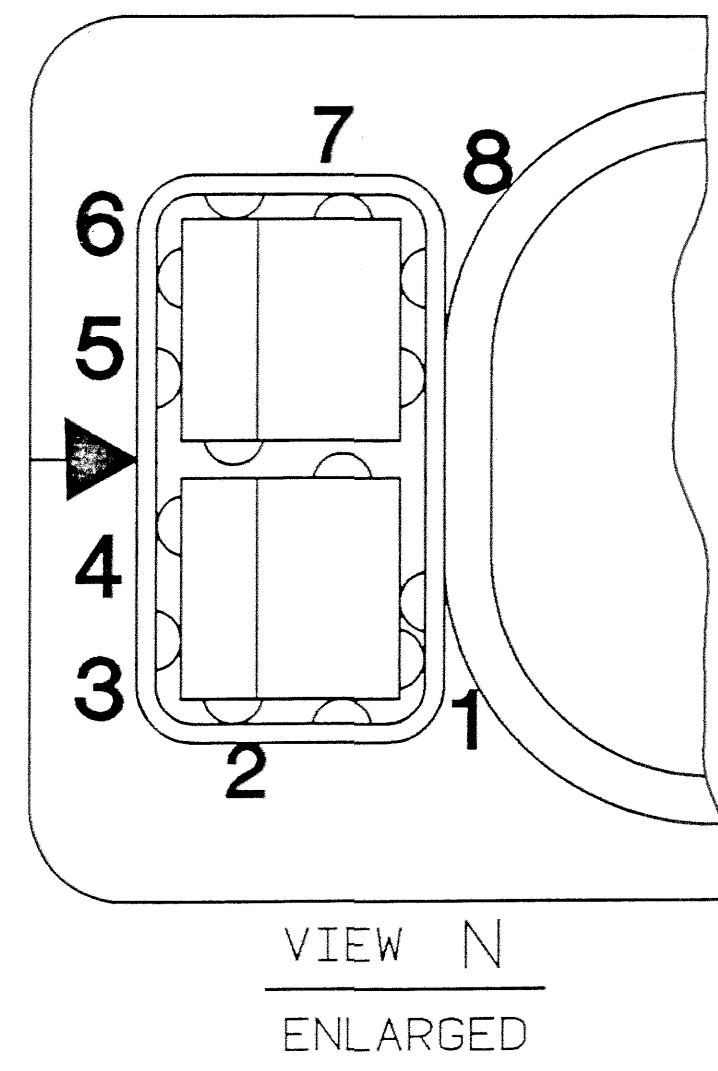
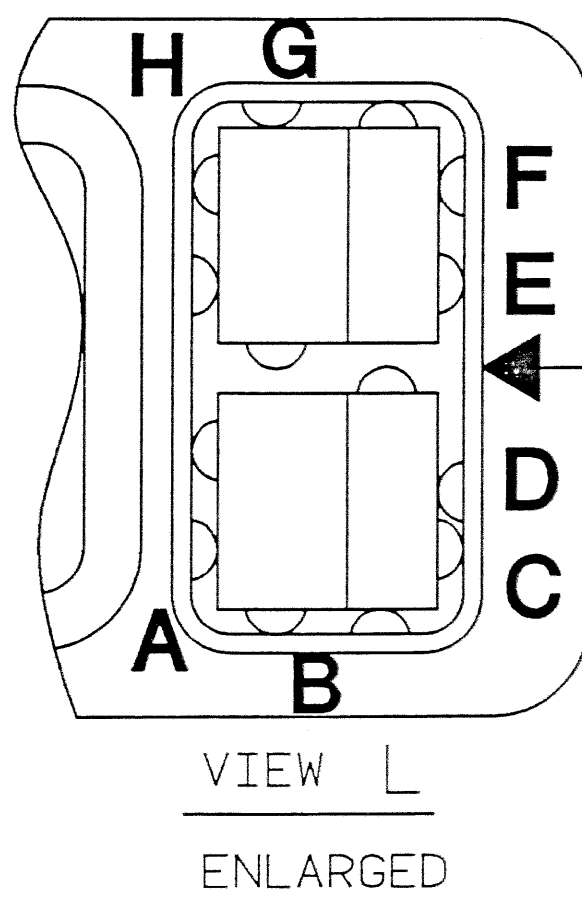
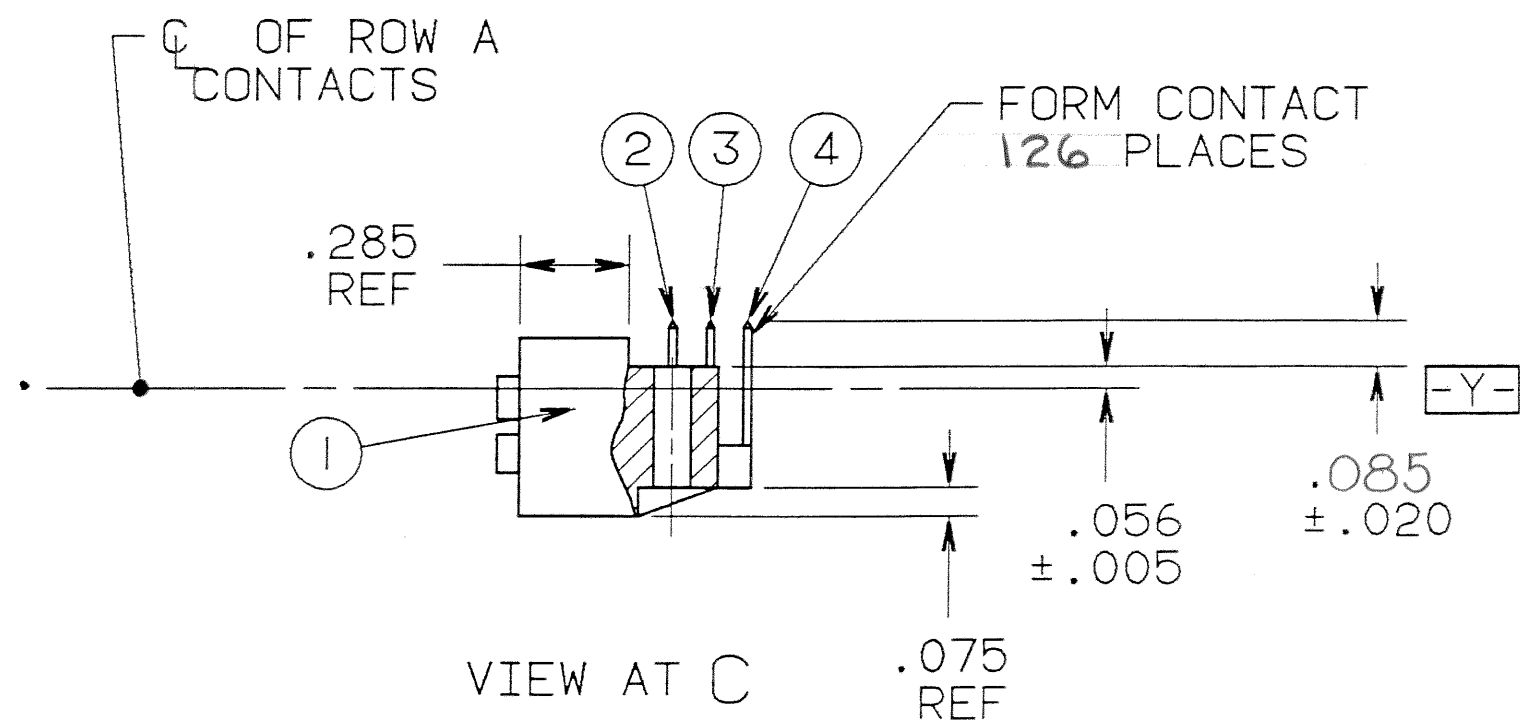
C

10-503150-60

B

A

U



12. CONNECTOR HOUSING MATERIAL CONFORMS TO THE REQUIREMENTS OF MIL-C-55302/170.
11. INDICATED CONTACT POSITIONS ACCEPT 21-33122-563 CONTACTS AND OTHERS.
10. PERMANENTLY MARK ON INDICATED SURFACE "BENDIX 77820 10-503150-60", PER 9-7855, AND DATE CODE PER 9-3895, COLOR WHITE. CHARACTERS SHALL BE .062±.020 HIGH.
9. USER INSTALLATION INFORMATION: USER SHALL EMPLOY AN INSTALLATION PROCEDURE THAT PROVIDES A MATING FACE STRAIGHTNESS WITHIN .010 TO INSURE MAXIMUM CONNECTOR PERFORMANCE. FOR TYPICAL INSTALLATION INFORMATION REQUEST BENDIX SERVICE INSTRUCTIONS L-1220.
8. BENDIX INSPECTION REQUIREMENT ONLY. MATING SURFACE SHALL BE NET CONVEX .020 INCH MAX. PERFECT FORM AT MMC NOT REQUIRED. REQUIREMENT IS NOT APPLICABLE TO CUSTOMER RECEIVING INSPECTION.
7. BRUSH CONTACTS ARE REPLACEABLE FROM FRONT. SIZE 16 CONTACT POSITIONS PROVIDE REAR RELEASE AND REAR REMOVAL.
6. BRUSH CONTACT MATERIALS & FINISHES CONFORM TO THE REQUIREMENTS OF MIL-C-55302/170.
5. FOR MATING MOTHER BOARD CONNECTOR, SEE DRAWING 10-503220-73.
4. INDICATED DIMENSION IS TO POINT OF ELECTRICAL ENGAGEMENT OF BRUSH CONTACTS.
3. INDICATED ITEM IS NOT PART OF STANDARD ASSEMBLY AND MUST BE PURCHASED SEPARATELY. FOR PART NUMBER AND QUANTITIES, SEE ACCESSORIES BLOCK.
2. BRUSH CONTACT LOCATIONS ARE IDENTIFIED ON THE FRONT FACE PER CONTACT ARRANGEMENT DRAWING.
1. FOR CONTACT ARRANGEMENT DATA, SEE DRAWING L-32404-11.

NOTES:

THE USE OF THIS DOCUMENT IS UNLIMITED. HOWEVER, DOCUMENTS REFERENCED HEREON MAY CONTAIN LIMITED RIGHTS DATA.

DESCRIPTION	PART NUMBER	QTY	NOTE REF
SIZE 16 CONTACT REMOVAL TOOL	10-538988-16		7
TEST PROBE KIT	11-10400-22		
POLARIZATION SQUARE	10-285422-2	4	3
ACCESSORIES (NOT PART OF STANDARD ASSEMBLY)			
			3
SIZE	FSCM NO.	REV.	
C	77820	10-503150-60	
SCALE	WT.	REF	SHEET
NONE		N/A	2

10-503150-60

A

B

C

D

X-ON Electronics

Largest Supplier of Electrical and Electronic Components

Click to view similar products for [Rack & Panel Connectors](#) category:

Click to view products by [Amphenol](#) manufacturer:

Other Similar products are found below :

[00171410002](#) [00171420202](#) [00171440002](#) [02-014-013-5200-000](#) [613467-000](#) [CTJ112E01E-513](#) [CTJ116E03A-513](#) [CTJ720E01B-513 L/C](#)
[66020-2](#) [CW8958-000](#) [699886-000](#) [D250-50632](#) [70.400.3240.0](#) [70.955.2453.3](#) [733753-000](#) [F22831-000](#) [780-522-DPX34RG8-02](#) [8660-501](#)
[87.060.0053.0](#) [900709N001](#) [928358-1](#) [D-659-0061](#) [DMC-MD 24 C-T](#) [1-445717-6](#) [1484469-2](#) [1604997-2](#) [MTC100-BF1-P31CS015](#)
[MTC100-KT2-0083](#) [MTC100-KT2-0123-003](#) [MTC100-YA1-005](#) [MTCPQKT1R2PGCA](#) [MTCR-103-04S](#) [MTCX1X-100-100CS025](#)
[1738331-1](#) [1757667-1](#) [1811481-1](#) [1883433-1](#) [201046-7](#) [202648-4](#) [213364-1](#) [226503-000](#) [937028-164](#) [1663130-2](#) [172305-4](#) [F36711-000](#)
[202355-2](#) [202356-2](#) [G16S-A](#) [G20S-AB](#) [CHA-0017-003](#)