

REV. PA1	SHEET 1 OF 3	DOCUMENT NO. 10-504637-012
REVISIONS		
LTR	DESCRIPTION	DATE
PA1	INITIAL RELEASE	4/3/18

10-504637-012

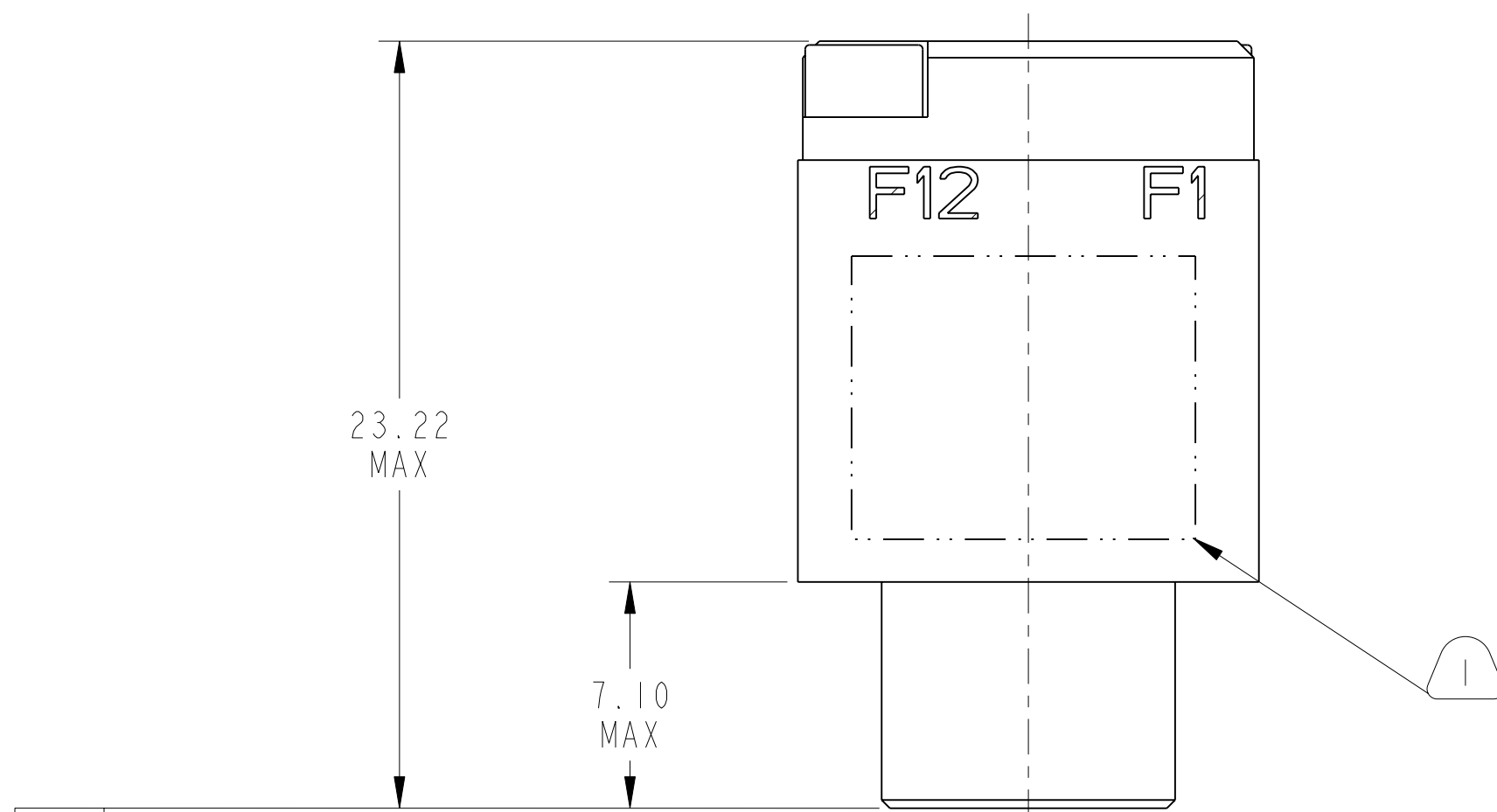
SHEET 1 OF 3

REV. PA1

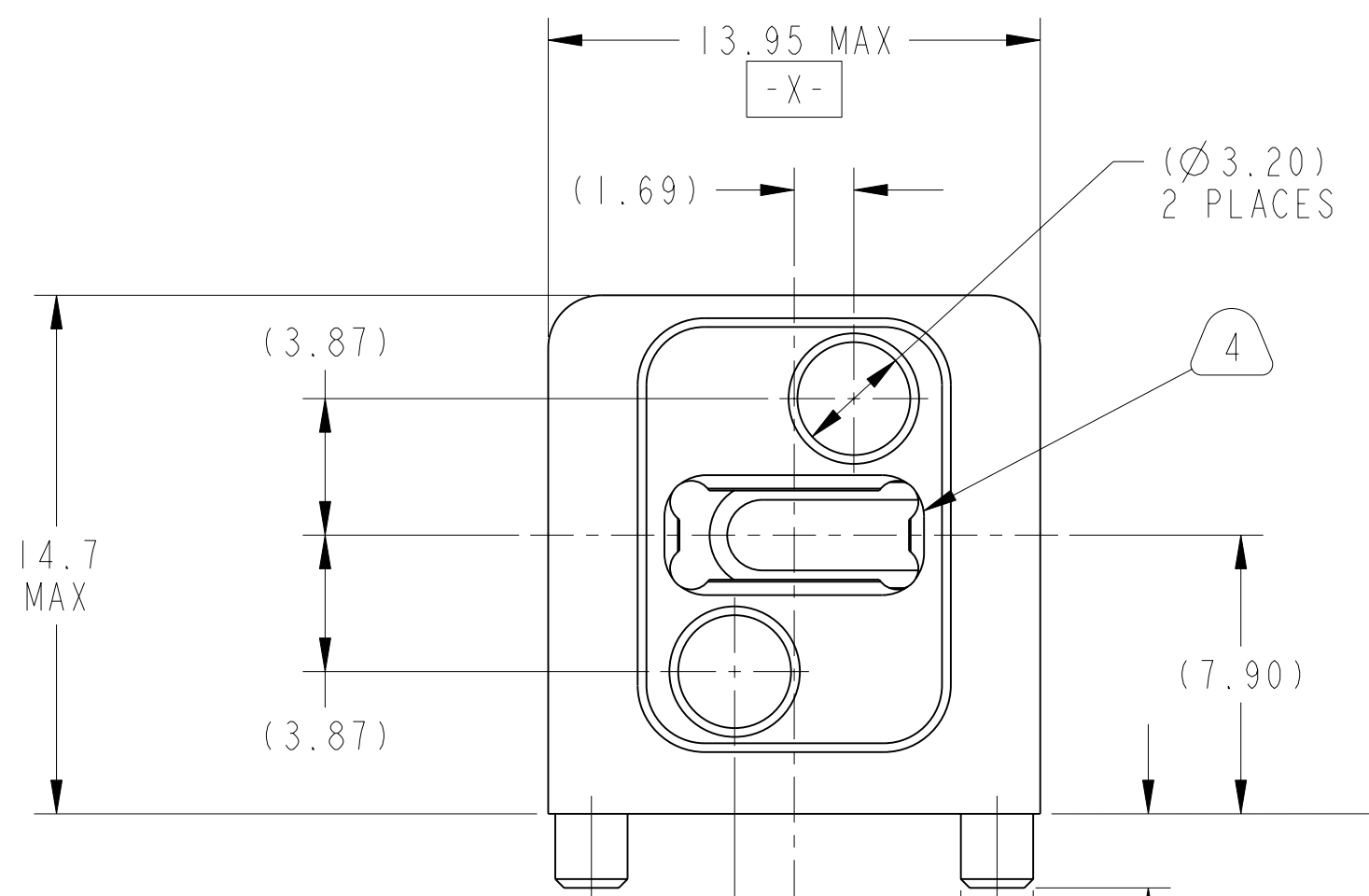
C

B

A



-Y-



14.7 MAX

(3.87)

(3.87)

(1.69)

13.95 MAX

(1.69)

( $\phi 3.20$ )  
2 PLACES

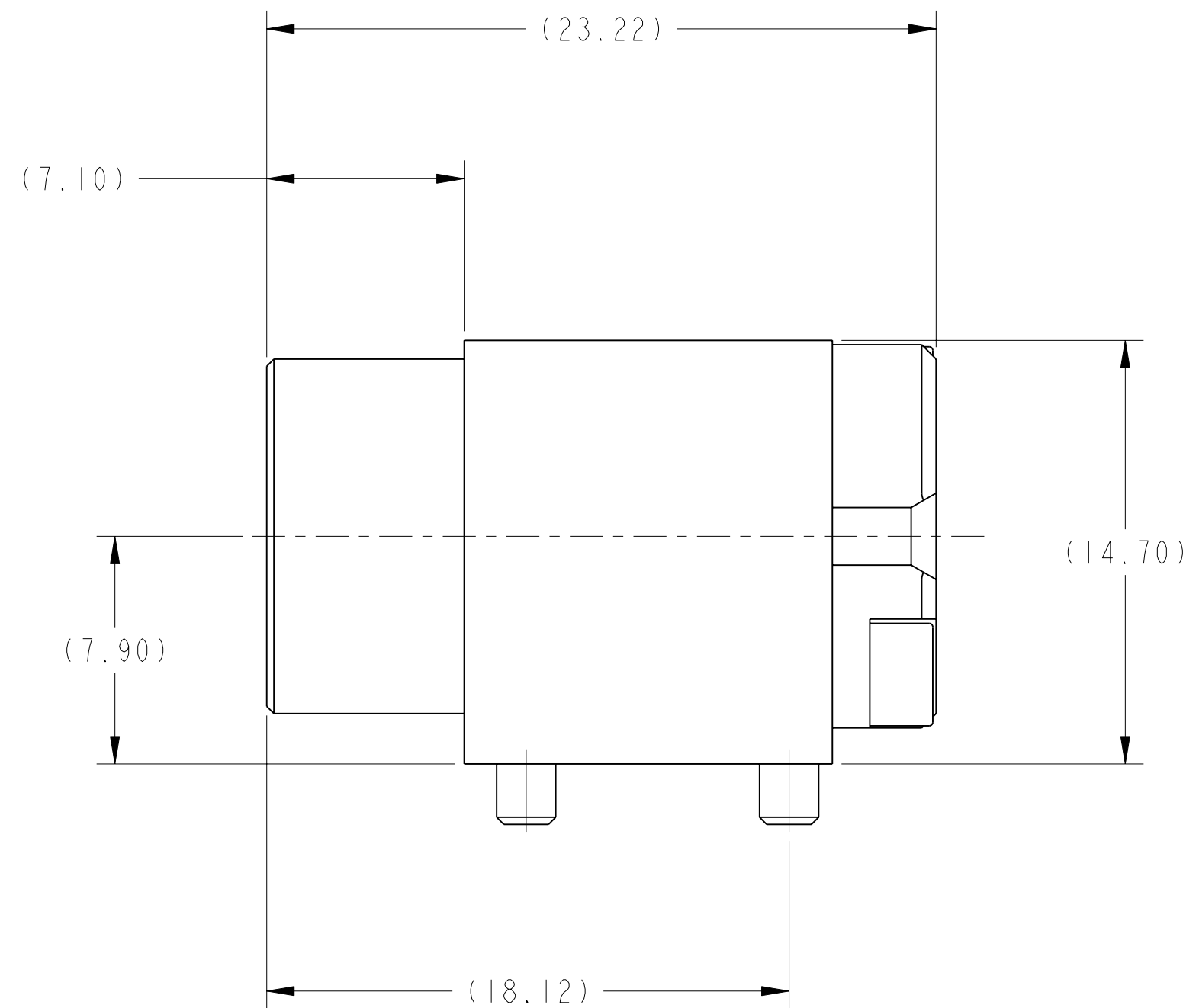
(7.90)

2.1<sup>0</sup><sub>-0.2</sub>  
2 PLACES

$\phi 2.05_{-0.06}^0$   
2 PLACES

$\oplus \phi 0.05(M) \quad Y \quad Z \quad X(S)$

-Z-



C

C

### METRIC DRAWING

SEE SHEET 2

#### NOTES:

THE USE OF THIS DOCUMENT IS UNLIMITED. HOWEVER, DOCUMENTS REFERENCED HEREON MAY CONTAIN LIMITED RIGHTS DATA.

NONE	PRO/ENGINEER INFORMATION
NONE	Pro/e Model Used: 10-504637-012.DWG.ASSEM
NONE	Drawing Name: 10-504637-012
NONE	NEXT ASSEMBLY

SCALE 5.000

UNLESS OTHERWISE SPECIFIED		SPECIFICATIONS		POS	QTY	PART NUMBER	DESCRIPTION	NOTE
LINEAR DIMENSIONS ARE IN MILLIMETERS TOLERANCES: .XXXX = ±NA ANGLES= ±2° .XXX = ±NA .XX = ±.13 .X = ±.25		MATERIAL SPEC. NONE		APPROVALS		DATE	<b>AMPHENOL CORPORATION</b> 40-60 DELAWARE AVENUE SIDNEY, N.Y. 13838 <b>CONNECTOR, FIBER OPTIC, MODULE,          1 MT SPECIAL          (VITA 66.4 ENVELOPE)</b>	U
DIM. & TOL. PER ASME Y14.5M; DRM PER MIL-DTL-31000; OTHER Amphenol Sds. PER 9-3800		PROCESS SPEC. 9-3895 9-3856-5		PREPARED BY R. CHAPMAN	ENGINEER IN CHARGE E. HICKEY	03-Apr-18		
LEGENDS: =FLAG NOTE CALL OUT REFERENCE ONLY		THIRD ANGLE PROJECTION		DESIGN MANAGER R. SELFRIDGE	DESIGN ACTIVITY GROUP BLP			
SCALE: 3.0		REF: 10-504637-008		SHEET 1 OF 3		SIZE C CAGE CODE 77820 DOCUMENT NO. 10-504637-012 REV. PA1		

10-504637-012

SHEET 1 OF 3

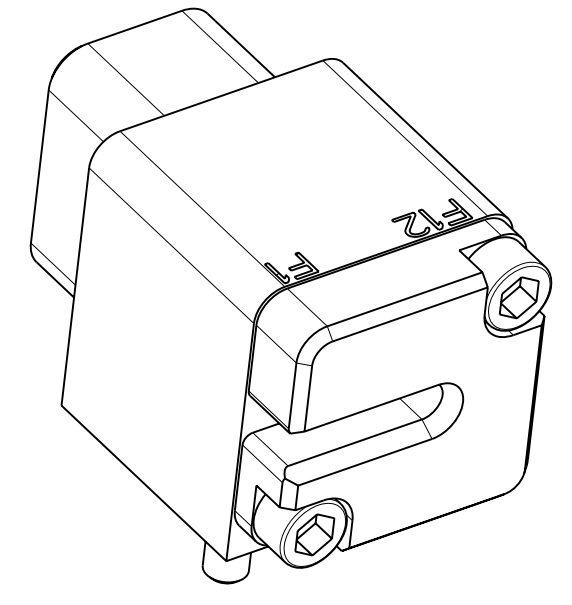
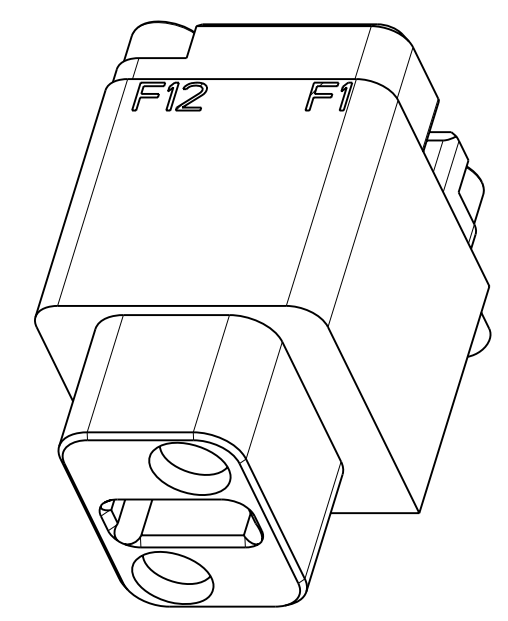
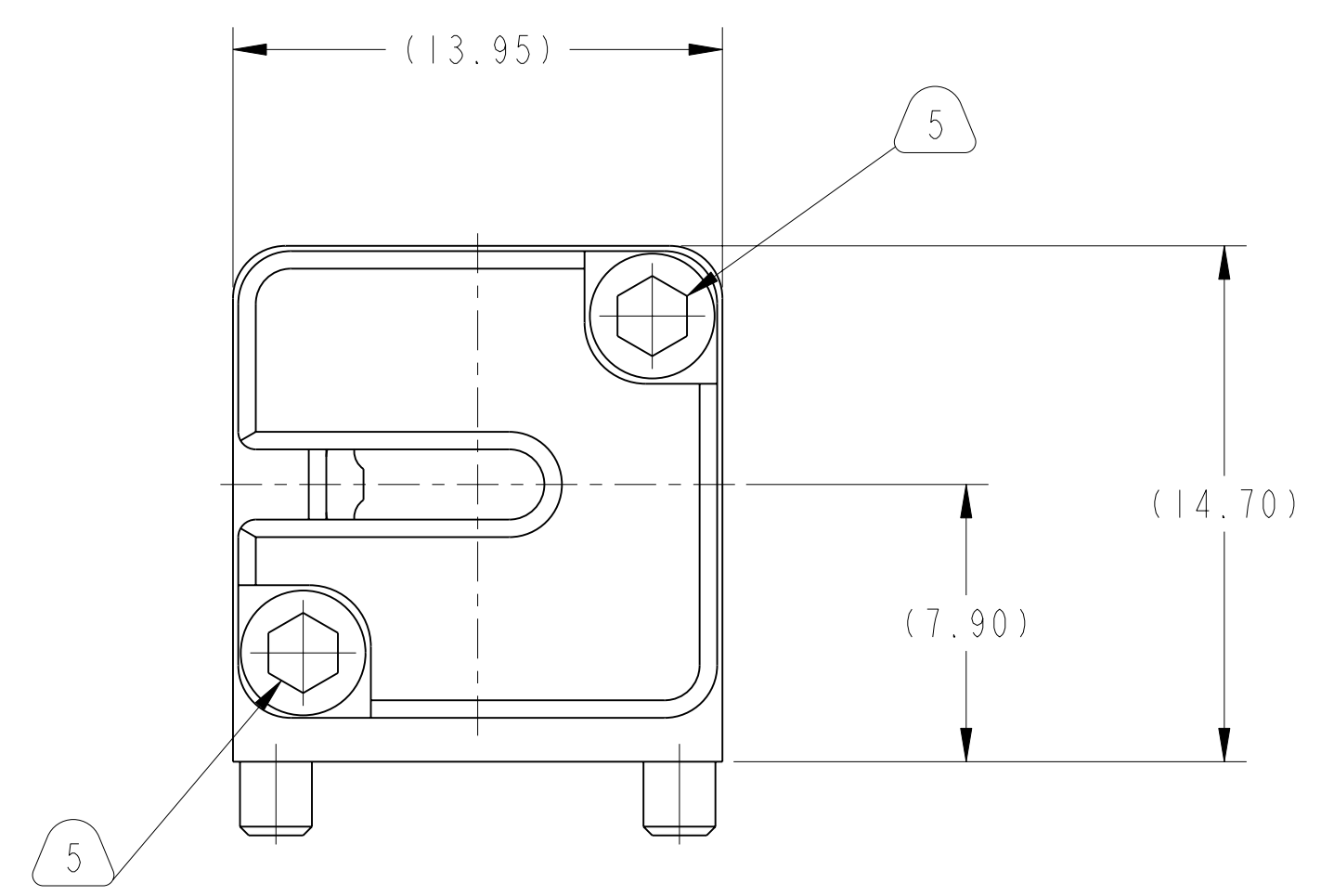
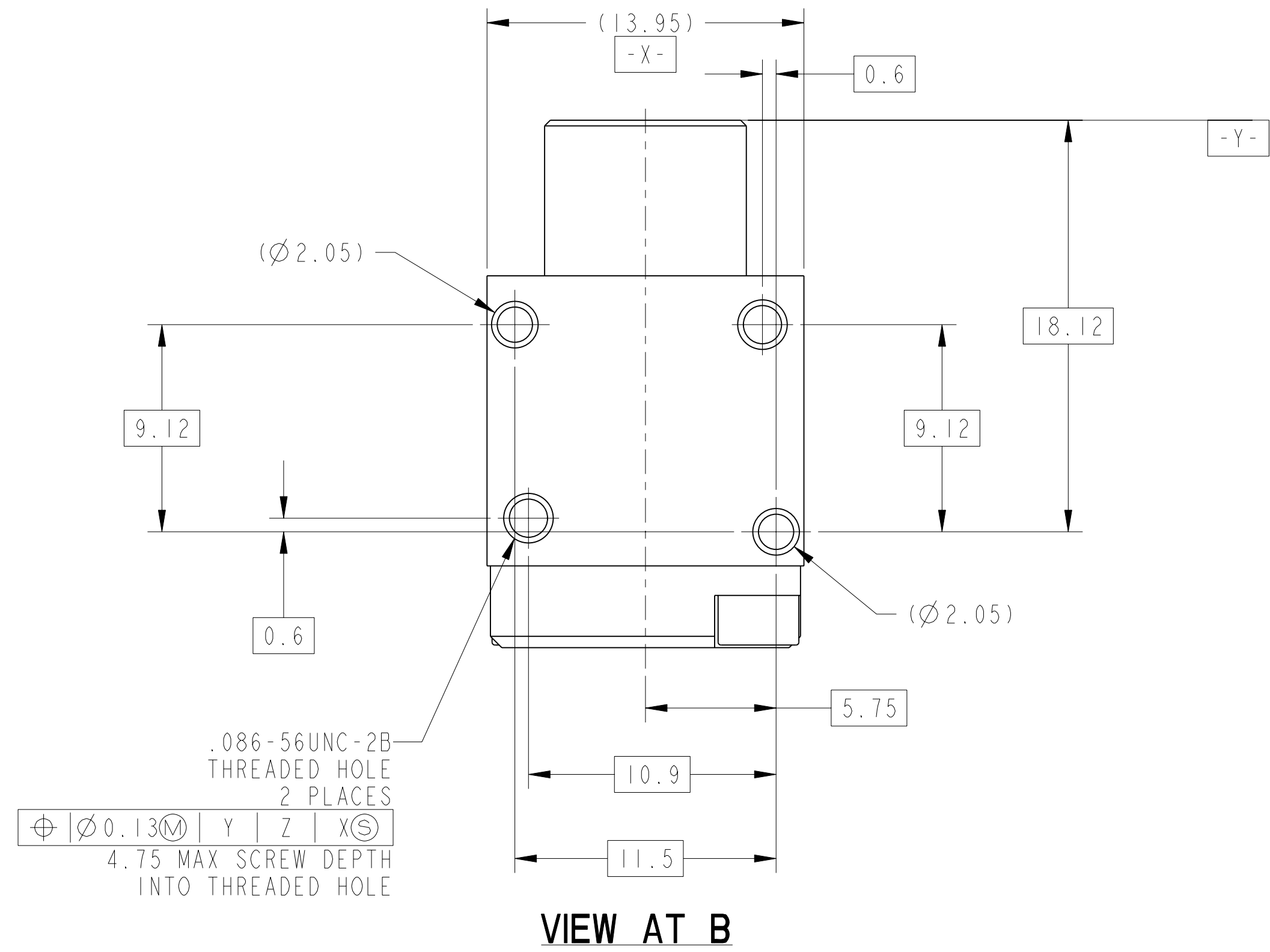
REV. PA1

A

C

D

10-504637-012  
SHEET 2 OF 3  
REV. PA1



1. BLACK INK STAMP "AMPH 77820" PART NUMBER AND DATE CODE ON INDICATED SURFACE PER 9-3856-5. DATE CODE PER 9-3895. CHARACTERS TO BE 1.6±.51 (.062±.005 INCH). HIGH. ADDITIONAL INFORMATION MAY BE REQUESTED BY PURCHASE ORDER. STAMP ING CAN BE ON BOTH SIDES OF PART.
2. FOR MATING BACKPLANE CONNECTOR ASSEMBLY, SEE DRAWING 10-504639-010.
3. FOR CONNECTOR INSTALLATION ILLUSTRATION SEE SHEET 3.
4. INSERT CAVITIY IS FOR A FIBER OPTIC MT FERRULE PER IEC 61754-5 MT FERRULES AND ASSOCIATED RIBBON CABLE ARE NOT PART OF THIS ASSEMBLY.
5. RETAINER SCREWS TO BE TIGHTENED TO A TORQUE OF 2 -3 IN-LBS. RETAINER SHOULD BE BOTTOMED ON CONNECTOR BODY.

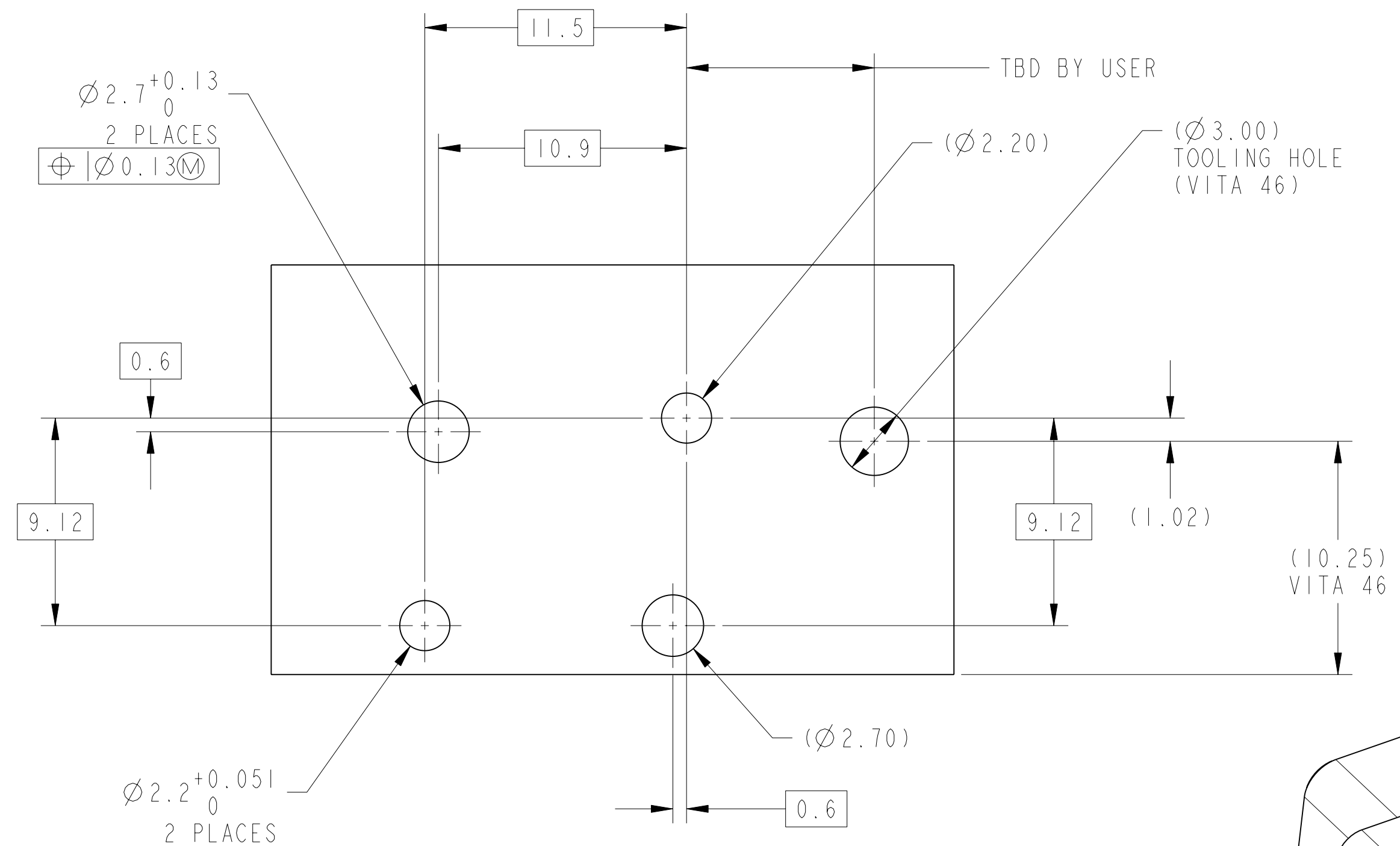
THE USE OF THIS DOCUMENT IS UNLIMITED.  
HOWEVER, DOCUMENTS REFERENCED HEREON  
MAY CONTAIN LIMITED RIGHTS DATA.

**MATERIALS AND FINISHES**

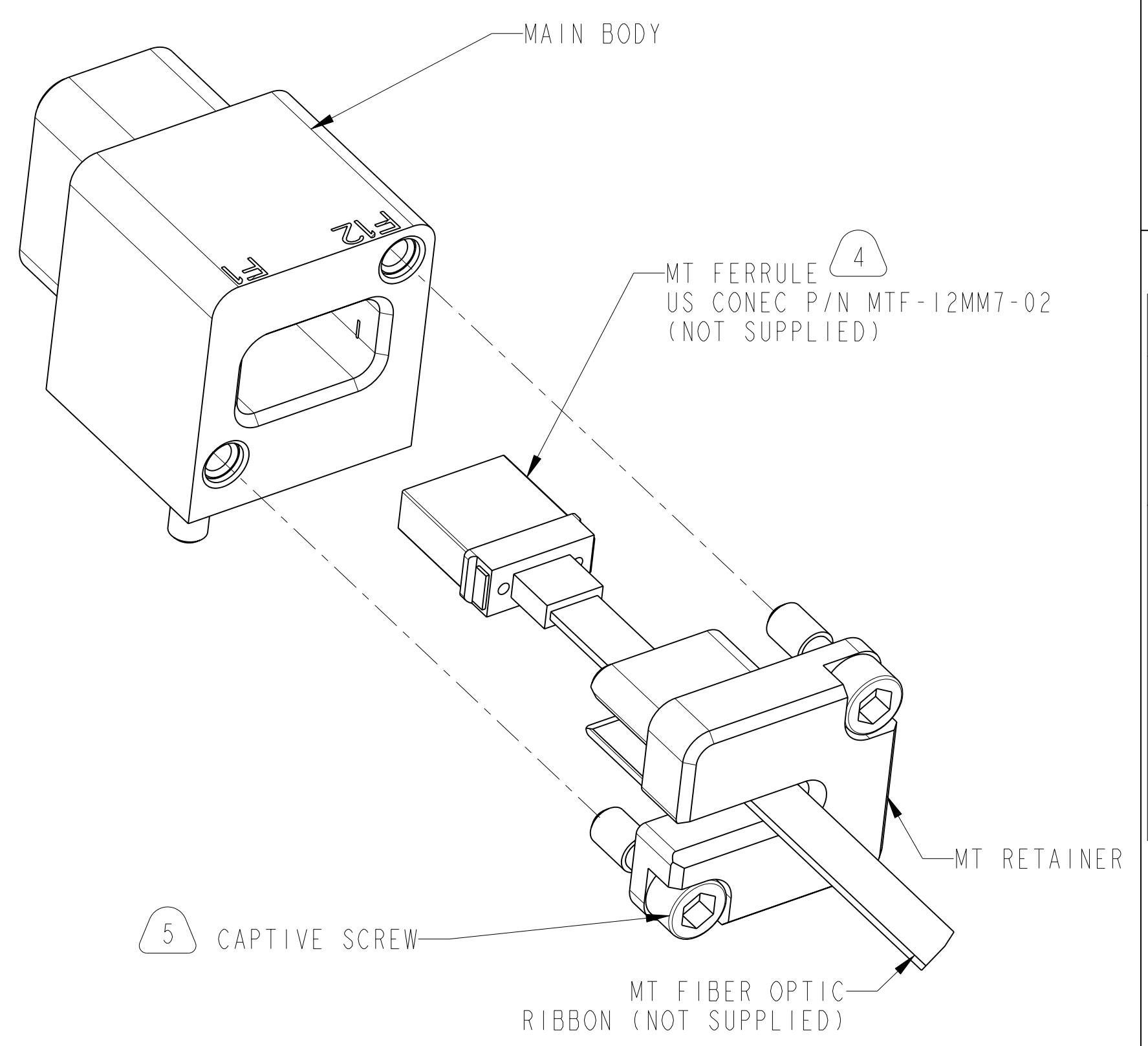
COMPONENT	MATERIAL/ FINISH
MAIN BODY	BODY - MATERIAL - ALUM. ALLOY PER AMS 4150 FINISH - CHROMATE TREATMENT PER MIL-C-5541, CL 3 HELICAL INSERTS - STAINLESS STEEL 304 SERIES PASSIVATED
MT RETAINER	BODY - MATERIAL - ALUM. ALLOY PER AMS 4150 FINISH - CHROMATE TREATMENT PER MIL-C-5541, CL 3 SCREW - STAINLESS STEEL 300 SERIES PASSIVATED

SIZE <b>C</b>	CAGE CODE <b>77820</b>	DOCUMENT NO. <b>10-504637-012</b>	REV. <b>PA1</b>
SCALE: 3.0	REF. 10-504637-008	SHEET 2 OF 3	

10-504637-012  
SHEET 2 OF 3  
REV. PA1



**SUGGESTED MODULE PCB  
INTERFACE DIMENSIONS**  
SCALE 5.000



**REAR EXPLODED  
ASSEMBLY VIEW**  
SCALE 4.000

THE USE OF THIS DOCUMENT IS UNLIMITED.  
HOWEVER, DOCUMENTS REFERENCED HEREON  
MAY CONTAIN LIMITED RIGHTS DATA.

SIZE <b>C</b>	CAGE CODE <b>77820</b>	DOCUMENT NO. <b>10-504637-012</b>	REV. <b>PA1</b>
SCALE: 3.0	REF. 10-504637-008	SHEET 3 OF 3	

## X-ON Electronics

Largest Supplier of Electrical and Electronic Components

*Click to view similar products for [Fibre Optic Connectors](#) category:*

*Click to view products by [Amphenol](#) manufacturer:*

Other Similar products are found below :

[0004700001](#) [6100-R](#) [6313](#) [F709722200](#) [F709730000](#) [F718183204](#) [F727403500](#) [F727752800](#) [8119](#) [9440F20-27S-190](#) [944-120-6001](#)  
[9441F10SL-3S](#) [9444W28-21S](#) [9444W36-10S](#) [9446W20-16S](#) [953-101-5310-P](#) [954-101-57202B](#) [A0270169](#) [12-9122](#) [12-5702](#) [AX101713](#)  
[AX102420](#) [AX103923](#) [AX104024](#) [AX104193](#) [AX104230](#) [AX104562](#) [AX105203-B25](#) [AX105205-S1](#) [EHSC2M](#) [17-300800](#) [181-011-126](#)  
[181-011-S](#) [181-057-126](#) [NKSOPBUY](#) [20500002116](#) [2064996-1](#) [20800001065](#) [2170](#) [9132](#) [2612](#) [2620](#) [9291](#) [9440F16-10S](#) [9440F20-18S](#)  
[9444W32-73S](#) [9446F16-10S-190](#) [953-106-50231](#) [953-120-5003](#) [955-120-5110](#)