

REV. PA1	SHEET 1 OF 3	DOCUMENT NO. 10-504637-013
M REVISIONS		
LTR	DESCRIPTION	DATE
PA1	INITIAL RELEASE	4/4/18

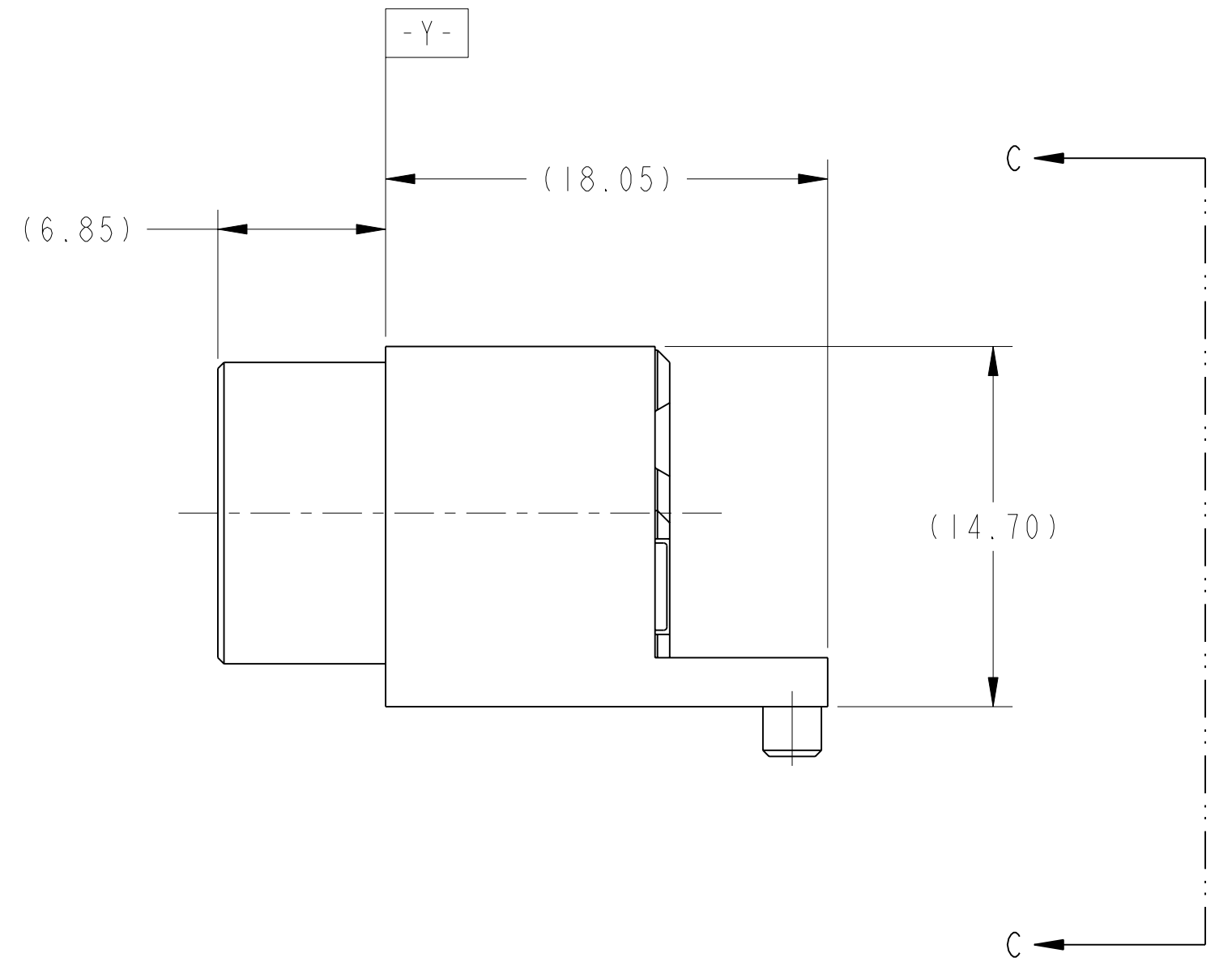
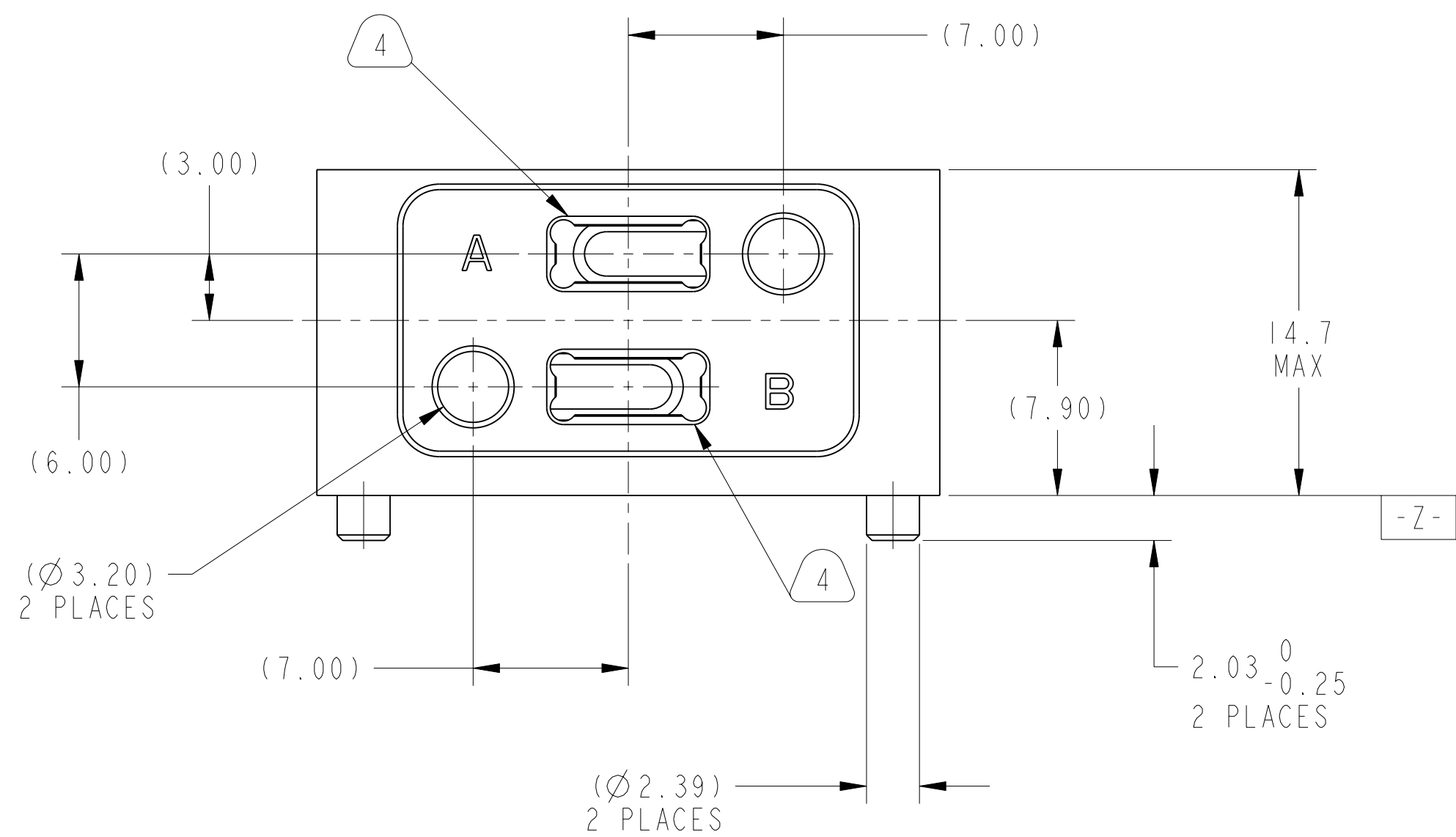
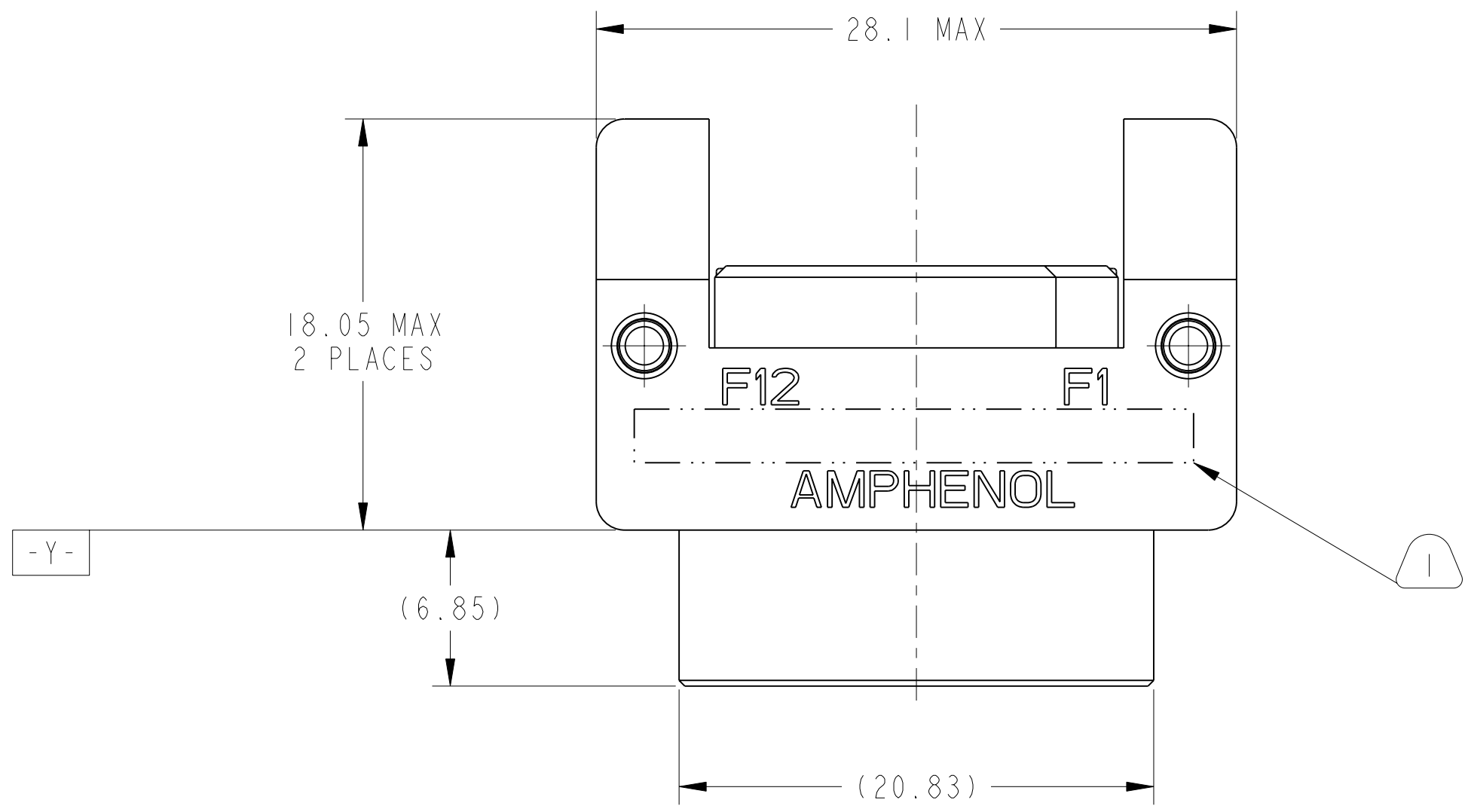
10-504637-013

SHEET 1 OF 3
REV. PA1

C

B

A



10-504637-013
SHEET 1 OF 3
REV. PA1

10-504637-013
SHEET 1 OF 3
REV. PA1

A

SEE NOTE 2

NOTES:
THE USE OF THIS DOCUMENT IS UNLIMITED. HOWEVER, DOCUMENTS REFERENCED HEREON MAY CONTAIN LIMITED RIGHTS DATA.

SCALE 4.000

NONE	PRO/ENGINEER INFORMATION
NONE	Pro/e Model Used: 10-504637-013.DWG.ASSEM
NONE	Drawing Name: 10-504637-013
NONE	NEXT ASSEMBLY

UNLESS OTHERWISE SPECIFIED
LINEAR DIMENSIONS ARE IN MILLIMETERS
TOLERANCES:
.XXXX = ±NA ANGLES= ±2°
.XXX = ±NA
.XX = ±.13
.X = ±.25

DIM. & TOL. PER ASME Y14.5M;
DRM PER MIL-DTL-31000;
OTHER Amphenol Sids. PER 9-3800

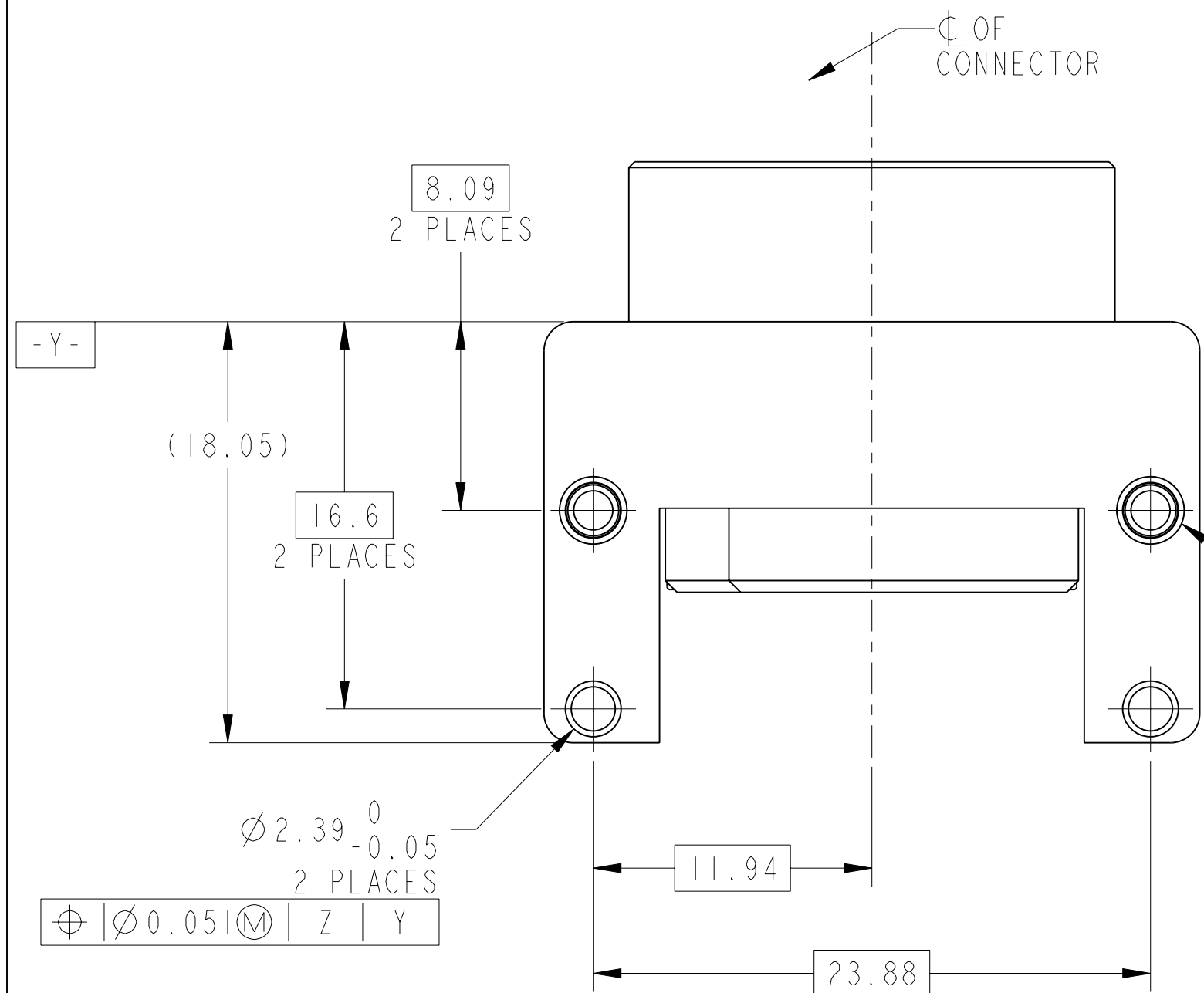
LEGENDS:
= FLAG NOTE CALL OUT REFERENCE ONLY

SPECIFICATIONS	POS	QTY	PART NUMBER	DESCRIPTION	NOTE
MATERIAL SPEC.					
NONE					
PROCESS SPEC.					
9-3895					
9-3856-5					

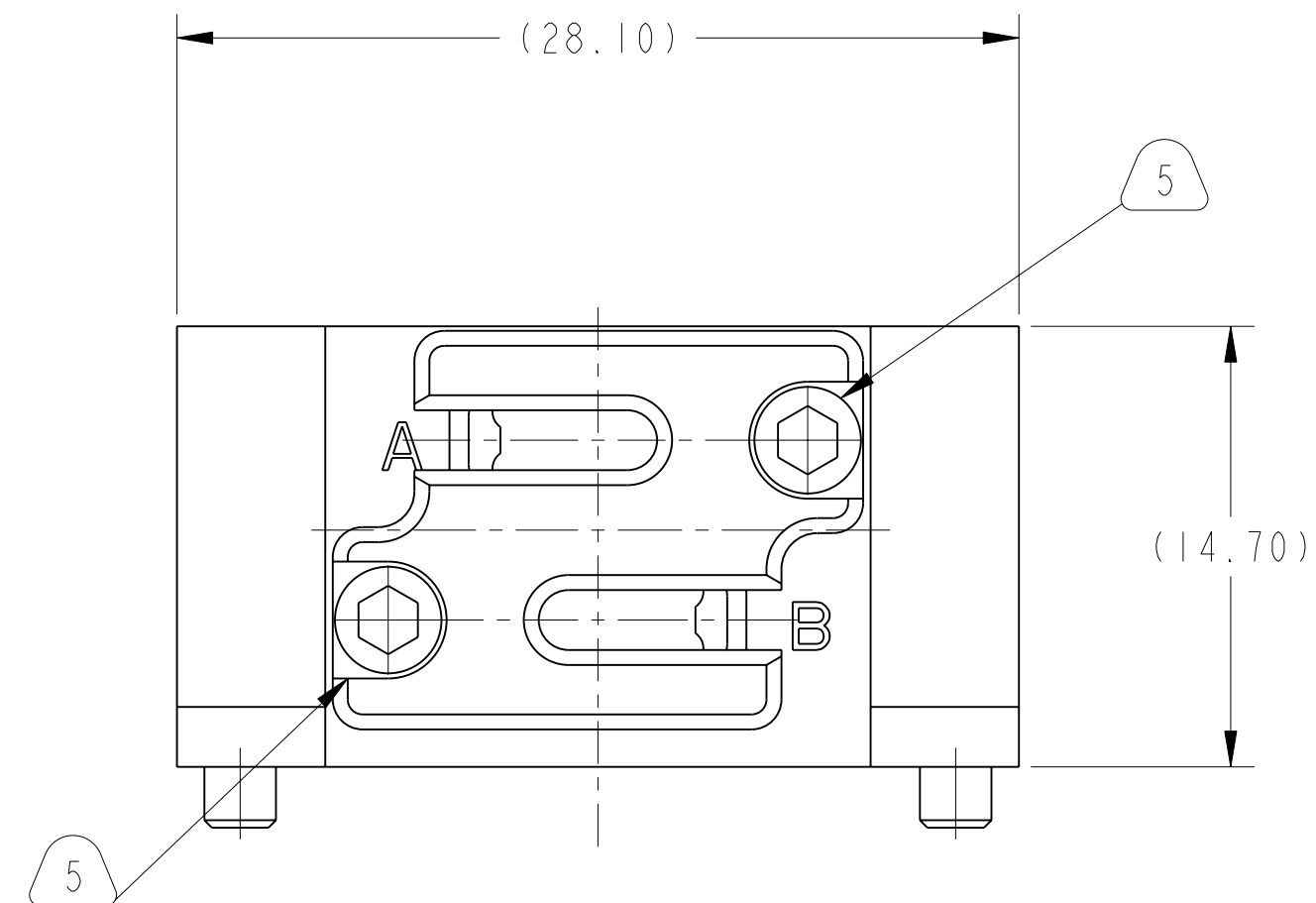
APPROVALS	DATE
PREPARED BY R. CHAPMAN	
ENGINEER IN CHARGE E. HICKEY	04-Apr-18
DESIGN MANAGER R. SELFRIDGE	
DESIGN ACTIVITY GROUP BLP	
THIRD ANGLE PROJECTION	

PARTS LIST			
AMPHENOL CORPORATION 40-60 DELAWARE AVENUE SIDNEY, N.Y. 13838			
CONNECTOR, FIBER OPTIC, MODULE, 2 MT SPECIAL (VITA 66.1 ENVELOPE)			
SIZE C	CAGE CODE 77820	DOCUMENT NO. 10-504637-013	REV. PA1
SCALE: 3.0		REF: 10-504637-004	SHEET 1 OF 3

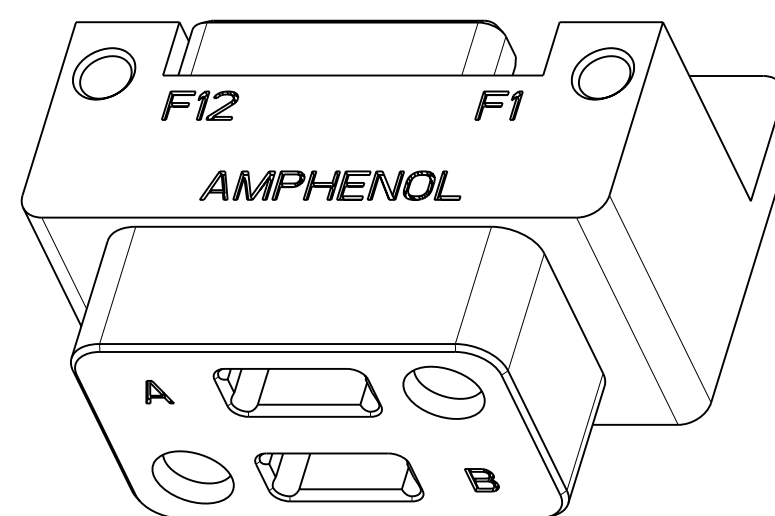
METRIC DRAWING



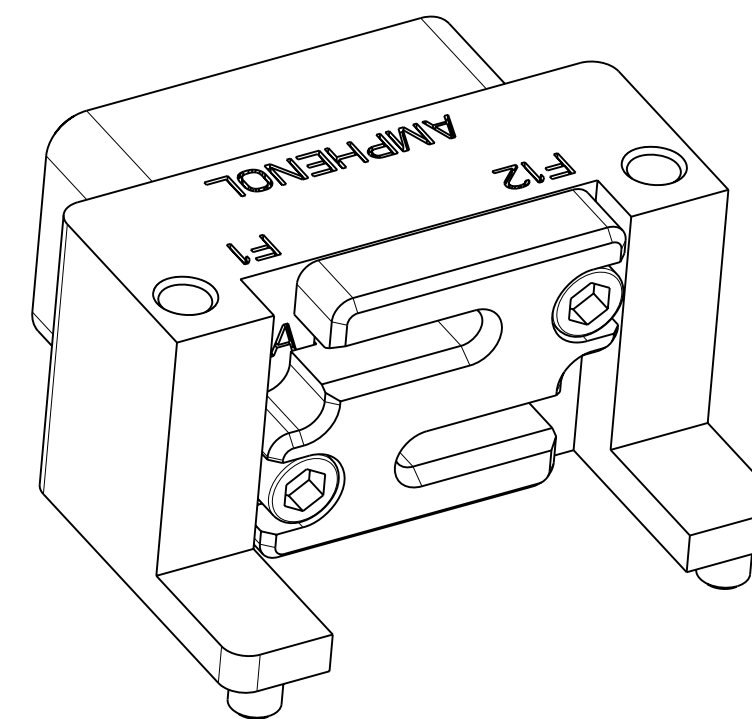
VIEW AT B



VIEW AT C



FRONT ISO VIEW



REAR ISO VIEW

5. RETAINER SCREWS TO BE TIGHTENED TO A TORQUE OF 2 -3 IN-LBS. RETAINER SHOULD BE BOTTOMED ON CONNECTOR BODY.
4. INSERT CAVITIES ARE FOR A FIBER OPTIC MT FERRULE PER IEC 61754-5 MT FERRULES AND ASSOCIATED RIBBON CABLE ARE NOT PART OF THIS ASSEMBLY.
3. FOR CONNECTOR INSTALLATION ILLUSTRATION SEE SHEET 3.
2. FOR MATING BACKPLANE CONNECTOR ASSEMBLY, SEE DRAWING 10-504639-011.
1. BLACK INK STAMP "77820", PART NUMBER AND DATE CODE ON INDICATED SURFACE PER 9-3856-5. DATE CODE PER 9-3895. CHARACTERS TO BE 1.6±.51 (.062±.005 INCH). HIGH. ADDITIONAL INFORMATION MAY BE REQUESTED BY PURCHASE ORDER. STAMPING CAN BE ON BOTH SIDES OF PART.

THE USE OF THIS DOCUMENT IS UNLIMITED. HOWEVER, DOCUMENTS REFERENCED HEREON MAY CONTAIN LIMITED RIGHTS DATA.

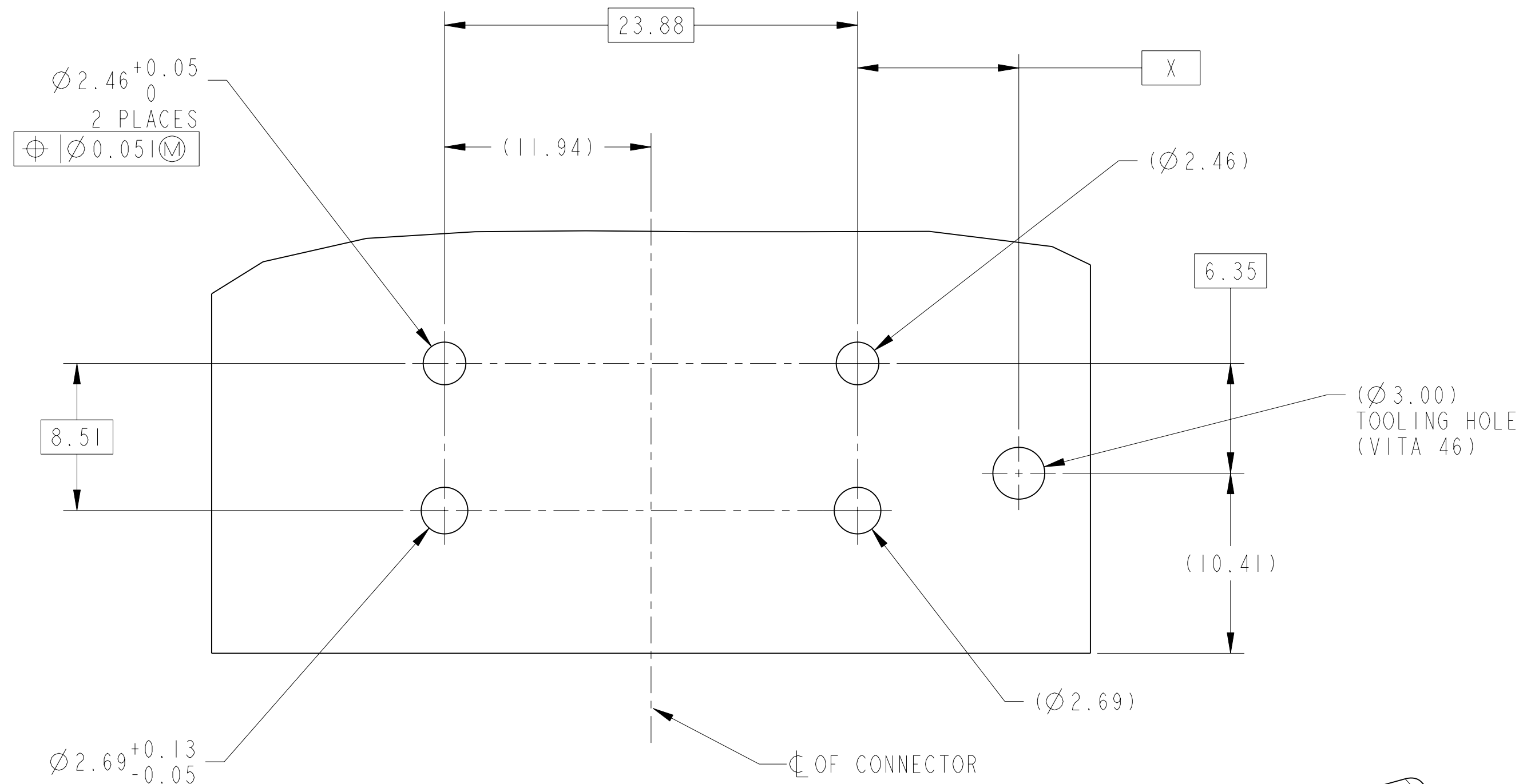
MATERIALS AND FINISHES

COMPONENT	MATERIAL/ FINISH
MAIN BODY	BODY - MATERIAL - ALUM. ALLOY PER AMS 4150 FINISH - CHROMATE TREATMENT PER MIL-C-5541, CL 3 HELICAL INSERTS - STAINLESS STEEL 304 SERIES PASSIVATED
MT RETAINER	BODY - MATERIAL - ALUM. ALLOY PER AMS 4150 FINISH - CHROMATE TREATMENT PER MIL-C-5541, CL 3 SCREW - STAINLESS STEEL 300 SERIES PASSIVATED

SIZE C	CAGE CODE 77820	DOCUMENT NO. 10-504637-013	REV. PA1
SCALE: 3.0	REF. 10-504637-004	SHEET 2 OF 3	

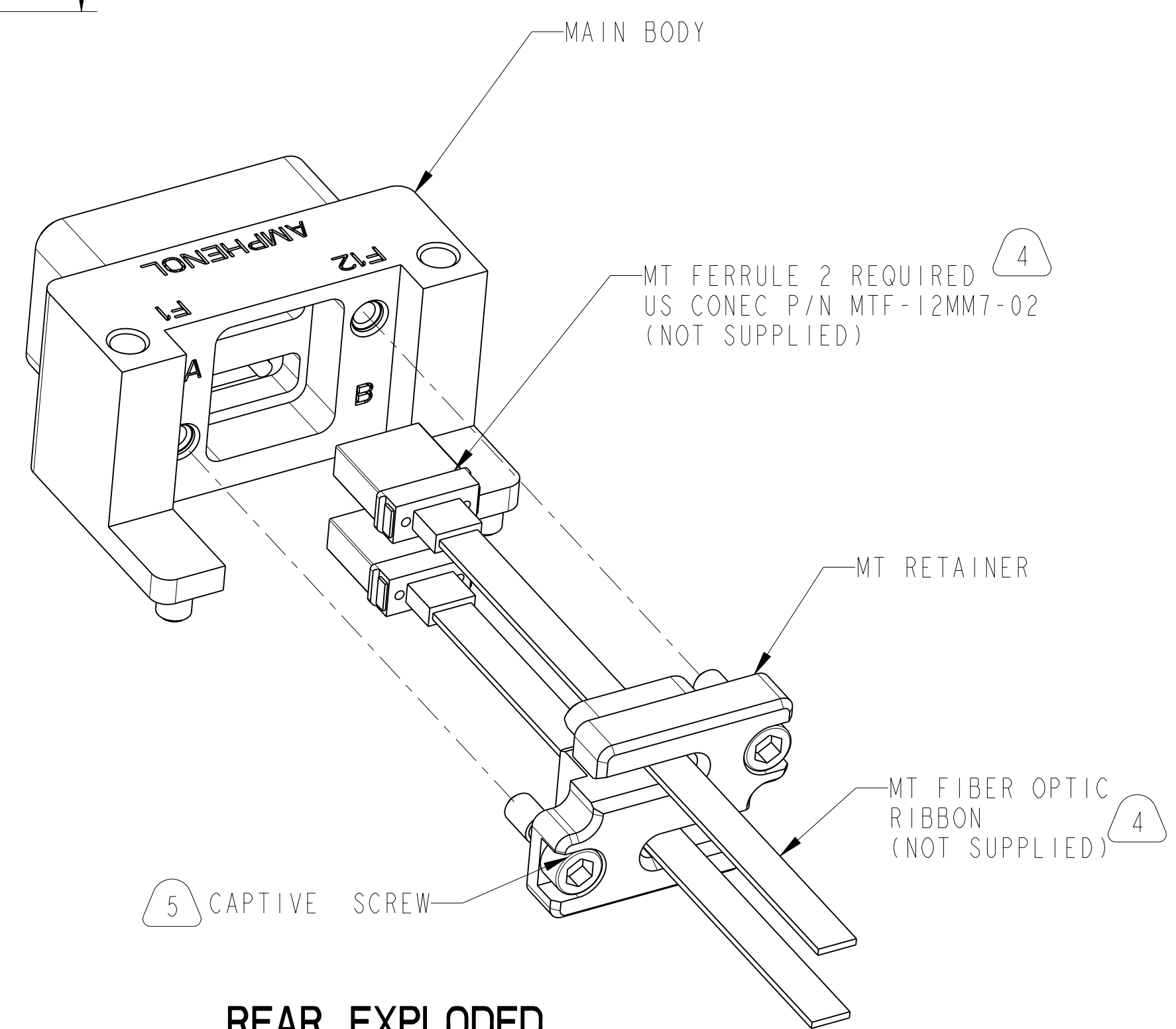
CONNECTOR LOCATION ON MODULE PCB

POSITION	DIM "X" MM (INCH)
P2	53.73
P3	96.55
P4	125.35
P5	154.15
P6	182.95



**SUGGESTED MODULE PCB
 INTERFACE DIMENSIONS**

SCALE 4.000



**REAR EXPLODED
 ASSEMBLY VIEW**

SCALE 3.000

THE USE OF THIS DOCUMENT IS UNLIMITED.
 HOWEVER, DOCUMENTS REFERENCED HEREON
 MAY CONTAIN LIMITED RIGHTS DATA.

SIZE	CAGE CODE	DOCUMENT NO.	REV.
C	77820	10-504637-013	PA1
SCALE: 3.0	REF. 10-504637-004	SHEET 3 OF 3	

DOCUMENT NO. 10-504637-013
 SHEET 3 OF 3
 REV. PA1
 C
 B
 A
 FORMAT: C-U-L-E-REV-B

DOCUMENT NO. 10-504637-013
 SHEET 3 OF 3
 REV. PA1

X-ON Electronics

Largest Supplier of Electrical and Electronic Components

Click to view similar products for [Fibre Optic Connectors](#) category:

Click to view products by [Amphenol](#) manufacturer:

Other Similar products are found below :

[0004700001](#) [6100-R](#) [6313](#) [F709722200](#) [F709730000](#) [F718183204](#) [F727403500](#) [F727752800](#) [8119](#) [9440F20-27S-190](#) [944-120-6001](#)
[9441F10SL-3S](#) [9444W28-21S](#) [9444W36-10S](#) [9446W20-16S](#) [953-101-5310-P](#) [954-101-57202B](#) [A0270169](#) [12-9122](#) [12-5702](#) [AX101713](#)
[AX102420](#) [AX103923](#) [AX104024](#) [AX104193](#) [AX104230](#) [AX104562](#) [AX105203-B25](#) [AX105205-S1](#) [EHSC2M](#) [17-300800](#) [181-011-126](#)
[181-011-S](#) [181-057-126](#) [NKSOPBUY](#) [20500002116](#) [2064996-1](#) [20800001065](#) [2170](#) [9132](#) [2612](#) [2620](#) [9291](#) [9440F16-10S](#) [9440F20-18S](#)
[9444W32-73S](#) [9446F16-10S-190](#) [953-106-50231](#) [953-120-5003](#) [955-120-5110](#)