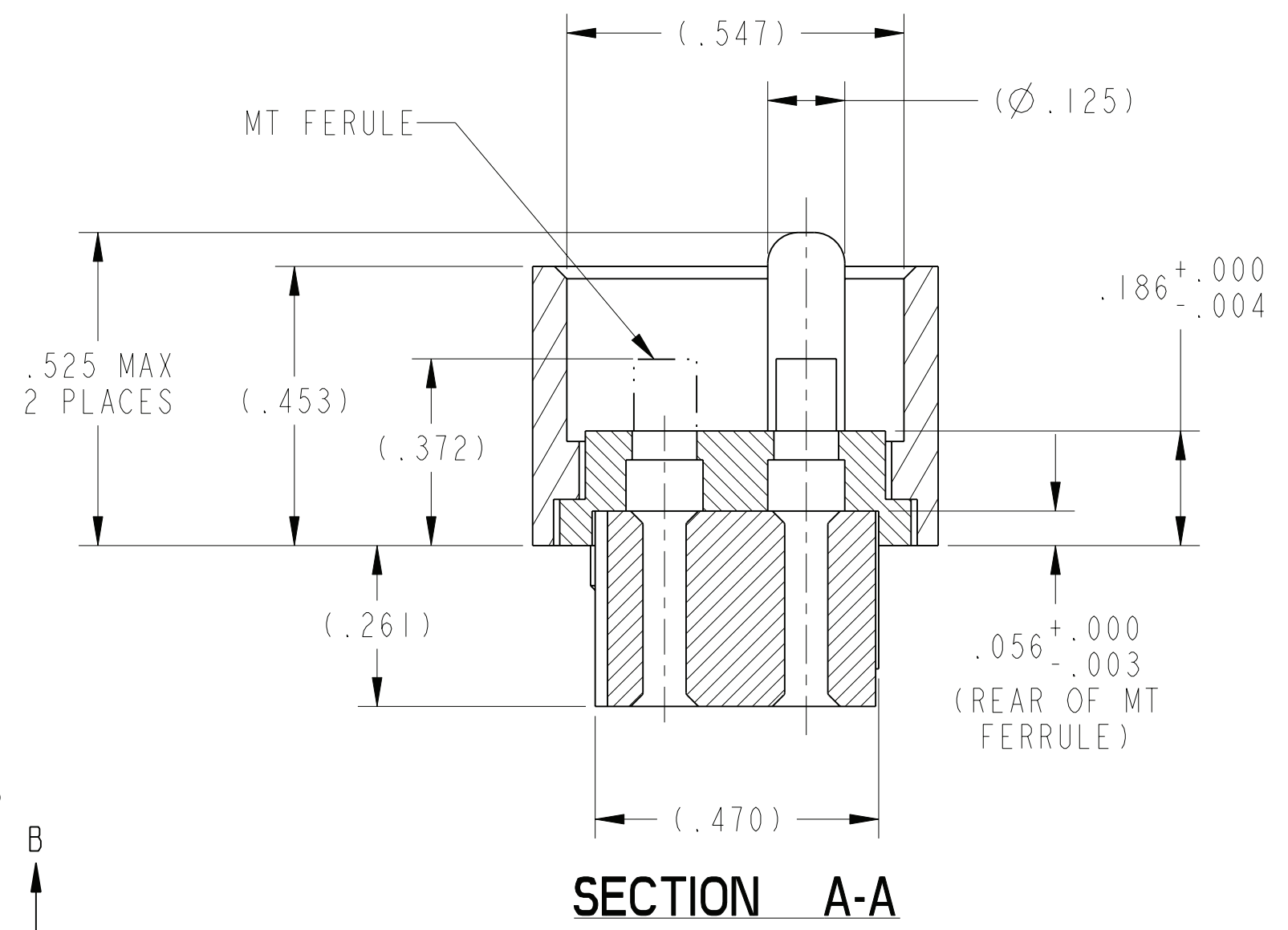
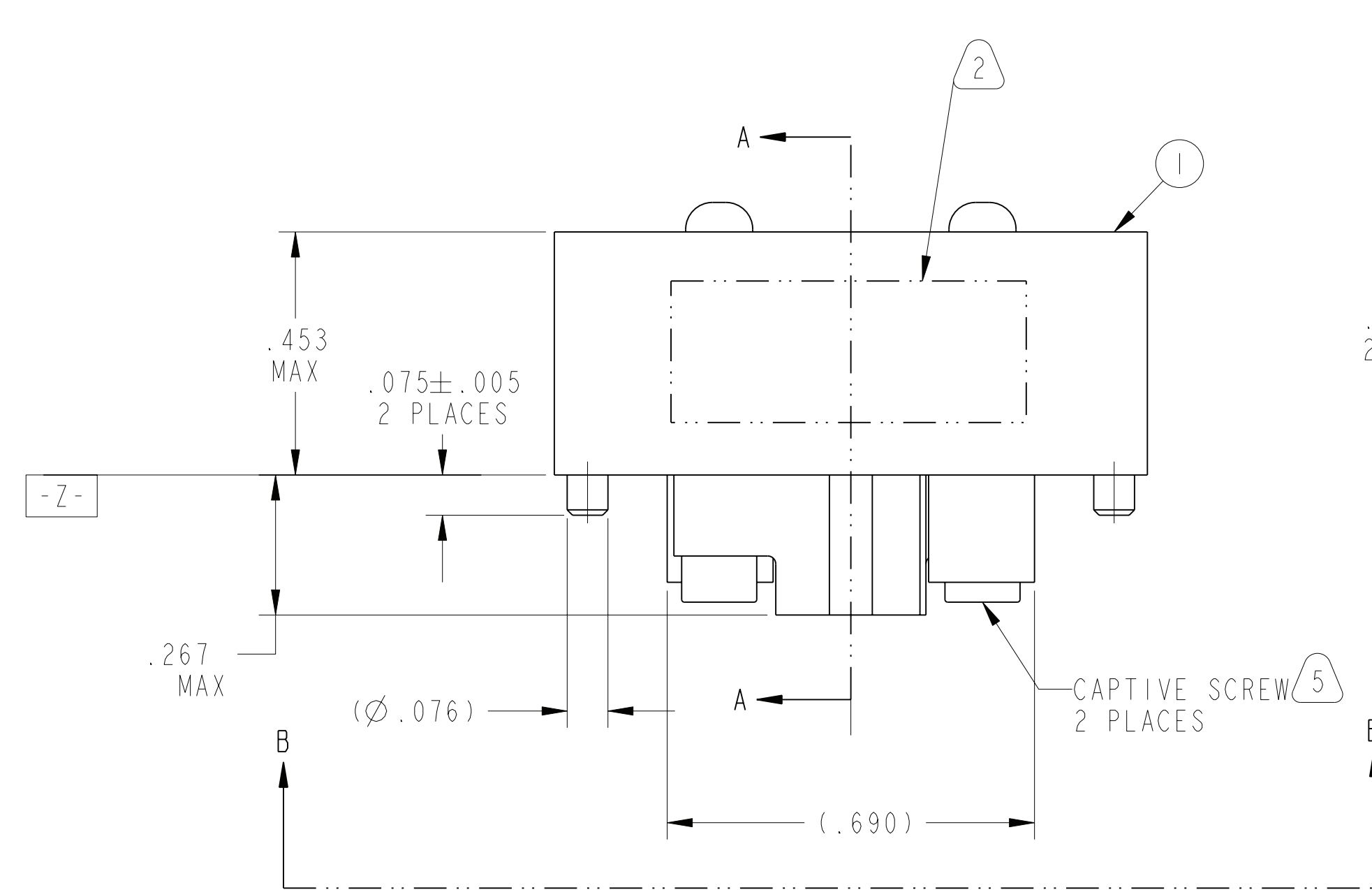
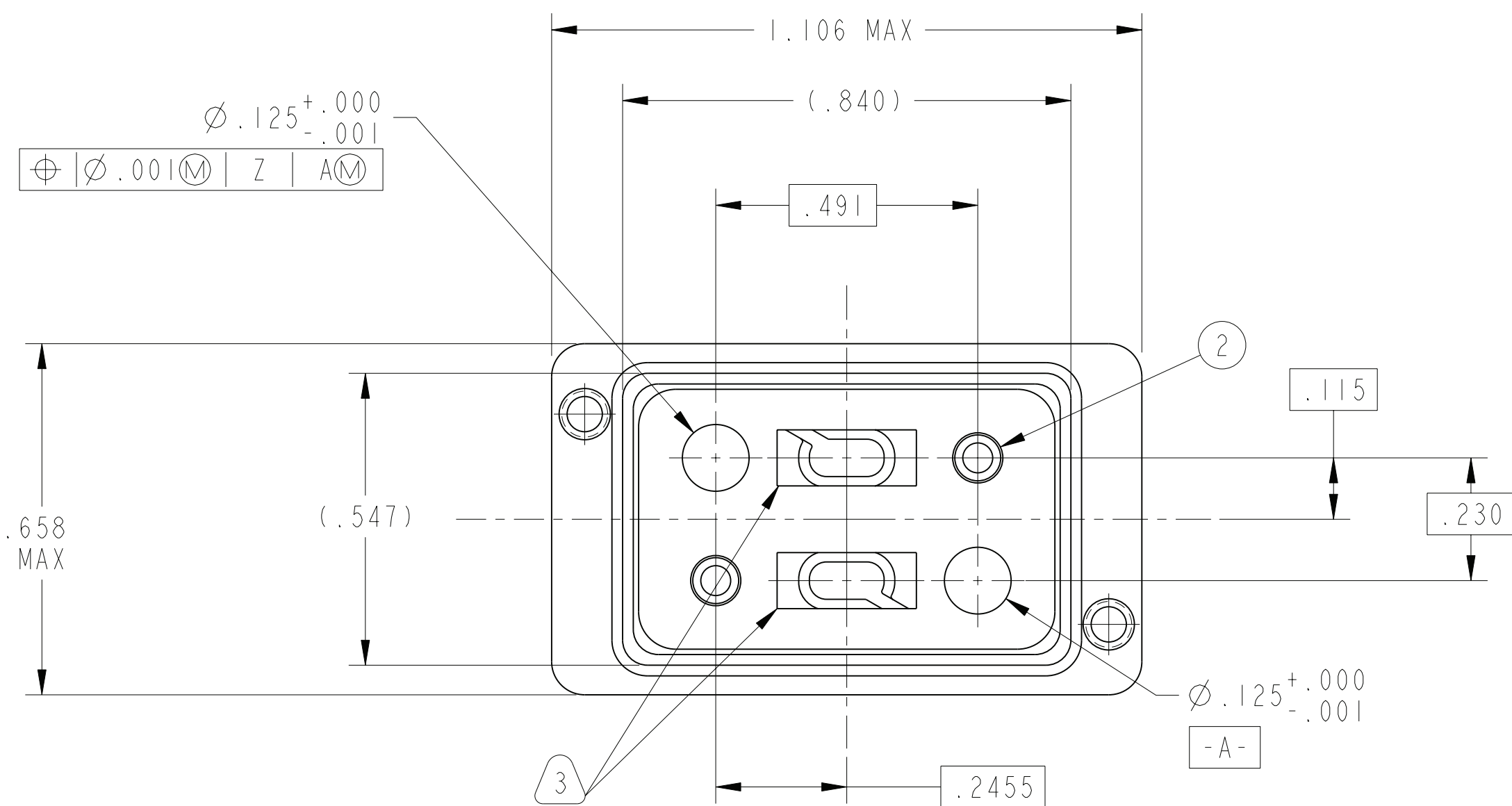


REV. B		DOCUMENT NO. 10-504639-002
SHEET 1 OF 3		REVISIONS
LTR	DESCRIPTION	DATE
A	PRODUCTION RELEASE	5/10/11
B	CL(11) SEE CHANGE NOTICE ECN: B2377	1/13/12 RKC



SECTION A-A

NOTES: SEE SHEET 2
 THE USE OF THIS DOCUMENT IS UNLIMITED. HOWEVER, DOCUMENTS REFERENCED HEREON MAY CONTAIN LIMITED RIGHTS DATA.

SCALE 4.000

UNLESS OTHERWISE SPECIFIED
 LINEAR DIMENSIONS ARE IN INCHES
 TOLERANCES:
 .XXXX = ±.0005 ANGLES = ±2°
 .XXX = ±.010
 .XX = ±.03
 .X = ±.1
 DIM. & TOL. PER ASME Y14.5M;
 DRM PER MIL-DTL-31000;
 OTHER Amphenol Sds. PER 9-3800
 LEGENDS:
 = FLAG NOTE CALL OUT REFERENCE ONLY

SPECIFICATIONS	
MATERIAL SPEC.	NA
PROCESS SPEC.	9-3856-5 9-3895

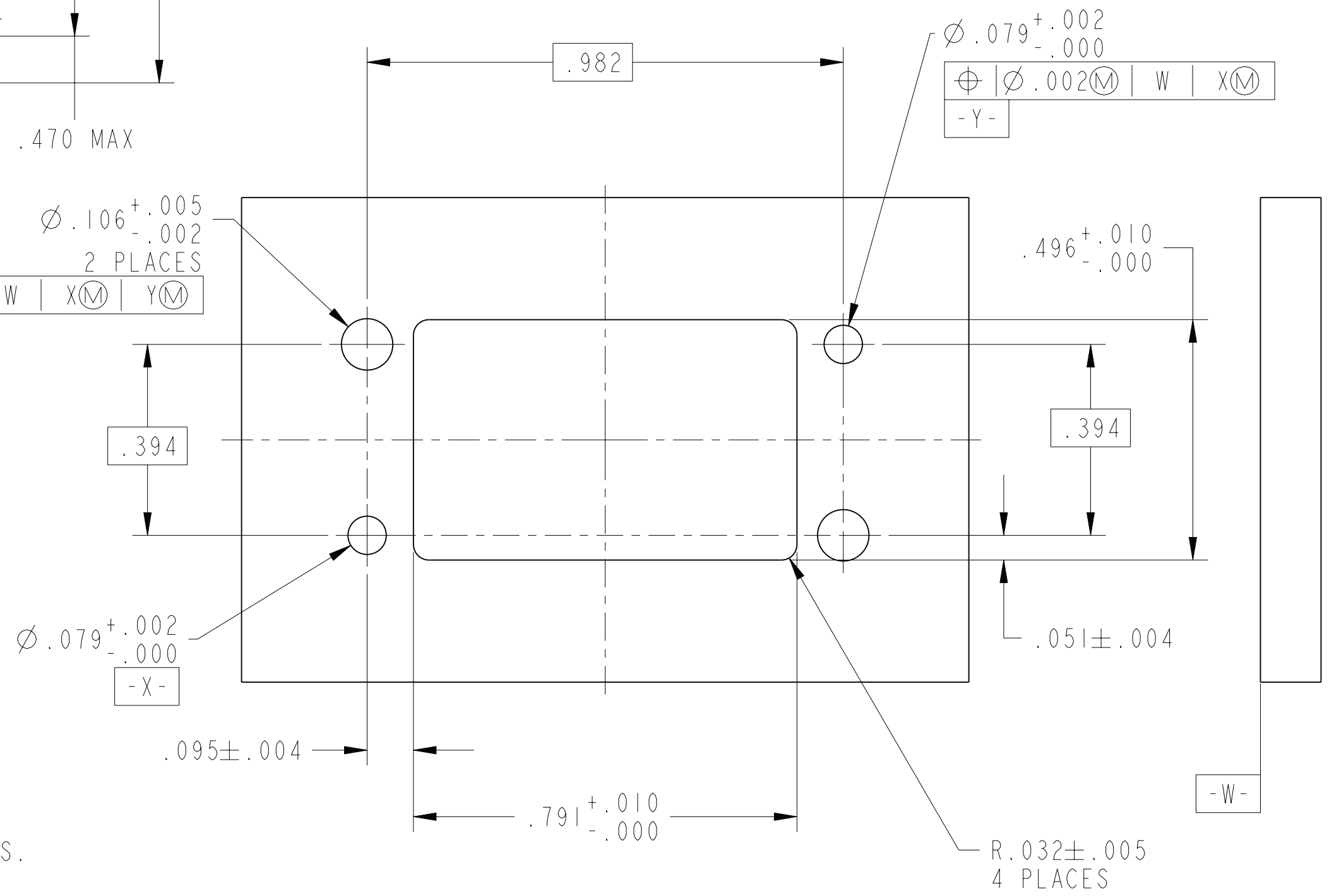
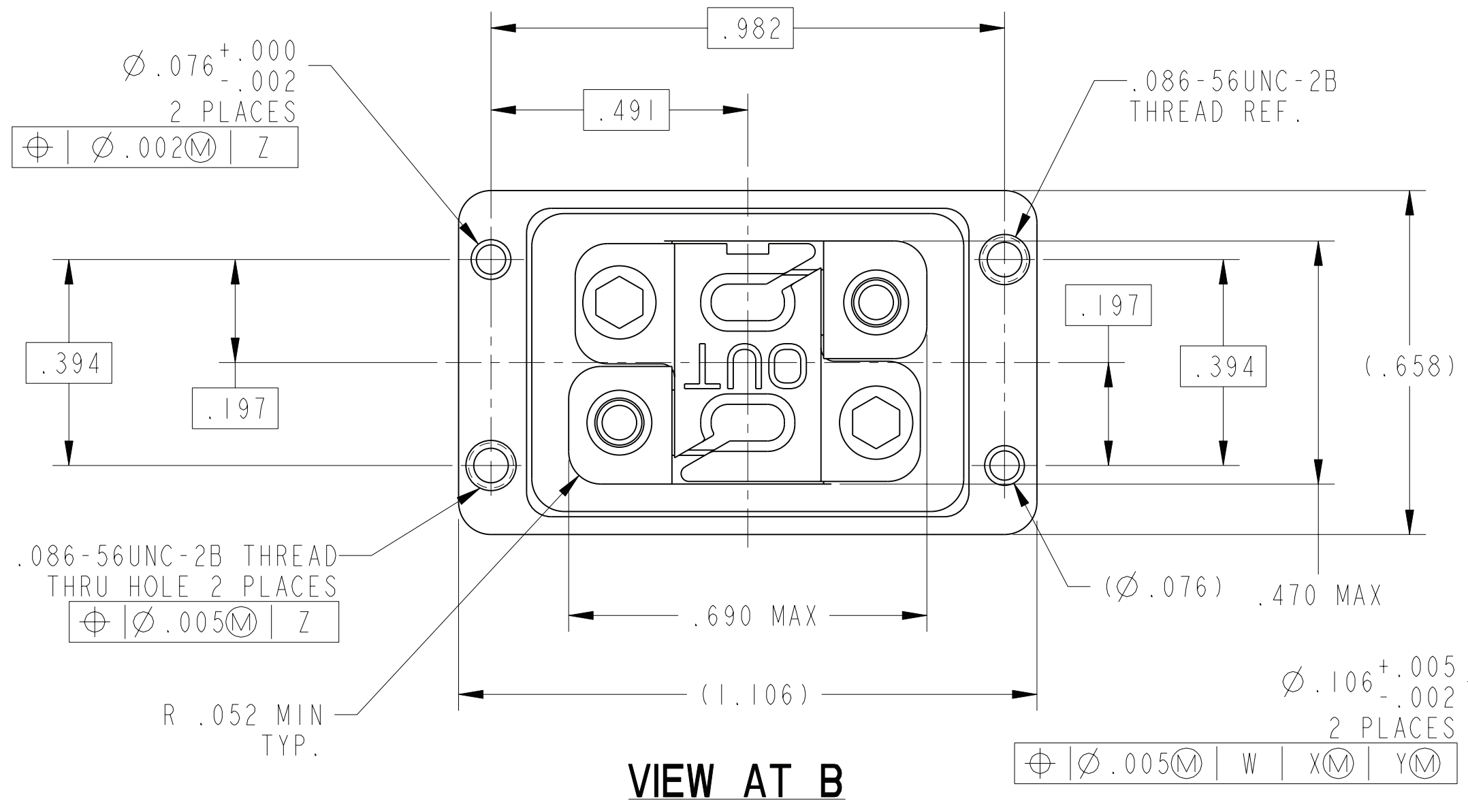
POS	QTY	PART NUMBER	DESCRIPTION	NOTE
2	1	10-504826-008	INSERT ASSEMBLY, FIBER OPTIC	
1	1	10-504640-002	SHELL, BACKPLANE	

APPROVALS		DATE
PREPARED BY	R. CHAPMAN	
ENGINEER IN CHARGE	E. HICKEY	11-May-09
DESIGN MANAGER	E. HICKEY	
DESIGN ACTIVITY GROUP	LRM	
THIRD ANGLE PROJECTION		

PARTS LIST			
AMPHENOL CORPORATION 40-60 DELAWARE AVENUE SIDNEY, N.Y. 13838			
CONNECTOR, FIBER OPTIC, BACKPLANE, 2 MT			
SIZE	CAGE CODE	DOCUMENT NO.	REV.
C	77820	10-504639-002	B
SCALE: 3.0 REF: 10-504639-001		SHEET 1 OF 3	

PRO/ENGINEER INFORMATION	
N/A	Pro/e Model Used:
N/A	10-504639-002.ASSEM
N/A	Drawing Name:
N/A	10-504639-002
NEXT ASSEMBLY	

DOCUMENT NO. 10-504639-002
 SHEET 1 OF 3
 REV. B
 C
 B
 A



SUGGESTED BACKPLANE BOARD CUTOUTS
 (CONNECTOR SIDE SHOWN)
 SCALE 4.000

7. FOR CONNECTOR INSTALLATION ILLUSTRATION AND MATED DIMENSIONS SEE SHEET 3.
6. FOR MATING MODULE CONNECTOR ASSEMBLY, SEE DRAWING 10-504637-004 AND OTHERS.
5. TIGHTEN CAPTIVE SCREWS TO 10-14 IN-OZ AFTER INSTALLING MT FERRULE (NOT INCLUDED).
4. FIBER OPTIC INSERT IS DESIGNED FOR MT TYPE FERRULES TERMINATED TO NON-STRENGTH MEMBERED RIBBON CABLE.
3. INDICATED CAVITIES WILL ACCOMODATE A STANDARD 12 CHANNEL MT FERRULE PER IEC 1754-5-4.
2. BLACK INK STAMP "AMPHENOL" PART NUMBER AND DATE CODE ON INDICATED SURFACE PER 9-3856-5. DATE CODE PER 9-3895. CHARACTERS TO BE .062 ± .020 HIGH. ADDITIONAL INFORMATION MAY BE REQUESTED BY PURCHASE ORDER.
1. PARTS ARE SHIPPED UNASSEMBLED.

THE USE OF THIS DOCUMENT IS UNLIMITED. HOWEVER, DOCUMENTS REFERENCED HEREON MAY CONTAIN LIMITED RIGHTS DATA.

SIZE C	CAGE CODE 77820	DOCUMENT NO. 10-504639-002	REV. B
SCALE: 3.0	REF. 10-504639-001	SHEET 2 OF 3	

10-504639-002

SHEET 2 OF 3

REV. B

C

B

FORMAT: C-ULE Rev. B

SHEET 2 OF 3

10-504639-002

A

REV. B

10-504639-002

SHEET 3 OF 3

REV. **B**

C

B

A

D

C

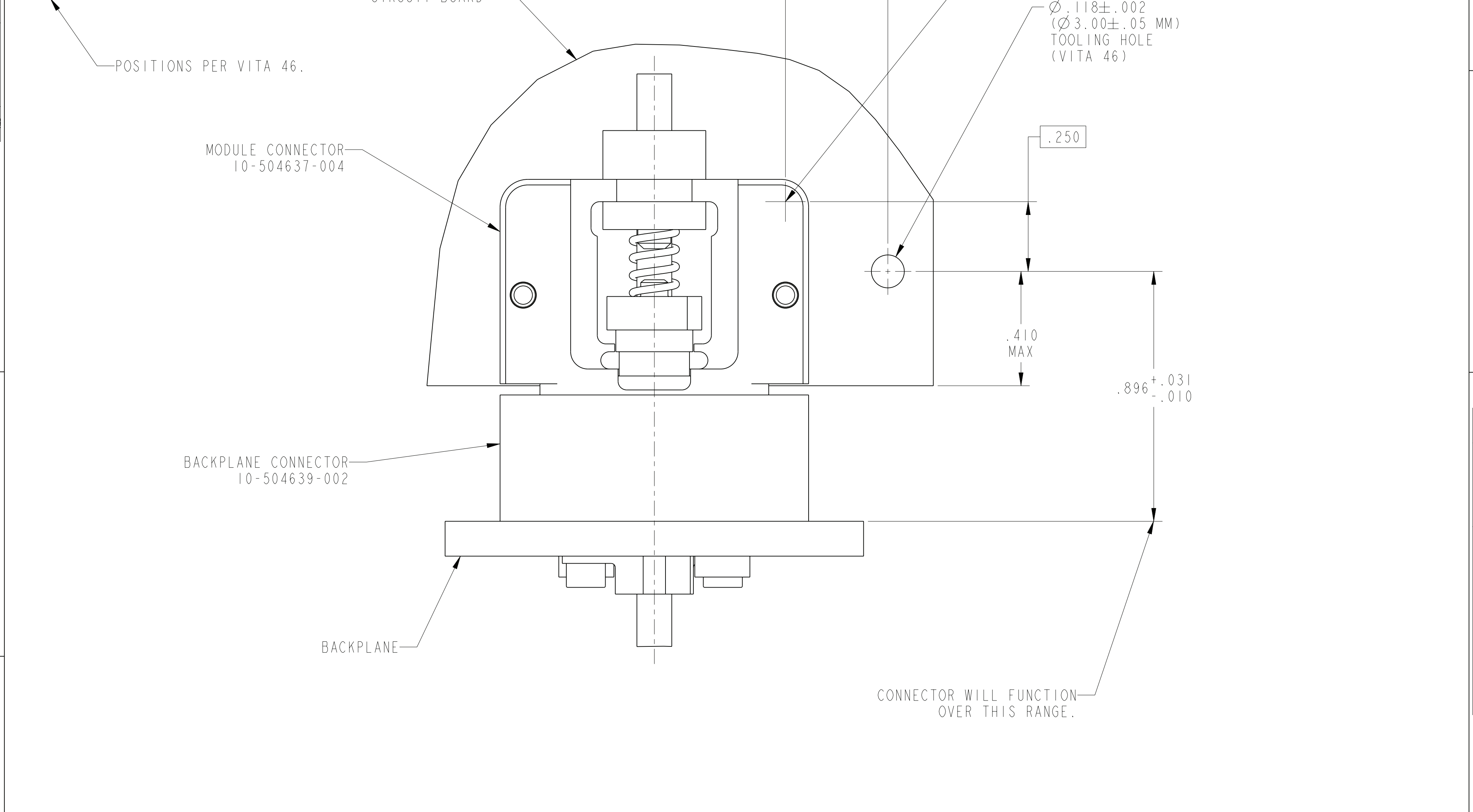
B

SHEET 3 OF 3

10-504639-002

A

CONNECTOR LOCATION ON MODULE PCB	
POSITION	DIM "X" MM (INCH)
P2	53.73 (2.1154)
P3	96.55 (3.8012)
P4	125.35 (4.9350)
P5	154.15 (6.0689)
P6	182.95 (7.2028)



THE USE OF THIS DOCUMENT IS UNLIMITED. HOWEVER, DOCUMENTS REFERENCED HEREON MAY CONTAIN LIMITED RIGHTS DATA.

CONNECTOR INSTALLATION ILLUSTRATION AND MATED DIMENSIONS

SCALE 4.000

SIZE C	CAGE CODE 77820	DOCUMENT NO. 10-504639-002	REV. B
SCALE: 3.0	REF. 10-504639-001	SHEET 3 OF 3	

X-ON Electronics

Largest Supplier of Electrical and Electronic Components

Click to view similar products for [Fibre Optic Connectors](#) category:

Click to view products by [Amphenol](#) manufacturer:

Other Similar products are found below :

[0004700001](#) [6100-R](#) [6313](#) [F709730000](#) [F718183204](#) [F727403500](#) [F727752800](#) [8119](#) [9440F20-27S-190](#) [944-120-6001](#) [9441F10SL-3S](#)
[9444W28-21S](#) [9444W36-10S](#) [9446F10SL-4S](#) [9446W20-16S](#) [953-101-5310-P](#) [954-101-57202B](#) [A0270169](#) [12-9122](#) [12-5702](#) [AX101713](#)
[AX102420](#) [AX103923](#) [AX104024](#) [AX104193](#) [AX104230](#) [AX104562](#) [AX105203-B25](#) [AX105205-S1](#) [EHSC2M](#) [17-300800](#) [181-011-126](#)
[181-011-S](#) [181-057-126](#) [NKSOPBUY](#) [20500002116](#) [2064996-1](#) [20800001065](#) [2170](#) [9132](#) [2612](#) [2620](#) [9291](#) [9440F16-10S](#) [9440F20-18S](#)
[9446F16-10S-190](#) [953-106-50231](#) [953-120-5003](#) [955-120-5110](#) [1757711-1](#)