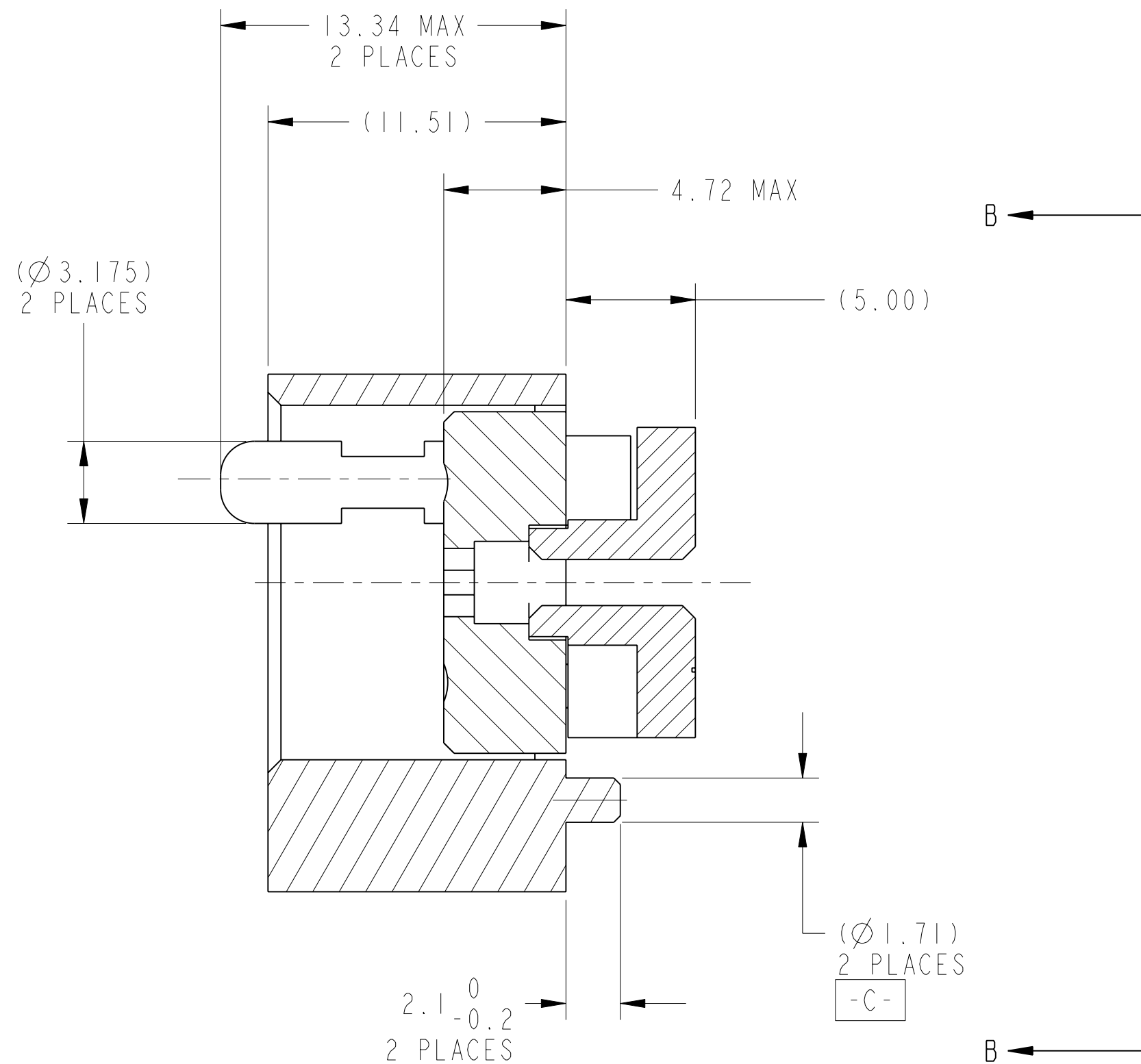
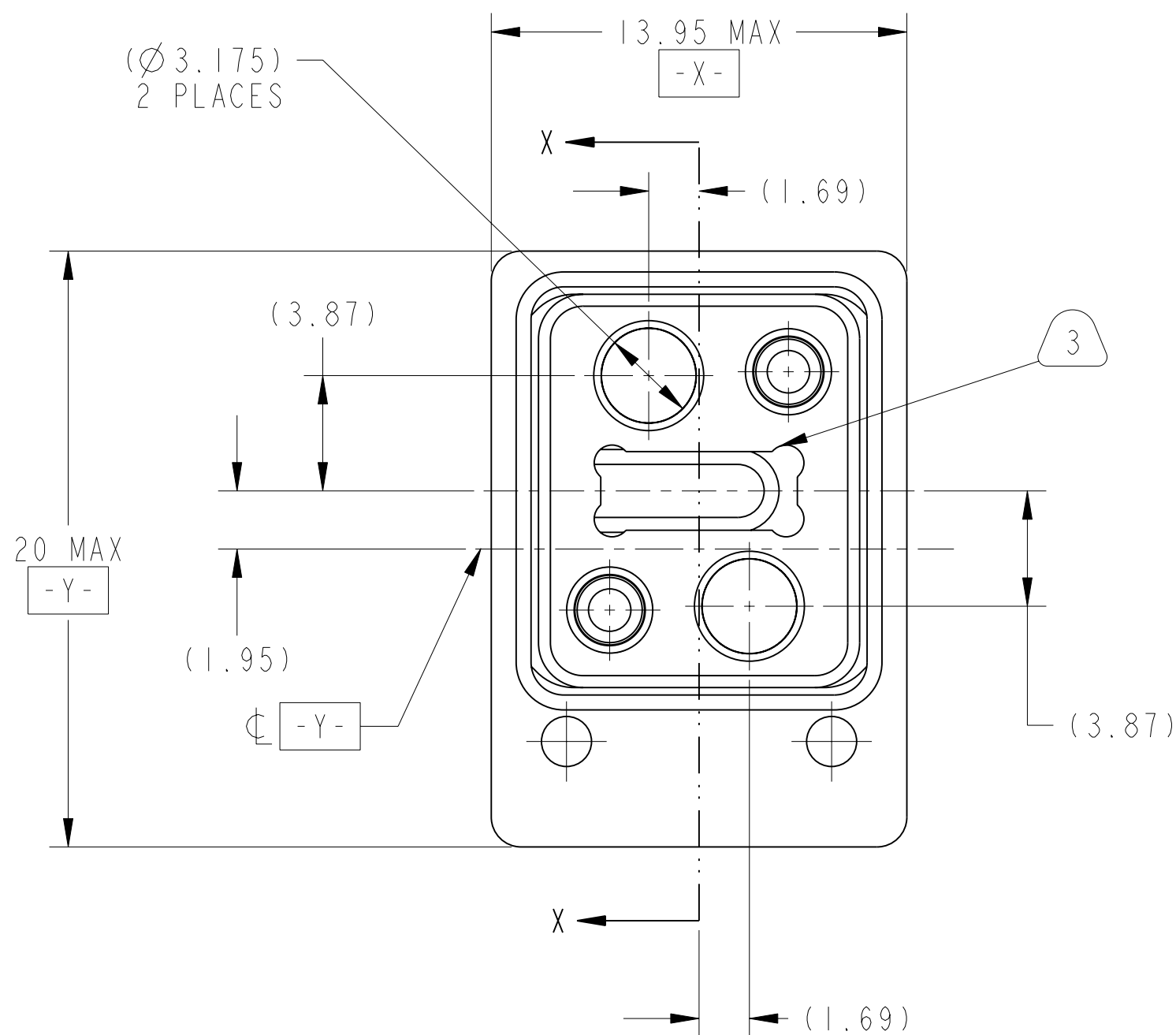
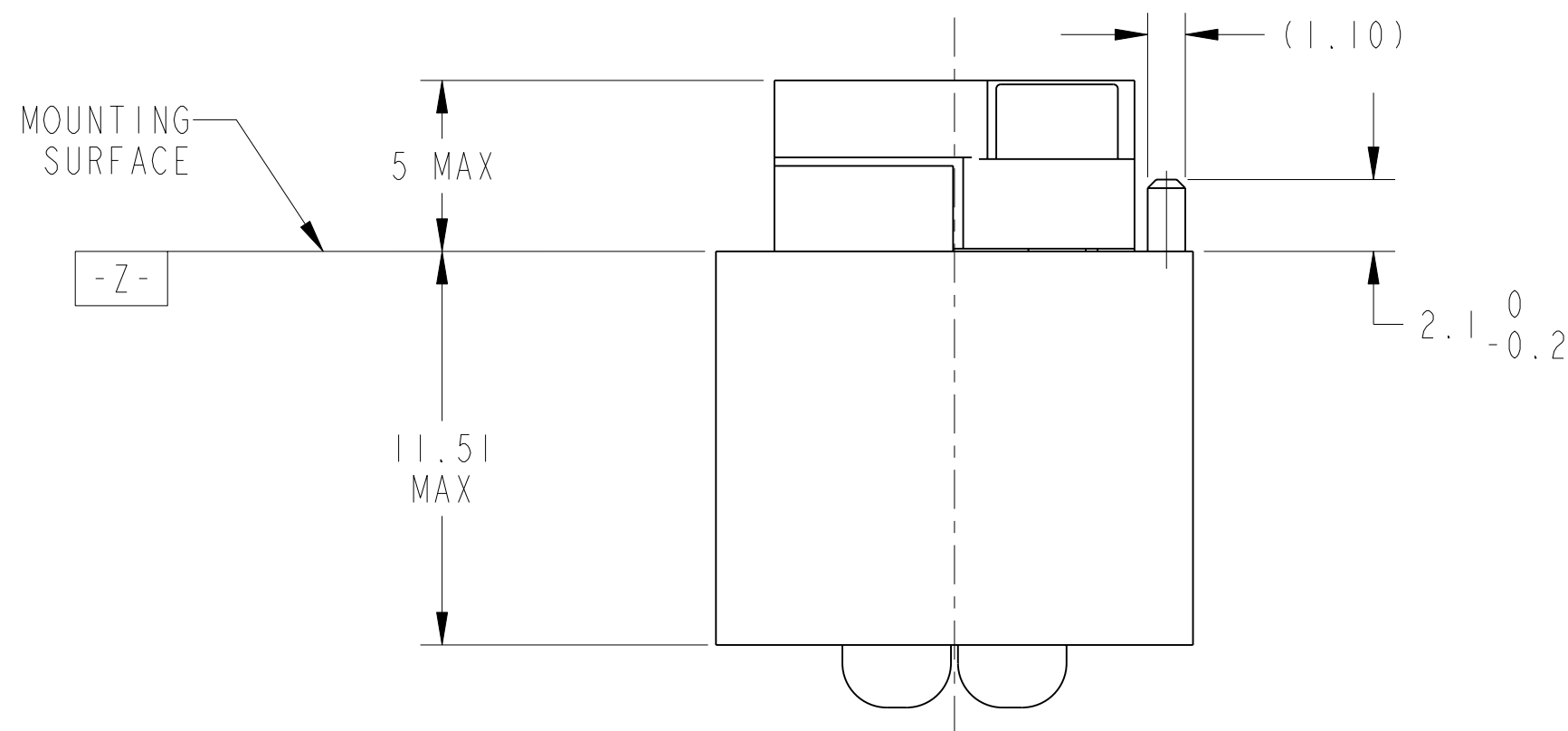


REV. PA1	SHEET 1 OF 3	DOCUMENT NO. 10-504639-006
REVISIONS		
LTR	DESCRIPTION	DATE
PA1	INITIAL RELEASE	10/19/15



SECTION X-X

SEE SHEET 2

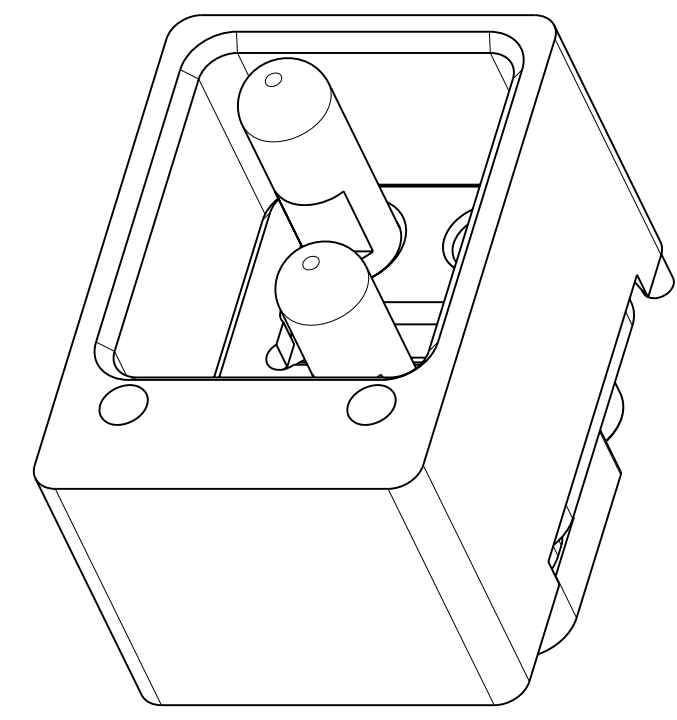
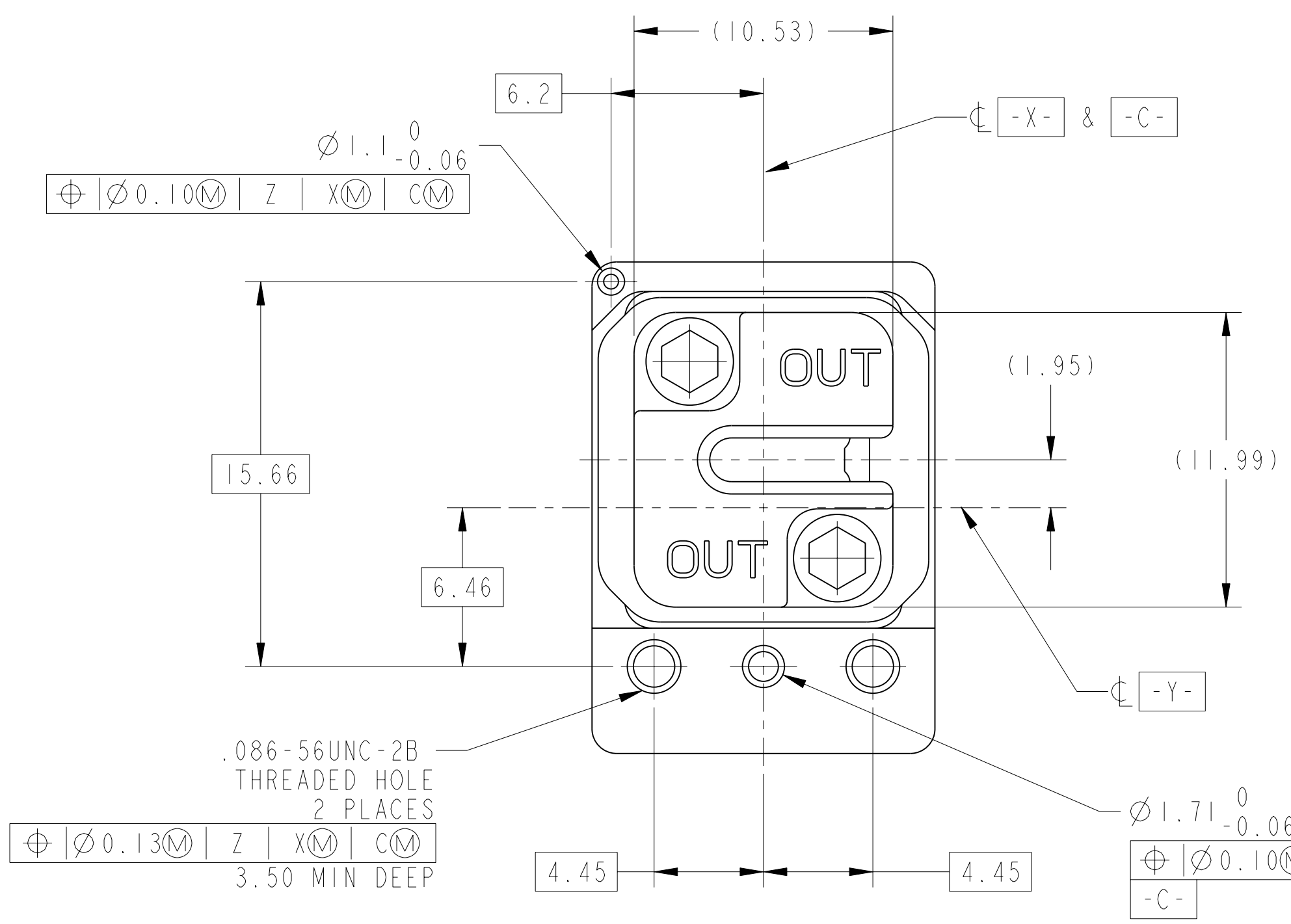
NOTES:

THE USE OF THIS DOCUMENT IS UNLIMITED. HOWEVER, DOCUMENTS REFERENCED HEREON MAY CONTAIN LIMITED RIGHTS DATA.

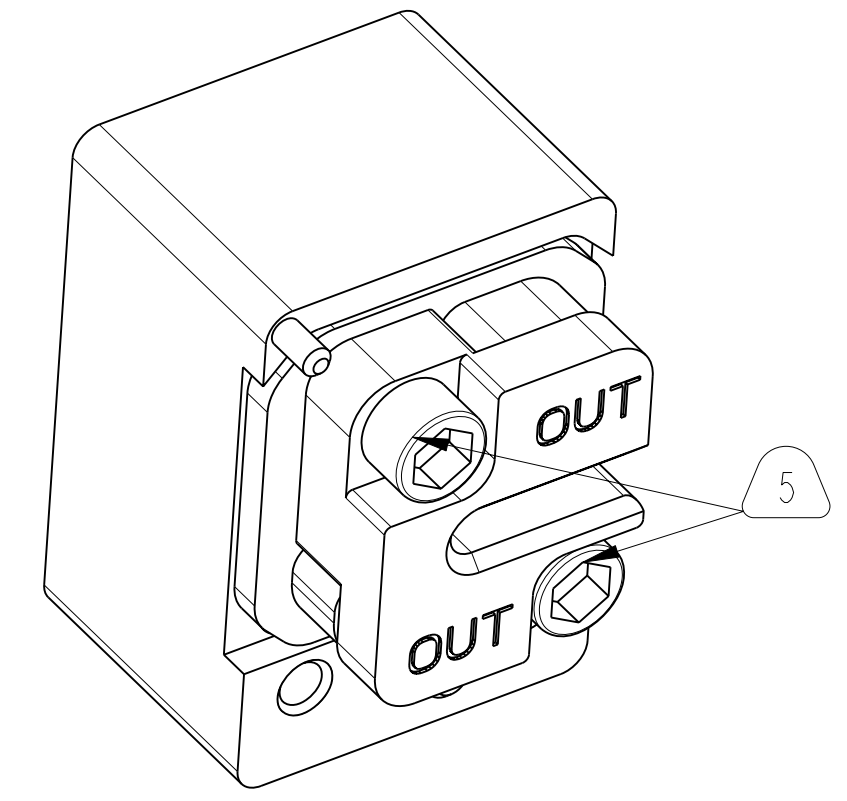
SCALE 5.000

N/A	PRO/ENGINEER INFORMATION
N/A	Pro/e Model Used: 10-504639-006.DWG.ASSEM
NEXT ASSEMBLY	Drawing Name: 10-504639-006

UNLESS OTHERWISE SPECIFIED		SPECIFICATIONS		POS	QTY	PART NUMBER	DESCRIPTION	NOTE
LINEAR DIMENSIONS ARE IN INCHES TOLERANCES: .XXXX = ±.0005 ANGLES= ±2° .XXX = ±.010 .XX = ±.03 .X = ±.1		MATERIAL SPEC. NA		APPROVALS		DATE	AMPHENOL CORPORATION <small>40-60 DELAWARE AVENUE SIDNEY, N.Y. 13838</small> CONNECTOR, FIBER OPTIC, BACKPLANE, 1 MT (VITA 66.4)	U
DIM. & TOL. PER ASME Y14.5M; DRM PER MIL-DTL-31000; OTHER Amphenol Sids. PER 9-3800		PROCESS SPEC. 9-3895 9-3856-5		PREPARED BY R. CHAPMAN	ENGINEER IN CHARGE J. PAUL	19-0c1-15		
LEGENDS: = FLAG NOTE CALL OUT REFERENCE ONLY		THIRD ANGLE PROJECTION		DESIGN MANAGER R. SELFRIDGE	DESIGN ACTIVITY GROUP BLP			
				CAGE CODE 77820		DOCUMENT NO. 10-504639-006	REV. PA1	
				SCALE: 3.0 REF:		NA	SHEET 1 OF 3	



SCALE 4.000



SCALE 4.000

VIEW AT B

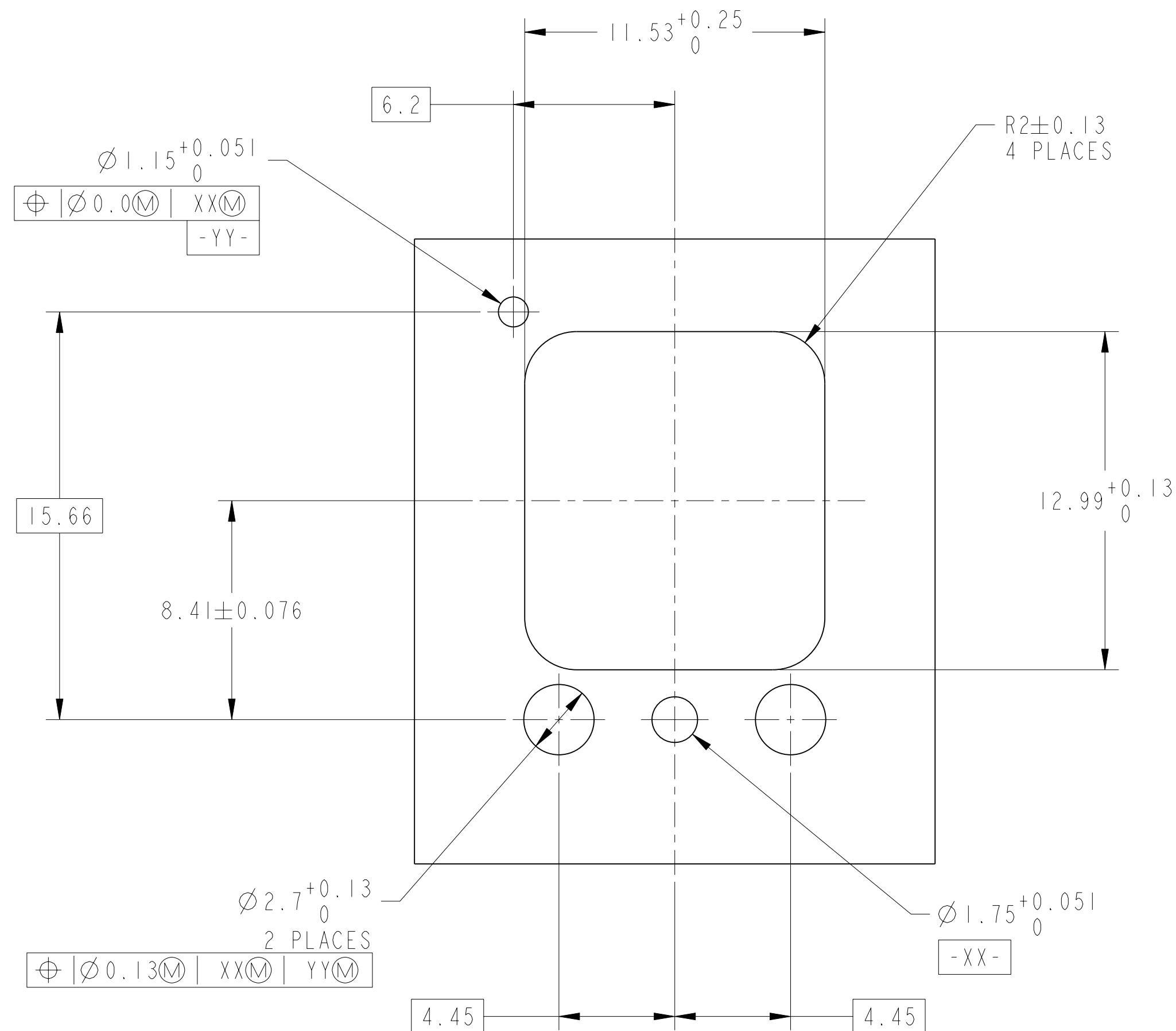
7. FOR CONNECTOR INSTALLATION ILLUSTRATION SEE SHEET 3.
6. FOR MATING MODULE CONNECTOR ASSEMBLY, SEE DRAWING 10-504637-008.
5. TIGHTEN CAPTIVE SCREWS TO 10-14 IN-OZ AFTER INSTALLING MT FERRULE (NOT INCLUDED).
4. FIBER OPTIC INSERT IS DESIGNED FOR MT TYPE FERRULES TERMINATED TO NON-STRENGTH MEMBERED RIBBON CABLE.
3. INDICATED CAVITY WILL ACCOMODATE A STANDARD 12 CHANNEL MT FERRULE PER IEC 1754-5-4.
2. BLACK INK STAMP "AMPHENOL" PART NUMBER AND DATE CODE ON INDICATED SURFACE PER 9-3856-5. DATE CODE PER 9-3895. CHARACTERS TO BE .062±.020 HIGH. ADDITIONAL INFORMATION MAY BE REQUESTED BY PURCHASE ORDER.
1. PARTS ARE SHIPPED UNASSEMBLED.

THE USE OF THIS DOCUMENT IS UNLIMITED. HOWEVER, DOCUMENTS REFERENCED HEREON MAY CONTAIN LIMITED RIGHTS DATA.

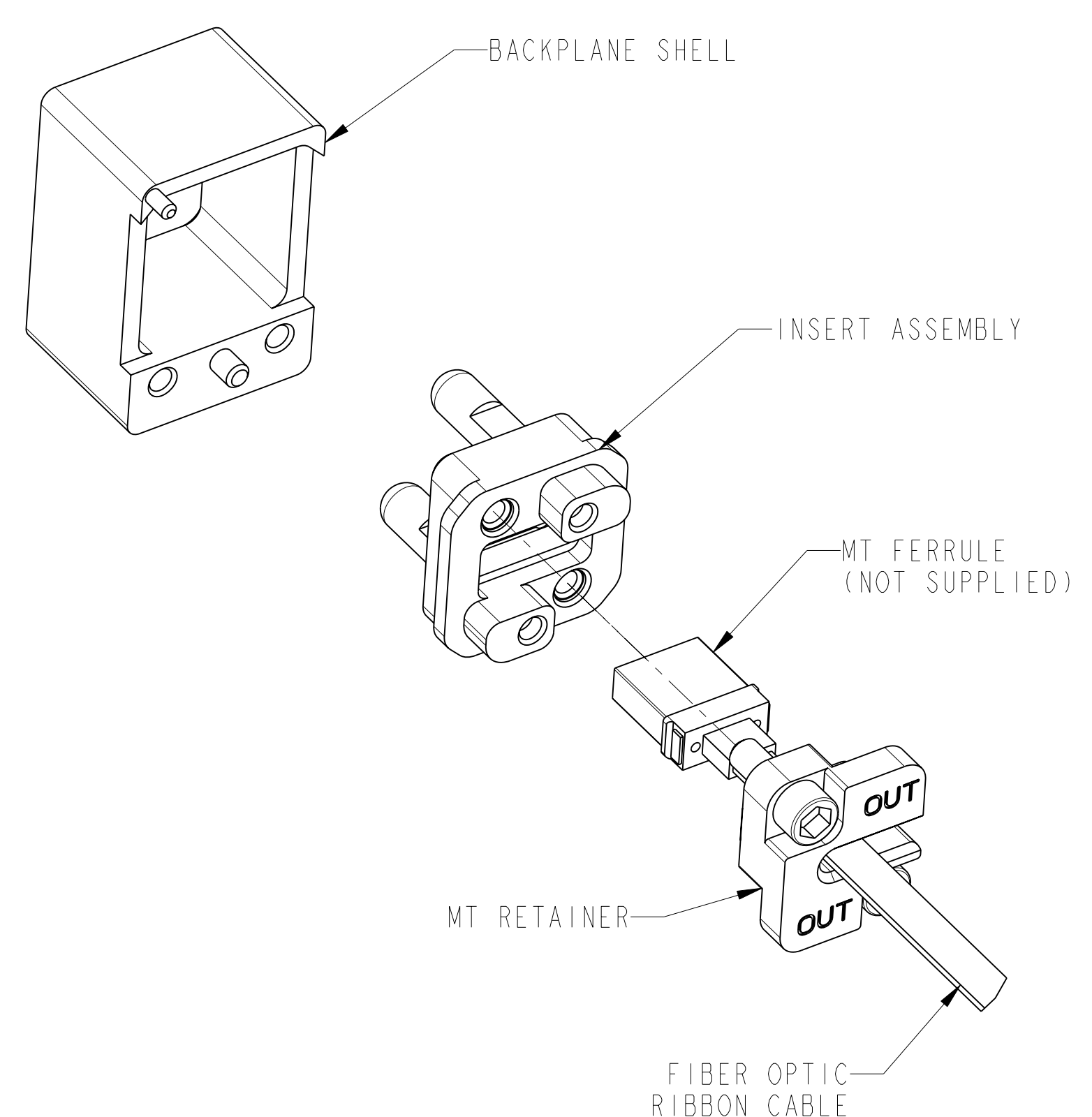
MATERIALS AND FINISHES

COMPONENT	MATERIAL/ FINISH
BACKPLANE SHELL	BODY - MATERIAL - ALUM. ALLOY PER AMS 4150 FINISH - CHROMATE TREATMENT PER MIL-C-5541, CL 3 HELICAL INSERTS - STAINLESS STEEL 304 SERIES PASSIVATED
INSERT ASSEMBLY	FRONT INSERT/RETAINER - MATERIAL - ALUM ALLOY PER AMS 4150 FINISH - CHROMATE TREATMENT PER MIL-C-5541, CL3 SCREW - STAINLESS STEEL 300 SERIES, PASSIVATED HELICAL INSERTS - STAINLESS STEEL 304 SERIES, PASSIVATED GUIDE PIN - STAINLESS STEEL PER AMS 5640. PASSIVATED

SIZE C	CAGE CODE 77820	DOCUMENT NO. 10-504639-006	REV. PA1
SCALE: 3.0	REF: NA	SHEET 2 OF 3	



SUGGESTED BACKPLANE BOARD CUTOUTS
 (CONNECTOR SIDE SHOWN)
 SCALE 6.000



REAR EXPLODED ASSEMBLY VIEW
 SCALE 3.000

THE USE OF THIS DOCUMENT IS UNLIMITED. HOWEVER, DOCUMENTS REFERENCED HEREON MAY CONTAIN LIMITED RIGHTS DATA.

SIZE C	CAGE CODE 77820	DOCUMENT NO. 10-504639-006	REV. PA1
SCALE: 3.0	REF: NA	SHEET 3 OF 3	

X-ON Electronics

Largest Supplier of Electrical and Electronic Components

Click to view similar products for [Fibre Optic Connectors](#) category:

Click to view products by [Amphenol](#) manufacturer:

Other Similar products are found below :

[0004700001](#) [6100-R](#) [6313](#) [F709722200](#) [F709730000](#) [F718183204](#) [F727403500](#) [F727752800](#) [8119](#) [9440F20-27S-190](#) [944-120-6001](#)
[9441F10SL-3S](#) [9444W28-21S](#) [9444W36-10S](#) [9446W20-16S](#) [953-101-5310-P](#) [954-101-57202B](#) [A0270169](#) [12-9122](#) [12-5702](#) [AX101713](#)
[AX102420](#) [AX103923](#) [AX104024](#) [AX104193](#) [AX104230](#) [AX104562](#) [AX105203-B25](#) [AX105205-S1](#) [EHSC2M](#) [17-300800](#) [181-011-126](#)
[181-011-S](#) [181-057-126](#) [NKSOPBUY](#) [20500002116](#) [2064996-1](#) [20800001065](#) [2170](#) [9132](#) [2612](#) [2620](#) [9291](#) [9440F16-10S](#) [9440F20-18S](#)
[9444W32-73S](#) [9446F16-10S-190](#) [953-106-50231](#) [953-120-5003](#) [955-120-5110](#)