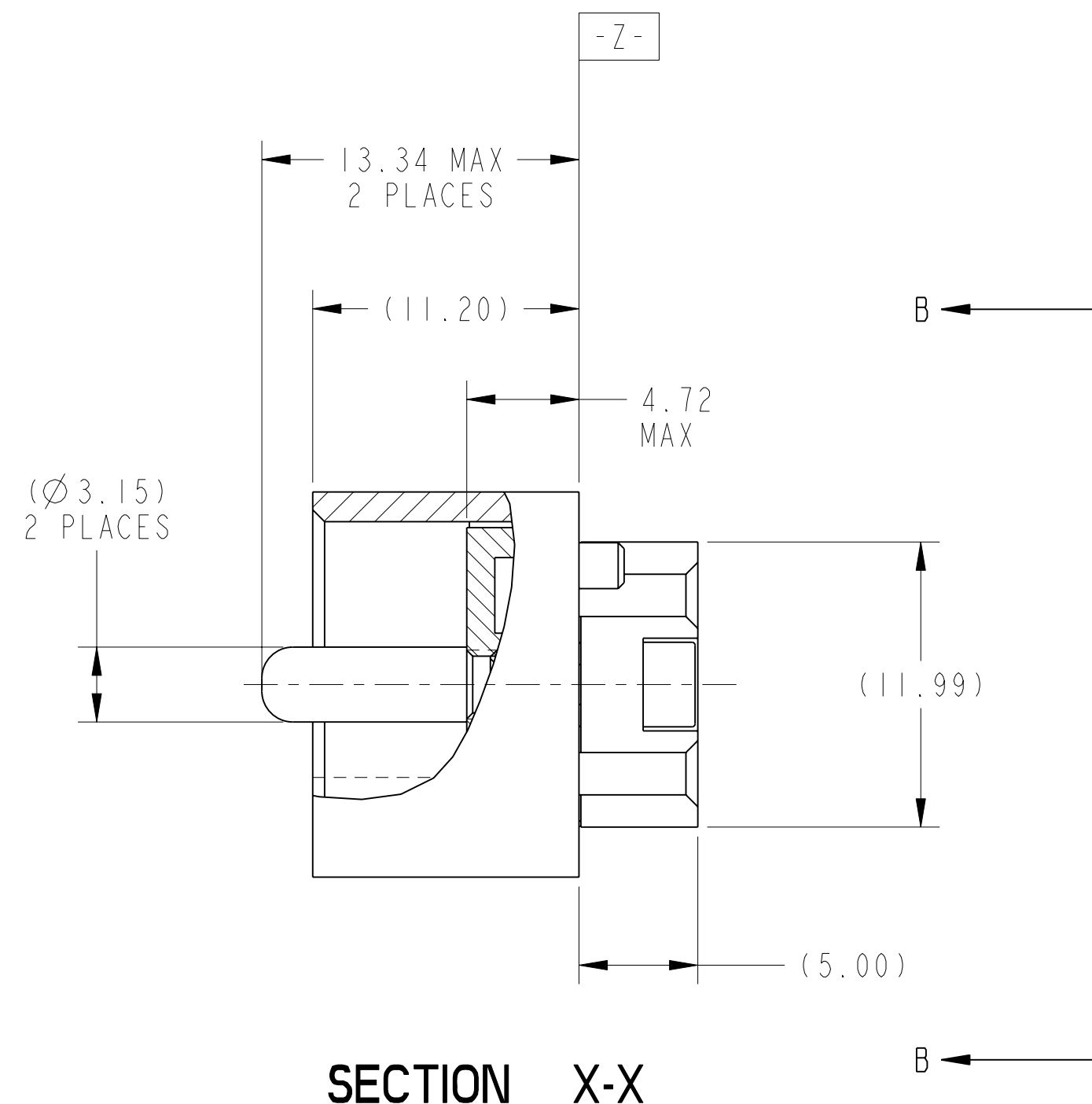
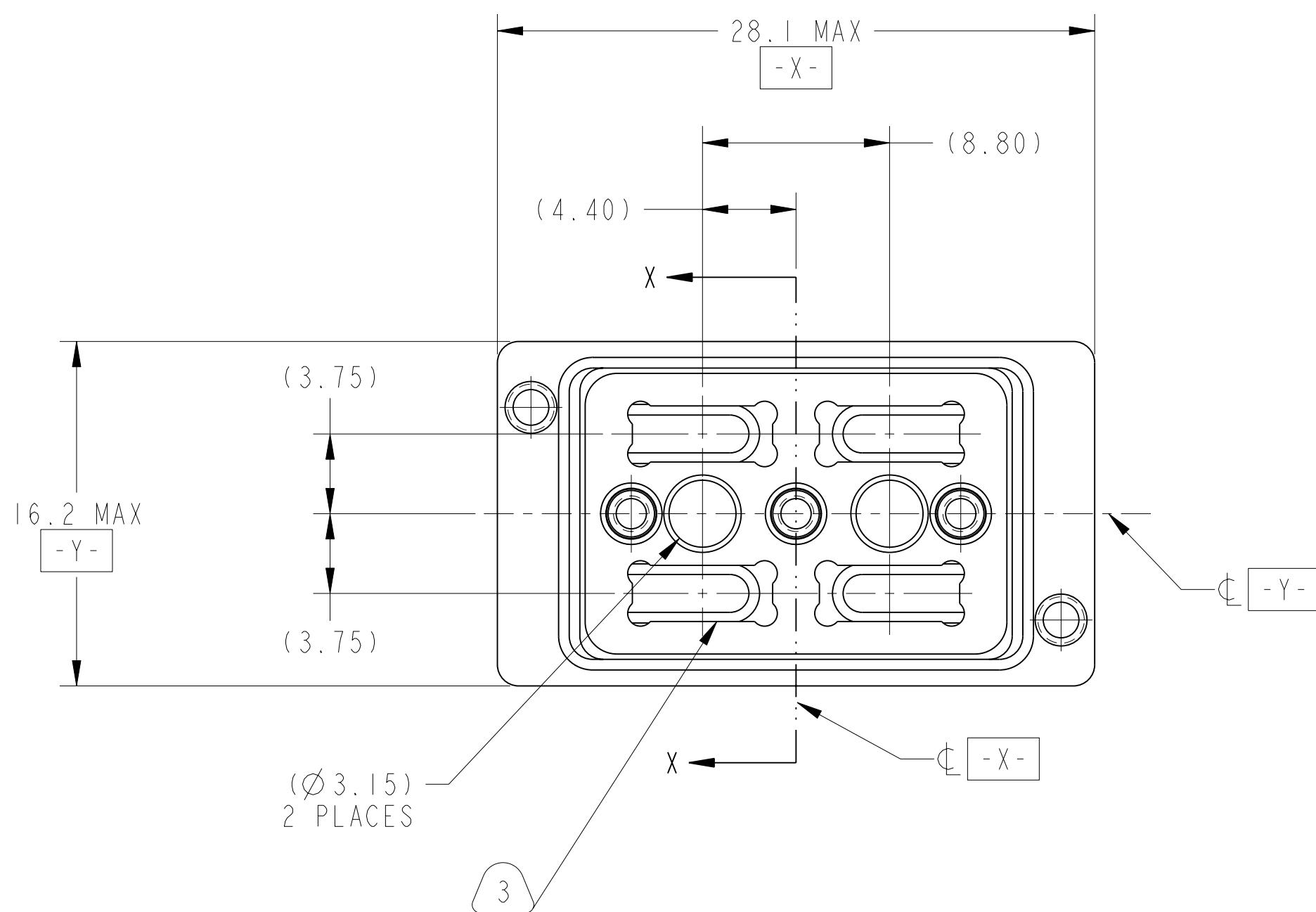
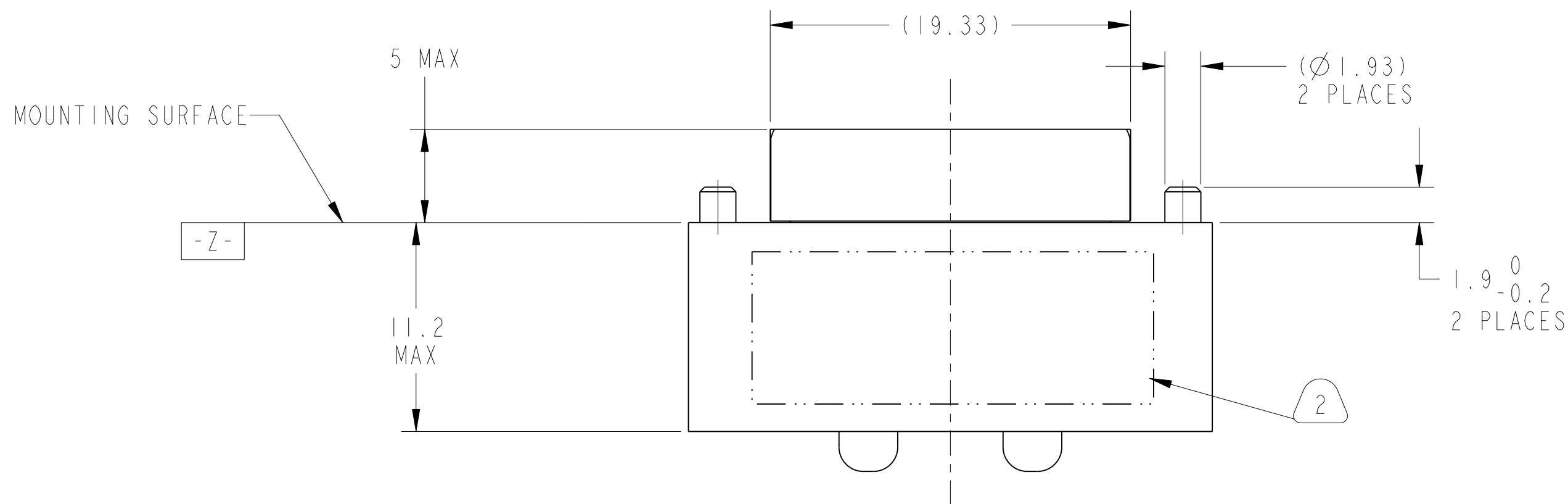


REV. PA1	SHEET 1 OF 3	DOCUMENT NO. 10-504639-008
M REVISIONS		
LTR	DESCRIPTION	DATE
PA1	INITIAL RELEASE	9/27/17



METRIC DRAWING

SEE SHEET 2

NOTES:

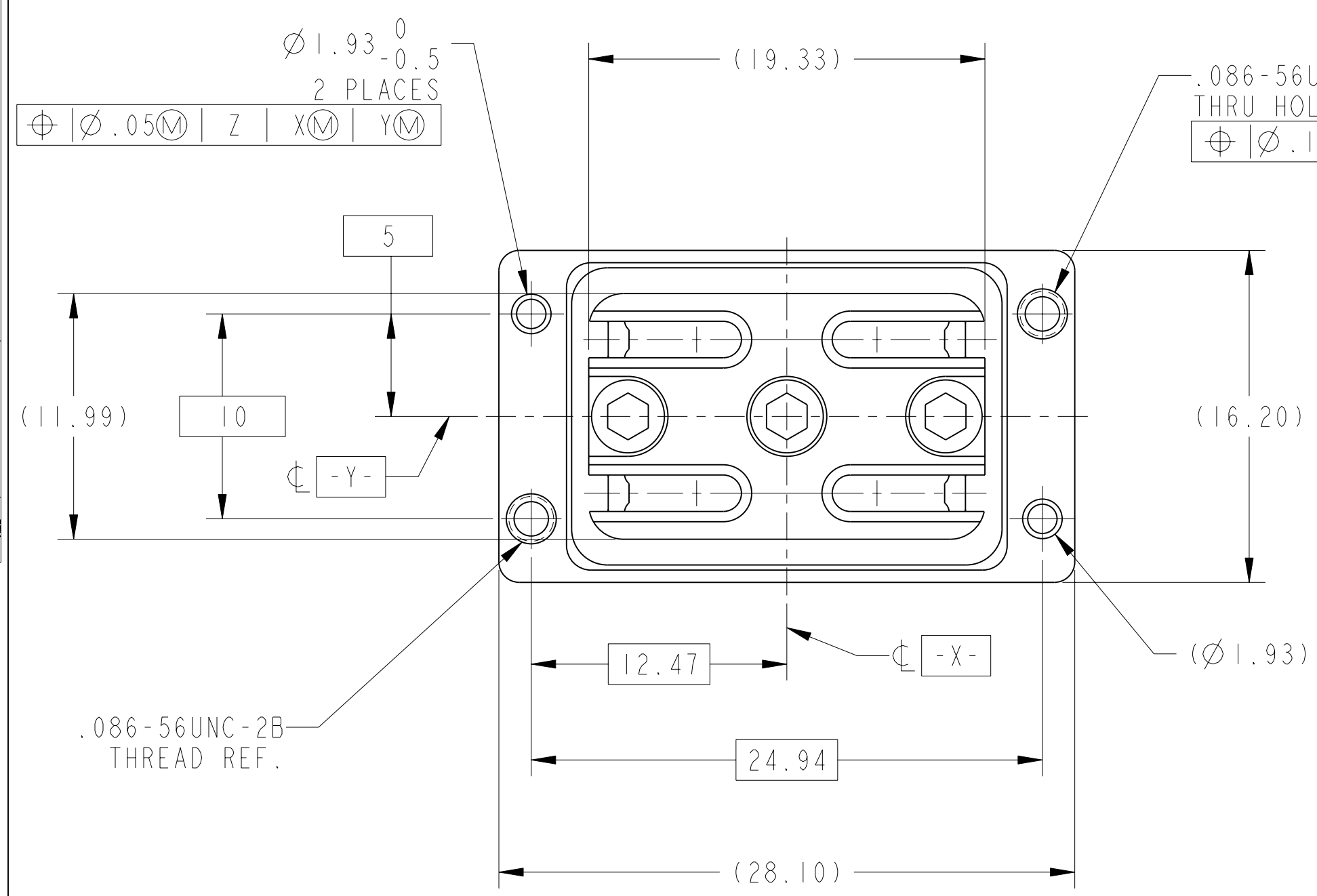
THE USE OF THIS DOCUMENT IS UNLIMITED. HOWEVER, DOCUMENTS REFERENCED HEREON MAY CONTAIN LIMITED RIGHTS DATA.

SCALE 4.000

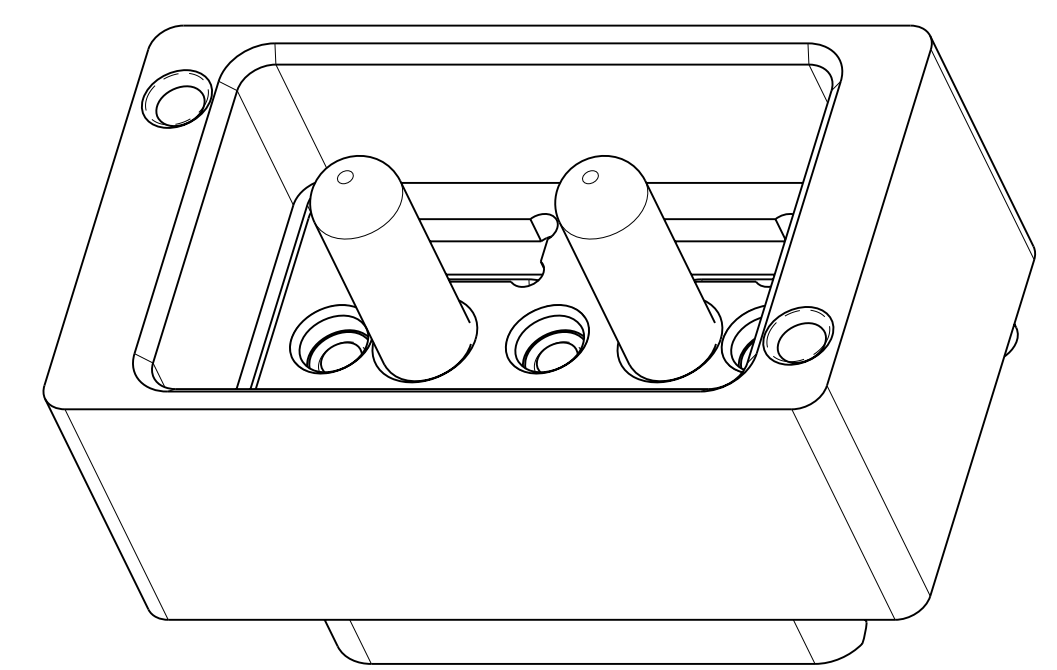
N/A	PRO/ENGINEER INFORMATION
N/A	Pro/e Model Used: 10-504639-008.DWG.ASSEM
NEXT ASSEMBLY	Drawing Name: 10-504639-008

UNLESS OTHERWISE SPECIFIED		SPECIFICATIONS		POS	QTY	PART NUMBER	DESCRIPTION	NOTE	
LINEAR DIMENSIONS ARE IN MILLIMETERS		MATERIAL SPEC.		APPROVALS		PARTS LIST			
TOLERANCES:		NONE		PREPARED BY	DATE	AMPHENOL CORPORATION			
.XXXX = ±NA				ENGINEER IN CHARGE	27-Sep-17	40-60 DELAWARE AVENUE SIDNEY, N.Y. 13839			
.XXX = ±NA				DESIGN MANAGER		CONNECTOR, FIBER OPTIC, BACKPLANE, 4 MT SPECIAL			
.XX = ±.13				DESIGN ACTIVITY GROUP	BLP	(VITA 66.1 ENVELOPE)			
.X = ±.25		PROCESS SPEC.		THIRD ANGLE PROJECTION		SIZE	CAGE CODE	DOCUMENT NO.	REV.
DIM. & TOL. PER ASME Y14.5M;		9-3856-5				C	77820	10-504639-008	PA1
DRM PER MIL-DTL-31000;		9-3895				SCALE: 3.0	REF: 10-504639-002	SHEET 1 OF 3	
OTHER Amphenol Sids. PER 9-3800									
LEGENDS:									
= FLAG NOTE CALL OUT									
REFERENCE ONLY									

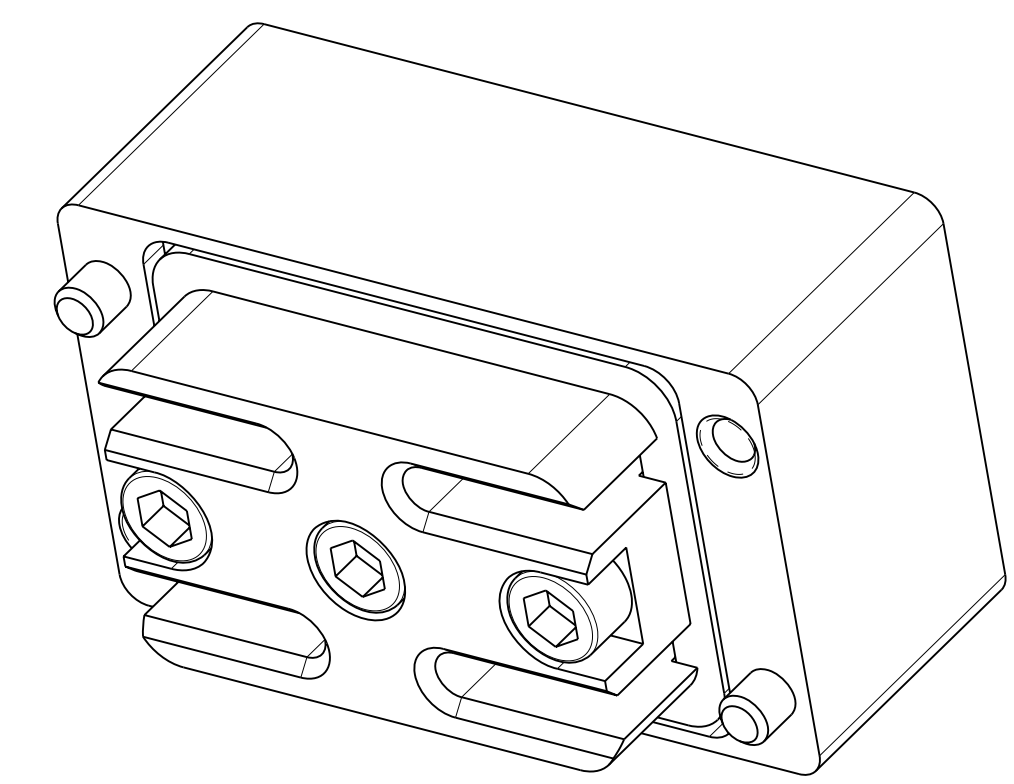
10-504639-008
SHEET 2 OF 3
REV. PA1



VIEW AT B



TOP ISO VIEW
SCALE 4.000



BOTTOM ISO
SCALE 4.000

7. FOR CONNECTOR INSTALLATION ILLUSTRATION SEE SHEET 3.
6. FOR MATING MODULE CONNECTOR ASSEMBLY, SEE DRAWING 10-504637-010.
5. TIGHTEN CAPTIVE SCREWS TO 10-14 IN-OZ AFTER INSTALLING MT FERRULE (NOT INCLUDED).
4. FIBER OPTIC INSERT IS DESIGNED FOR MT TYPE FERRULES TERMINATED TO NON-STRENGTH MEMBERED RIBBON CABLE.
3. INDICATED CAVITIES WILL ACCOMODATE A STANDARD 12 CHANNEL MT FERRULE PER IEC 61754-5 (SEE NOTE 4).
2. BLACK INK STAMP "AMPHENOL" PART NUMBER AND DATE CODE ON INDICATED SURFACE PER 9-3856-5. DATE CODE PER 9-3895. CHARACTERS TO BE 1.6±.51 (.062±.020) HIGH. ADDITIONAL INFORMATION MAY BE REQUESTED BY PURCHASE ORDER.
1. PARTS ARE SHIPPED UNASSEMBLED.

THE USE OF THIS DOCUMENT IS UNLIMITED. HOWEVER, DOCUMENTS REFERENCED HEREON MAY CONTAIN LIMITED RIGHTS DATA.

MATERIALS AND FINISHES

COMPONENT	MATERIAL/ FINISH
BACKPLANE SHELL	BODY - MATERIAL - ALUM. ALLOY PER AMS 4150 FINISH - CHROMATE TREATMENT PER MIL-C-5541, CL 3 HELICAL INSERTS - STAINLESS STEEL 304 SERIES PASSIVATED
INSERT ASSEMBLY	FRONT INSERT/RETAINER - MATERIAL - ALUM ALLOY PER AMS 4150 FINISH - CHROMATE TREATMENT PER MIL-C-5541, CL3 SCREW - STAINLESS STEEL 300 SERIES, PASSIVATED HELICAL INSERTS - STAINLESS STEEL 304 SERIES, PASSIVATED GUIDE PIN - STAINLESS STEEL PER AMS 5640. PASSIVATED

SIZE C	CAGE CODE 77820	DOCUMENT NO. 10-504639-008	REV. PA1
SCALE: 3.0	REF. 10-504639-002	SHEET 2 OF 3	

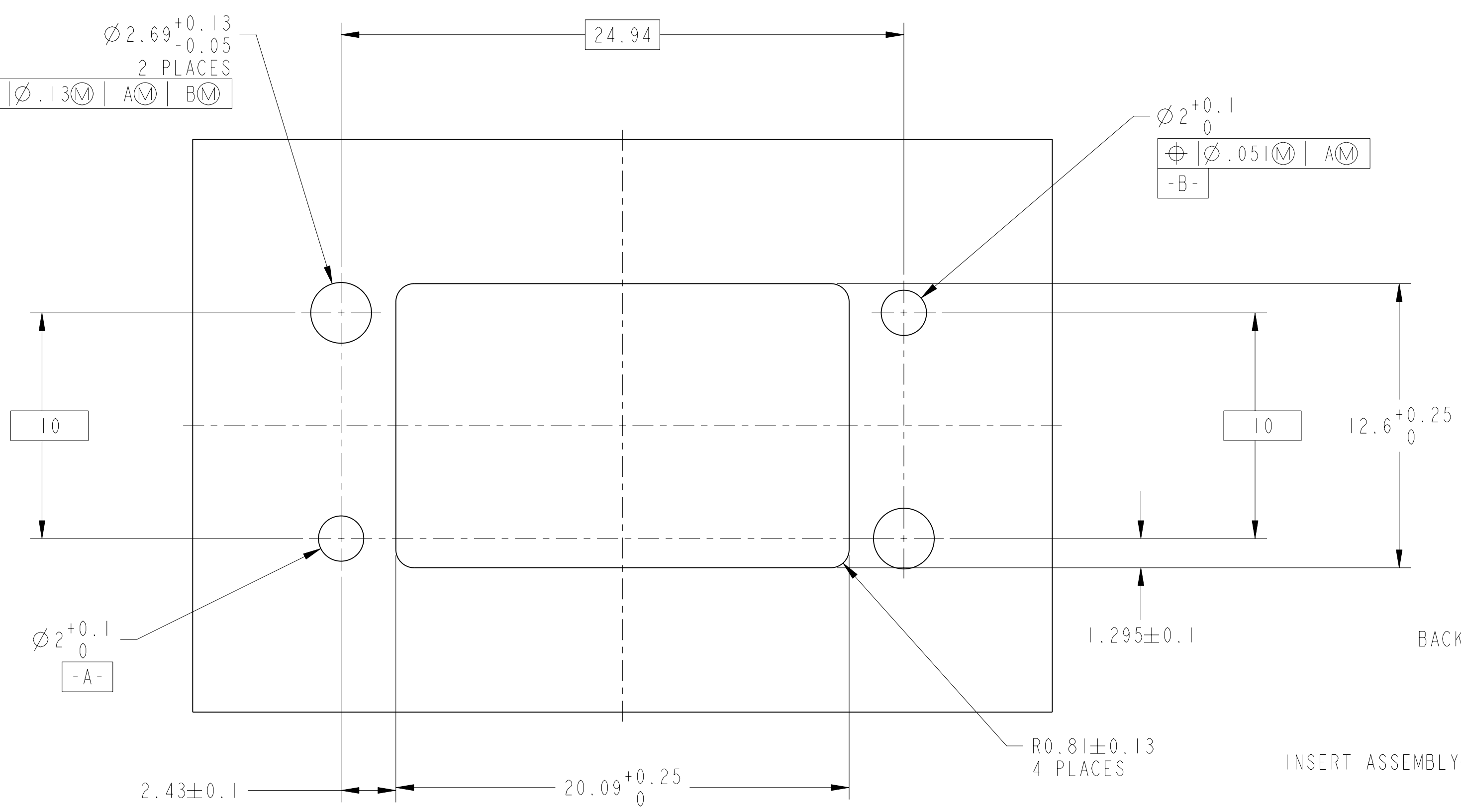
10-504639-008
SHEET 2 OF 3
REV. PA1

4

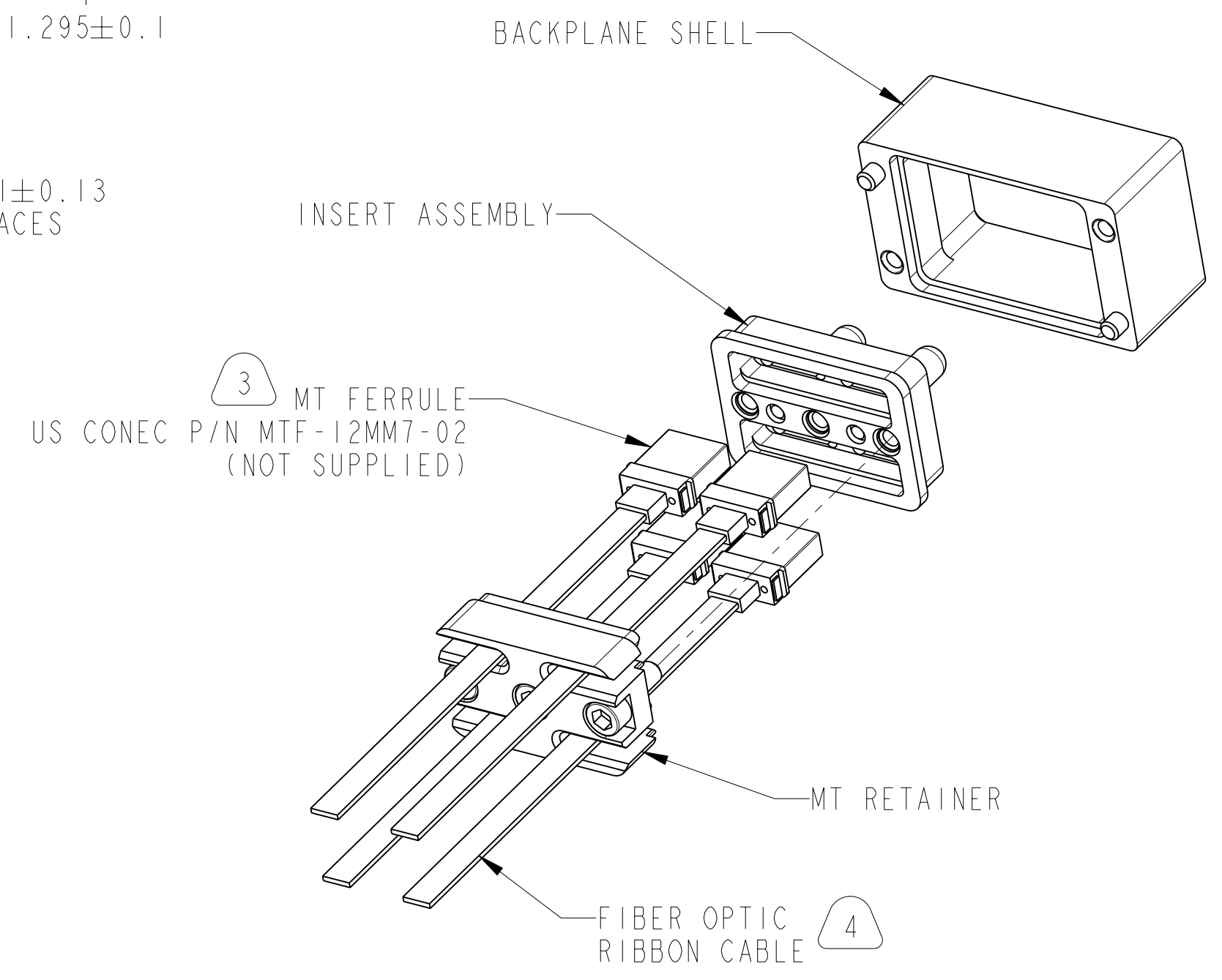
3

2

10-504639-008 DOCUMENT NO. SHEET 3 OF 3 REV. PA1



SUGGESTED BACKPLANE BOARD CUTOUT
(CONNECTOR SIDE SHOWN)
SCALE 6.000



REAR EXPLODED ASSEMBLY VIEW
SCALE 2.000

THE USE OF THIS DOCUMENT IS UNLIMITED. HOWEVER, DOCUMENTS REFERENCED HEREON MAY CONTAIN LIMITED RIGHTS DATA.

SIZE C	CAGE CODE 77820	DOCUMENT NO. 10-504639-008	REV. PA1
SCALE: 3.0	REF. 10-504639-002	SHEET 3 OF 3	

3

2

1

10-504639-008 DOCUMENT NO. SHEET 3 OF 3 REV. PA1

X-ON Electronics

Largest Supplier of Electrical and Electronic Components

Click to view similar products for [Fibre Optic Connectors](#) category:

Click to view products by [Amphenol](#) manufacturer:

Other Similar products are found below :

[0004700001](#) [6100-R](#) [6313](#) [F709722200](#) [F709730000](#) [F718183204](#) [F727403500](#) [F727752800](#) [8119](#) [9440F20-27S-190](#) [944-120-6001](#)
[9441F10SL-3S](#) [9444W28-21S](#) [9444W36-10S](#) [9446W20-16S](#) [953-101-5310-P](#) [954-101-57202B](#) [A0270169](#) [12-9122](#) [12-5702](#) [AX101713](#)
[AX102420](#) [AX103923](#) [AX104024](#) [AX104193](#) [AX104230](#) [AX104562](#) [AX105203-B25](#) [AX105205-S1](#) [EHSC2M](#) [17-300800](#) [181-011-126](#)
[181-011-S](#) [181-057-126](#) [NKSOPBUY](#) [20500002116](#) [2064996-1](#) [20800001065](#) [2170](#) [9132](#) [2612](#) [2620](#) [9291](#) [9440F16-10S](#) [9440F20-18S](#)
[9444W32-73S](#) [9446F16-10S-190](#) [953-106-50231](#) [953-120-5003](#) [955-120-5110](#)