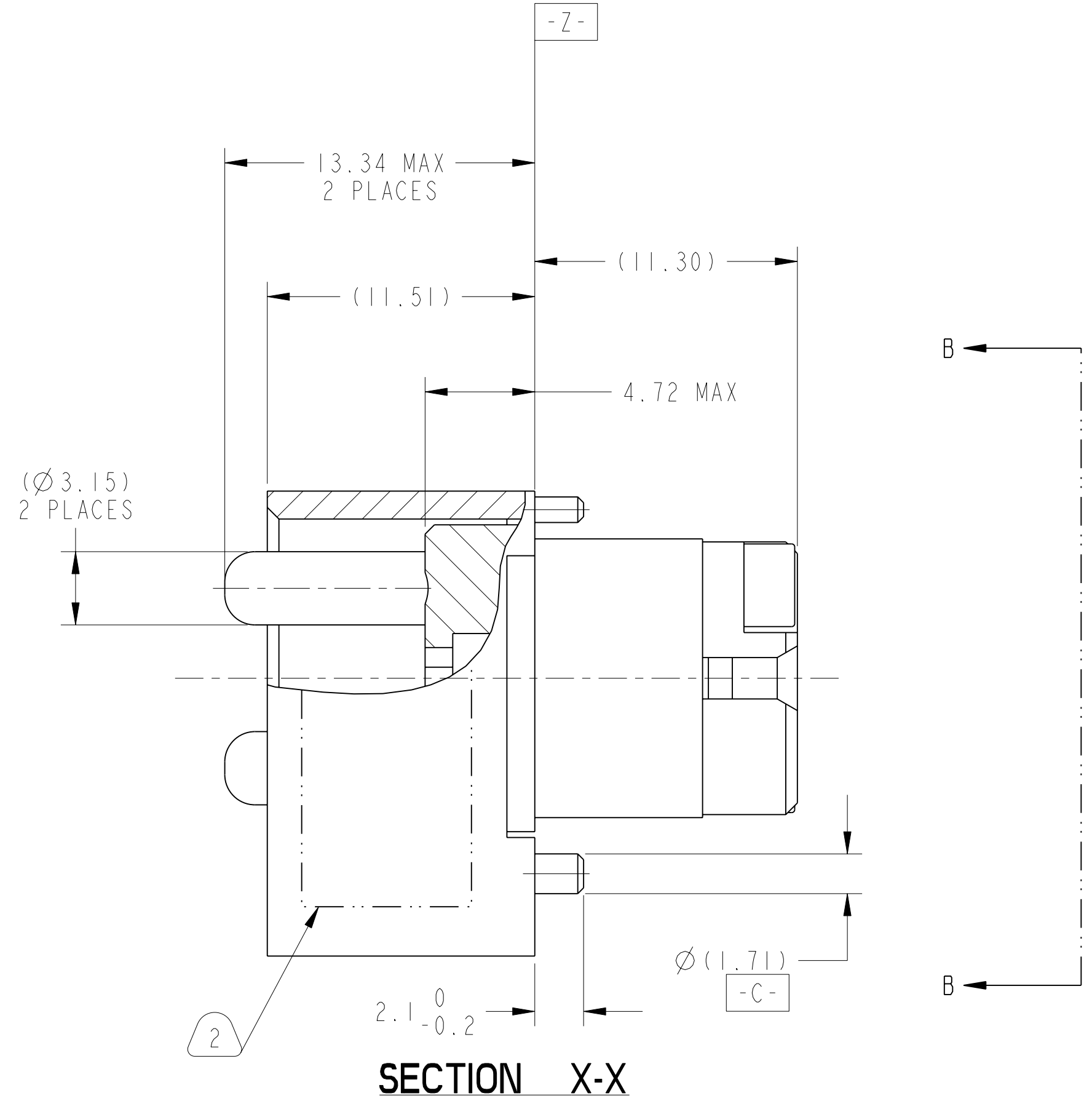
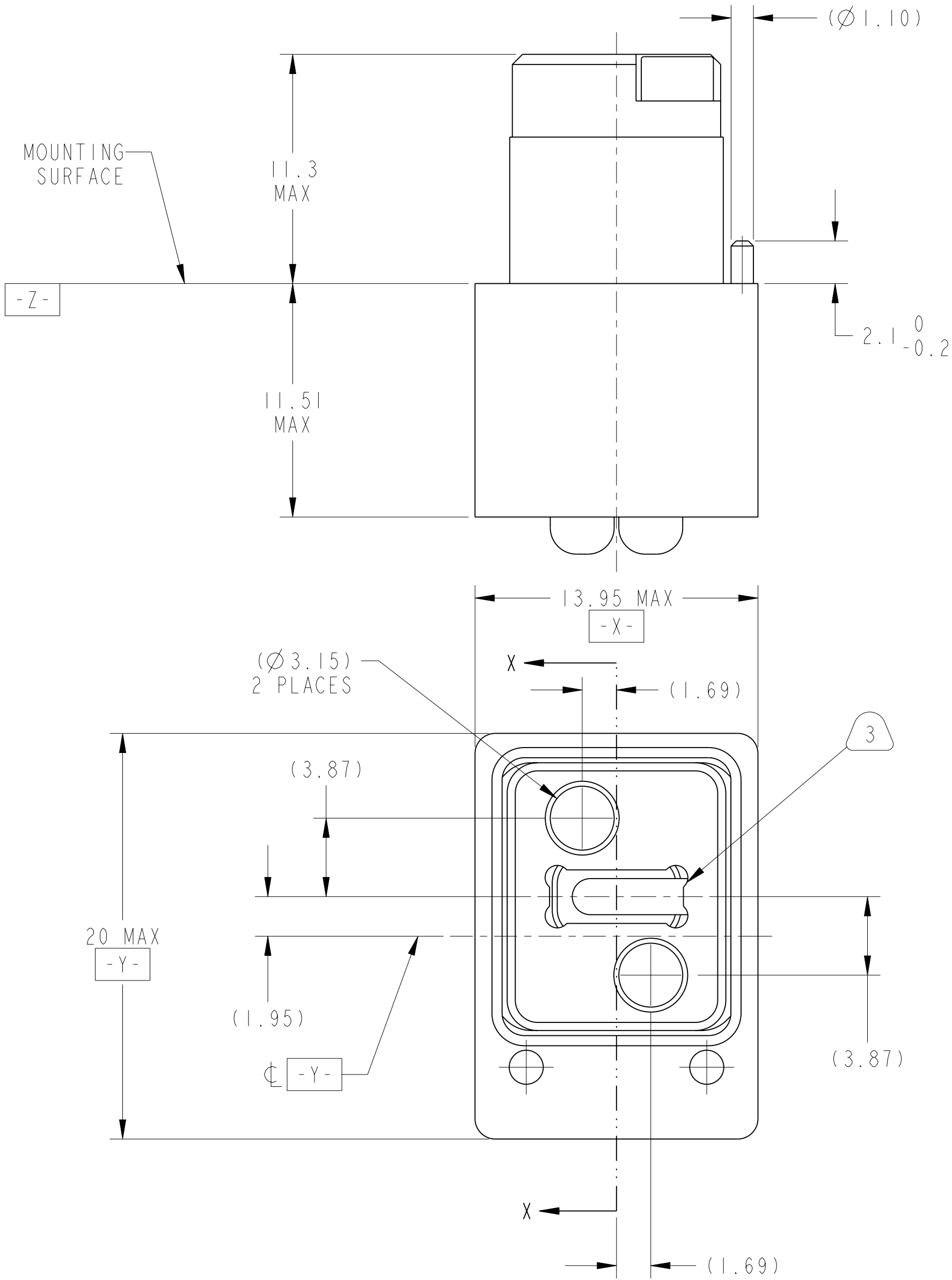


REV. PA1	SHEET 1 OF 3	DOCUMENT NO. 10-504639-010
REVISIONS		
LTR	DESCRIPTION	DATE
PA1	INITIAL RELEASE	4/3/18



SECTION X-X

METRIC DRAWING

SEE SHEET 3

NOTES:
 THE USE OF THIS DOCUMENT IS UNLIMITED. HOWEVER, DOCUMENTS REFERENCED HEREON MAY CONTAIN LIMITED RIGHTS DATA.

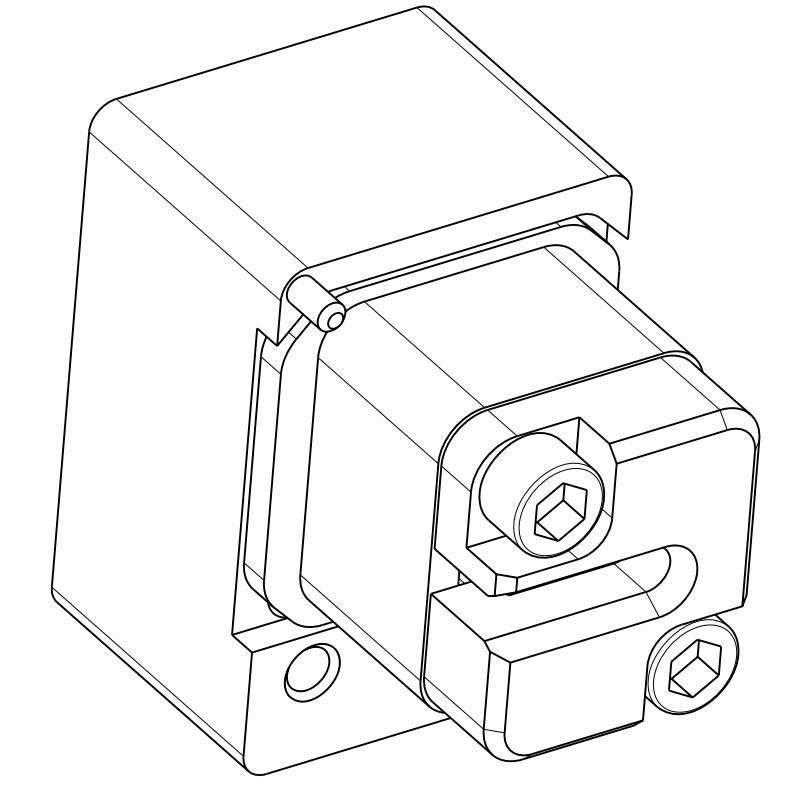
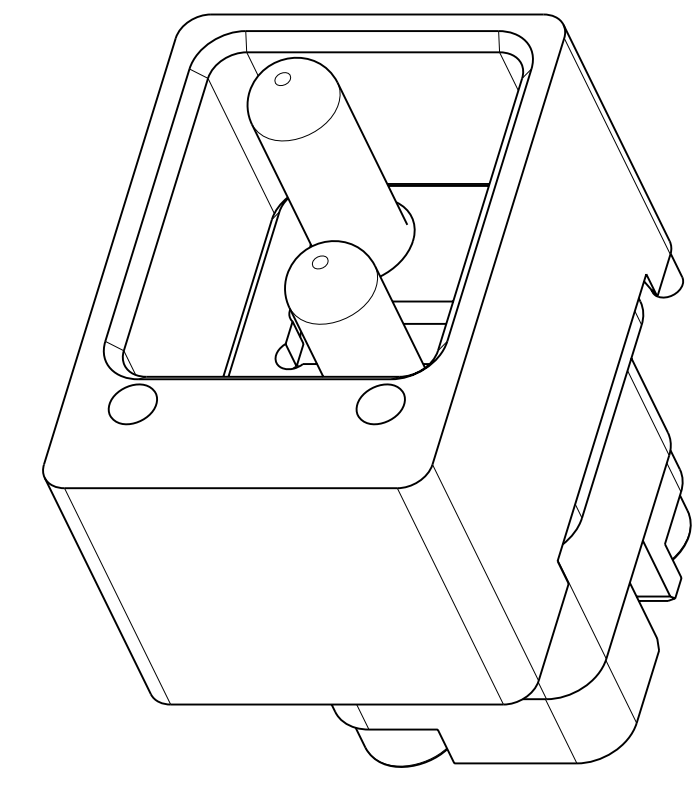
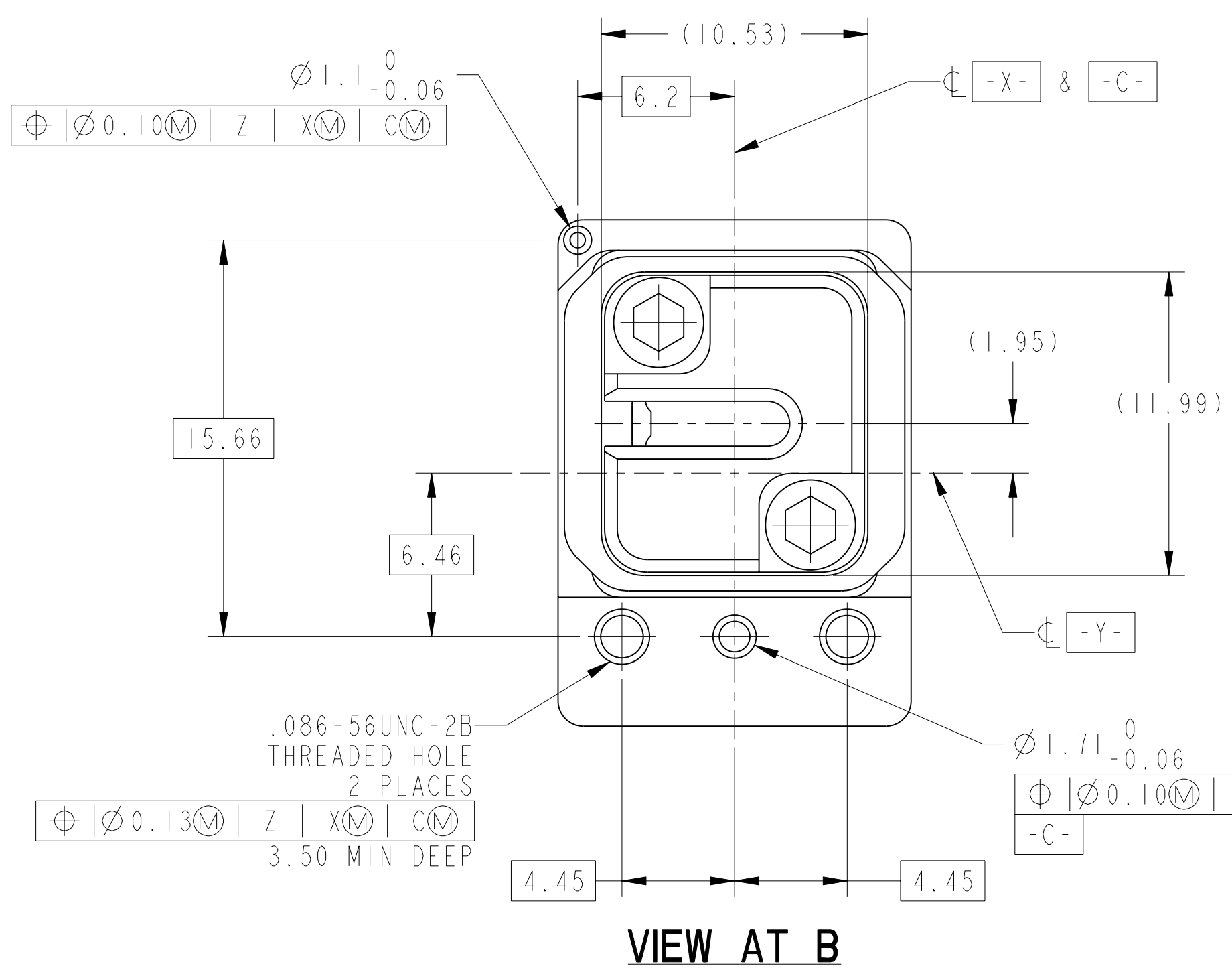
SCALE 5.000

UNLESS OTHERWISE SPECIFIED	SPECIFICATIONS	POS	QTY	PART NUMBER	DESCRIPTION	NOTE
LINEAR DIMENSIONS ARE IN MILLIMETERS TOLERANCES: .XXXX = NA ANGLES = ±2° .XXX = ±NA .XX = ±.13 .X = ±.25 DIM. & TOL. PER ASME Y14.5M; DRM PER MIL-DTL-31000; OTHER Amphenol Sds. PER 9-3800 LEGENDS: = FLAG NOTE CALL OUT REFERENCE ONLY	MATERIAL SPEC.	PARTS LIST				
	NONE	AMPHENOL CORPORATION 40-60 DELAWARE AVENUE SIDNEY, N.Y. 13858 CONNECTOR, FIBER OPTIC, BACKPLANE, 1 MT SPECIAL, SPRING LOADED (VITA 66.4 ENVELOPE)				
PROCESS SPEC.	9-3856-5 9-3895	APPROVALS PREPARED BY R. CHAPMAN ENGINEER IN CHARGE E. HICKEY DESIGN MANAGER R. SELFRIDGE DESIGN ACTIVITY GROUP BLP 03-Apr-18 THIRD ANGLE PROJECTION		DATE	SIZE C CAGE CODE 77820 DOCUMENT NO. 10-504639-010 REF: 10-504639-006 SHEET 1 OF 3	

NONE	PRO/ENGINEER INFORMATION
NEXT ASSEMBLY	Pro/e Model Used: 10-504639-010.DWG.ASSEM Drawing Name: 10-504639-010

DOCUMENT NO. 10-504639-010
 SHEET 1 OF 3
 REV. PA1
 C
 B
 A

DOCUMENT NO. 10-504639-010
 SHEET 1 OF 3
 REV. PA1
 C
 B
 A



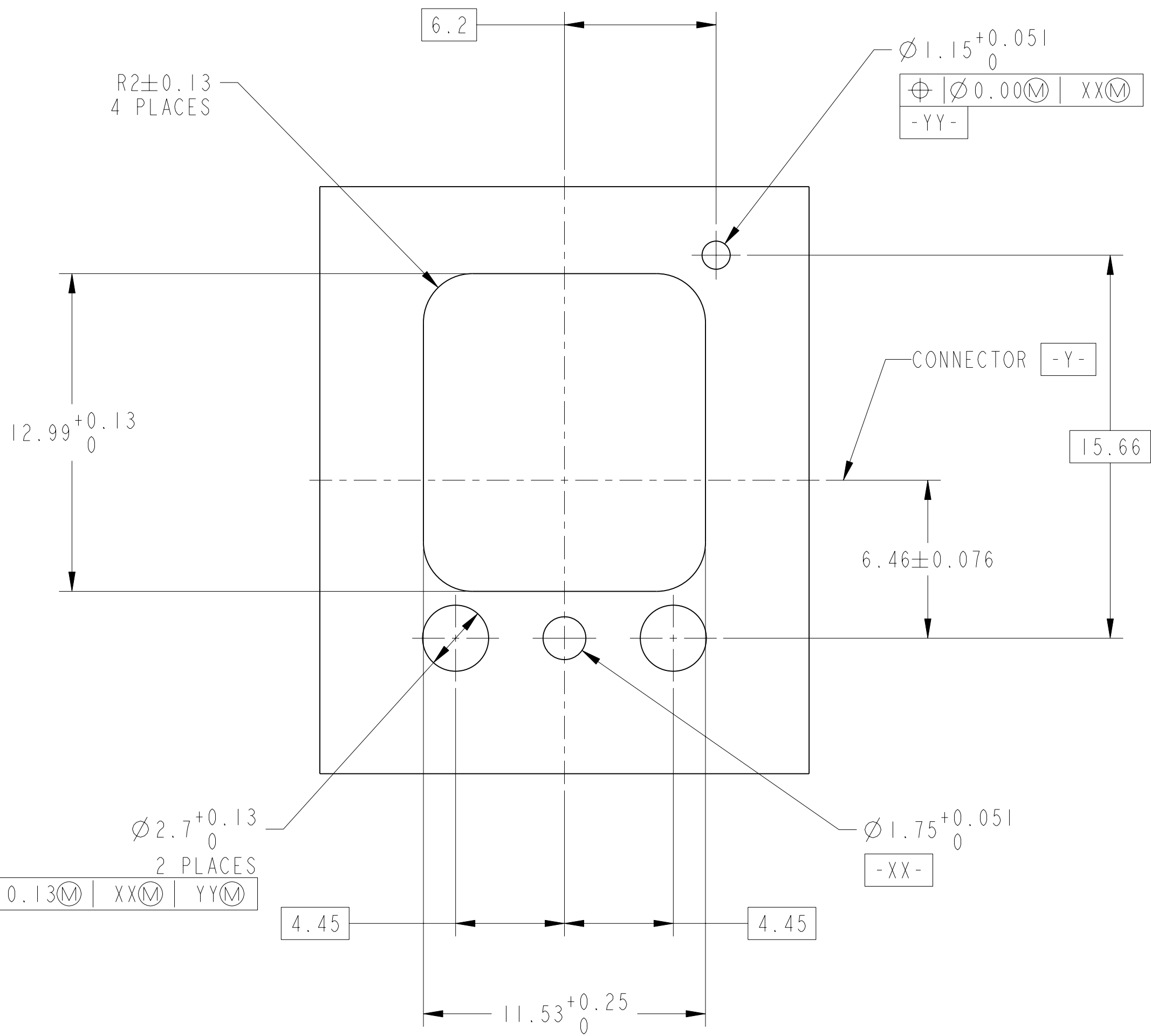
7. FOR CONNECTOR INSTALLATION ILLUSTRATION SEE SHEET 3.
6. FOR MATING MODULE CONNECTOR ASSEMBLY, SEE DRAWING 10-504637-012.
5. TIGHTEN CAPTIVE SCREWS TO 10-14 IN-OZ AFTER INSTALLING MT FERRULE (NOT INCLUDED).
4. FIBER OPTIC INSERT IS DESIGNED FOR MT TYPE FERRULES TERMINATED TO NON-STRENGTH MEMBERED RIBBON CABLE. MT FERRULE, PIN CLAMP ASSEMBLIES AND ASSOCIATED RIBBON CABLE ARE NOT PART OF THIS ASSEMBLY.
3. INDICATED CAVITY WILL ACCOMODATE A STANDARD 12 CHANNEL MT FERRULE PER IEC 61754-5 (SEE NOTE 4).
2. BLACK INK STAMP "AMPH 77820" PART NUMBER AND DATE CODE ON INDICATED SURFACE PER 9-3856-5. DATE CODE PER 9-3895. CHARACTERS TO BE 1.6±.51 (.062±.020) HIGH. ADDITIONAL INFORMATION MAY BE REQUESTED BY PURCHASE ORDER.
1. PARTS ARE SHIPPED UNASSEMBLED.

MATERIALS AND FINISHES

COMPONENT	MATERIAL/ FINISH
BACKPLANE SHELL	BODY - MATERIAL - ALUM. ALLOY PER AMS 4150 FINISH - CHROMATE TREATMENT PER MIL-C-5541, CL 3 HELICAL INSERTS - STAINLESS STEEL 304 SERIES PASSIVATED
INSERT ASSEMBLY	FRONT INSERT/RETAINER - MATERIAL - ALUM ALLOY PER AMS 4150 FINISH - CHROMATE TREATMENT PER MIL-C-5541, CL3 SCREW - STAINLESS STEEL 300 SERIES, PASSIVATED HELICAL INSERTS - STAINLESS STEEL 304 SERIES, PASSIVATED GUIDE PIN - STAINLESS STEEL PER AMS 5640. PASSIVATED

THE USE OF THIS DOCUMENT IS UNLIMITED. HOWEVER, DOCUMENTS REFERENCED HEREON MAY CONTAIN LIMITED RIGHTS DATA.

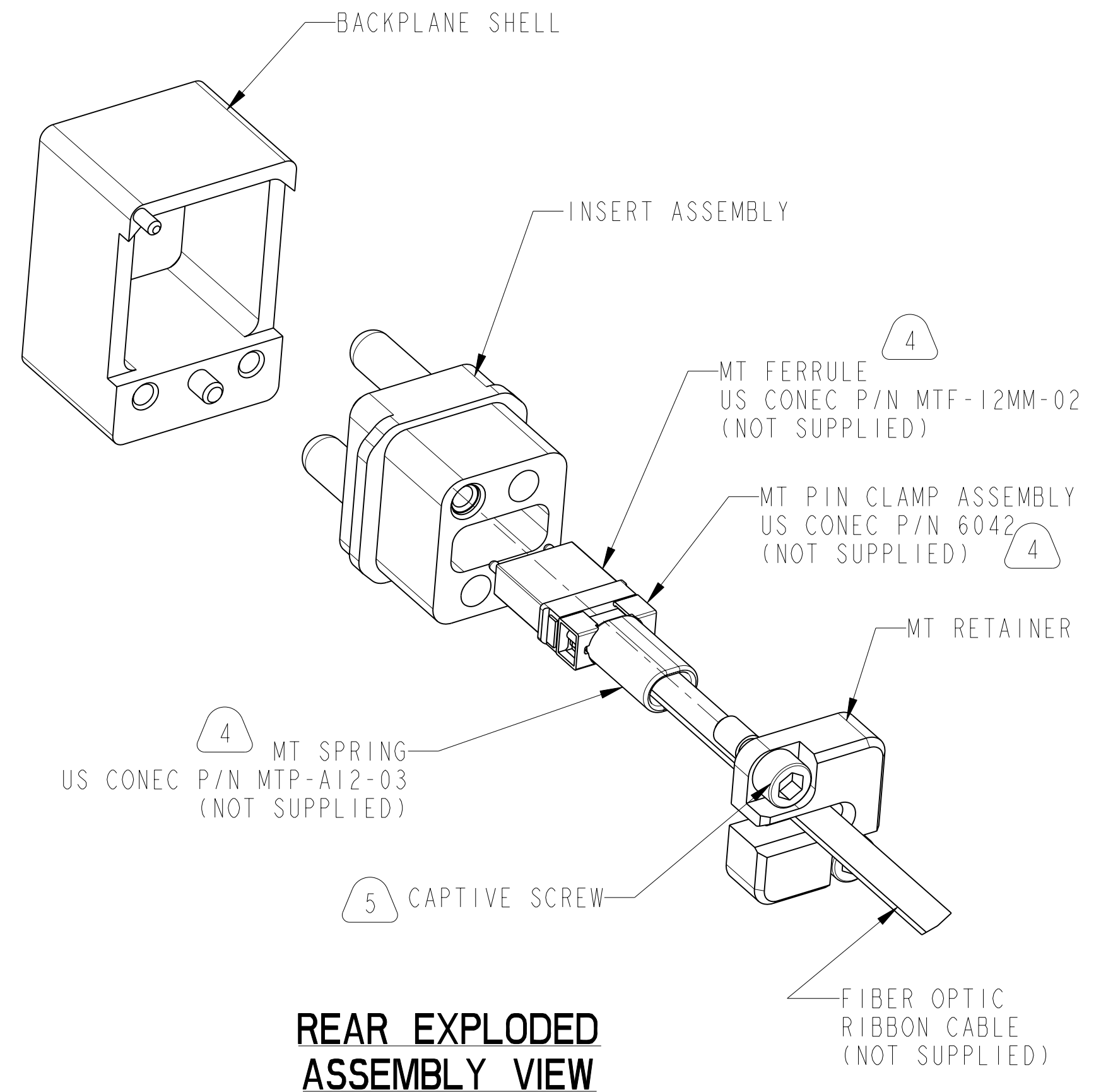
SIZE C	CAGE CODE 77820	DOCUMENT NO. 10-504639-010	REV. PA1
SCALE: 3.0	REF. 10-504639-006	SHEET 2 OF 3	



SUGGESTED BACKPLANE BOARD CUTOUTS

(CONNECTOR SIDE SHOWN)

SCALE 6.000



REAR EXPLODED ASSEMBLY VIEW

SCALE 3.000

THE USE OF THIS DOCUMENT IS UNLIMITED. HOWEVER, DOCUMENTS REFERENCED HEREON MAY CONTAIN LIMITED RIGHTS DATA.

SIZE C	CAGE CODE 77820	DOCUMENT NO. 10-504639-010	REV. PA1
SCALE: 3.0	REF. 10-504639-006	SHEET 3 OF 3	

X-ON Electronics

Largest Supplier of Electrical and Electronic Components

Click to view similar products for [Fibre Optic Connectors](#) category:

Click to view products by [Amphenol](#) manufacturer:

Other Similar products are found below :

[0004700001](#) [6100-R](#) [6313](#) [F709722200](#) [F709730000](#) [F718183204](#) [F727403500](#) [F727752800](#) [8119](#) [9440F20-27S-190](#) [944-120-6001](#)
[9441F10SL-3S](#) [9444W28-21S](#) [9444W36-10S](#) [9446W20-16S](#) [953-101-5310-P](#) [954-101-57202B](#) [A0270169](#) [12-9122](#) [12-5702](#) [AX101713](#)
[AX102420](#) [AX103923](#) [AX104024](#) [AX104193](#) [AX104230](#) [AX104562](#) [AX105203-B25](#) [AX105205-S1](#) [EHSC2M](#) [17-300800](#) [181-011-126](#)
[181-011-S](#) [181-057-126](#) [NKSOPBUY](#) [20500002116](#) [2064996-1](#) [20800001065](#) [2170](#) [9132](#) [2612](#) [2620](#) [9291](#) [9440F16-10S](#) [9440F20-18S](#)
[9444W32-73S](#) [9446F16-10S-190](#) [953-106-50231](#) [953-120-5003](#) [955-120-5110](#)