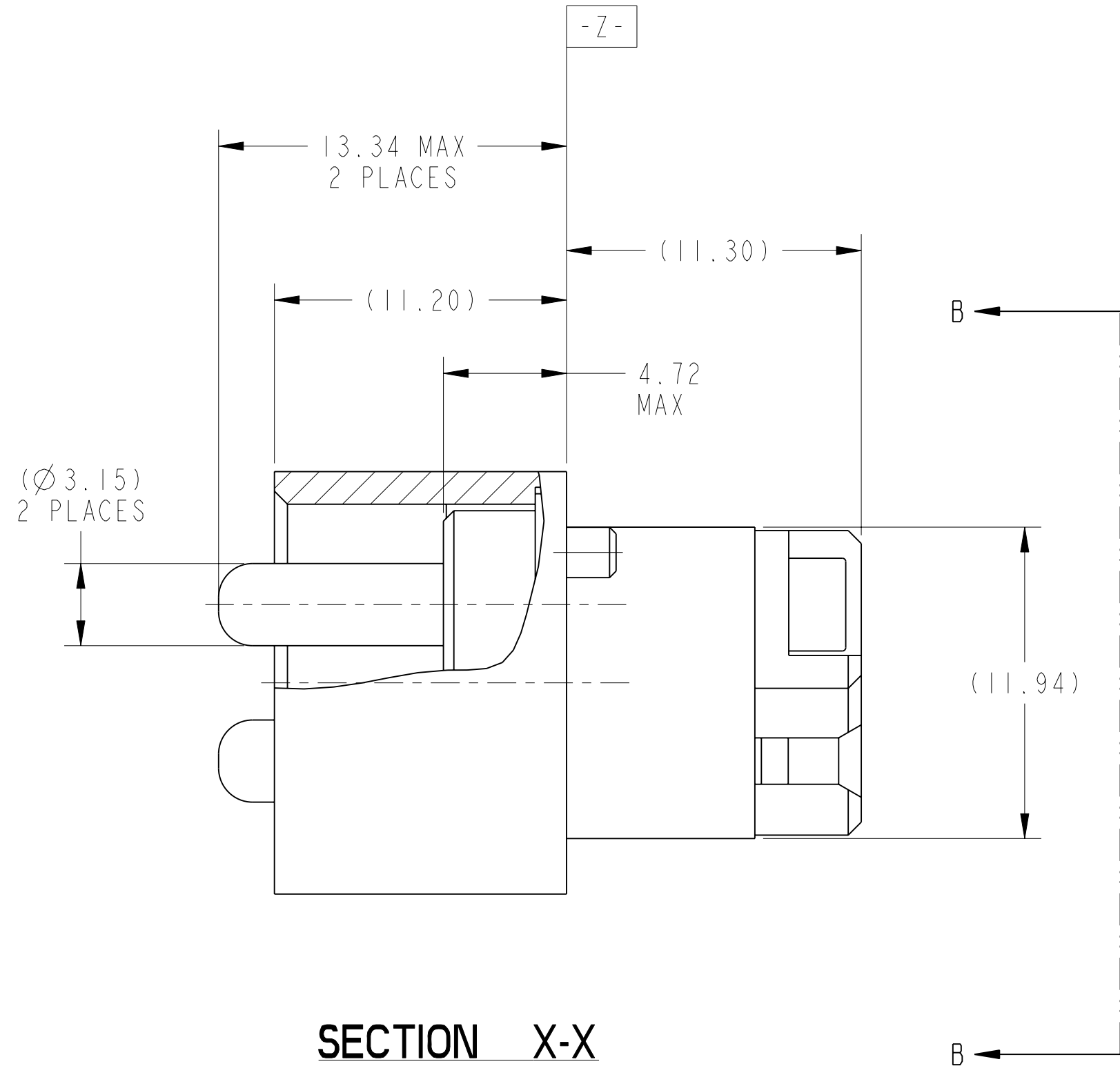
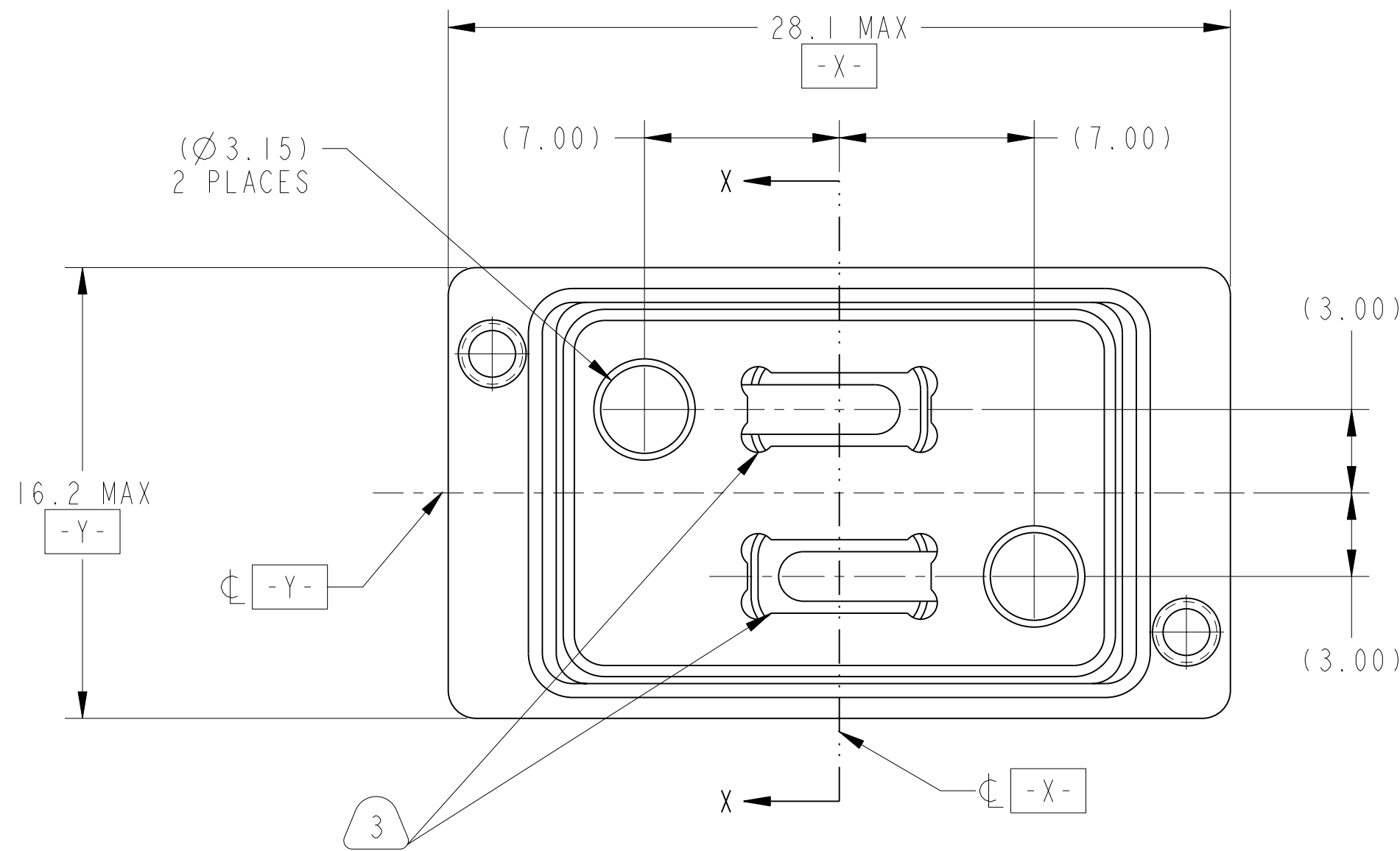
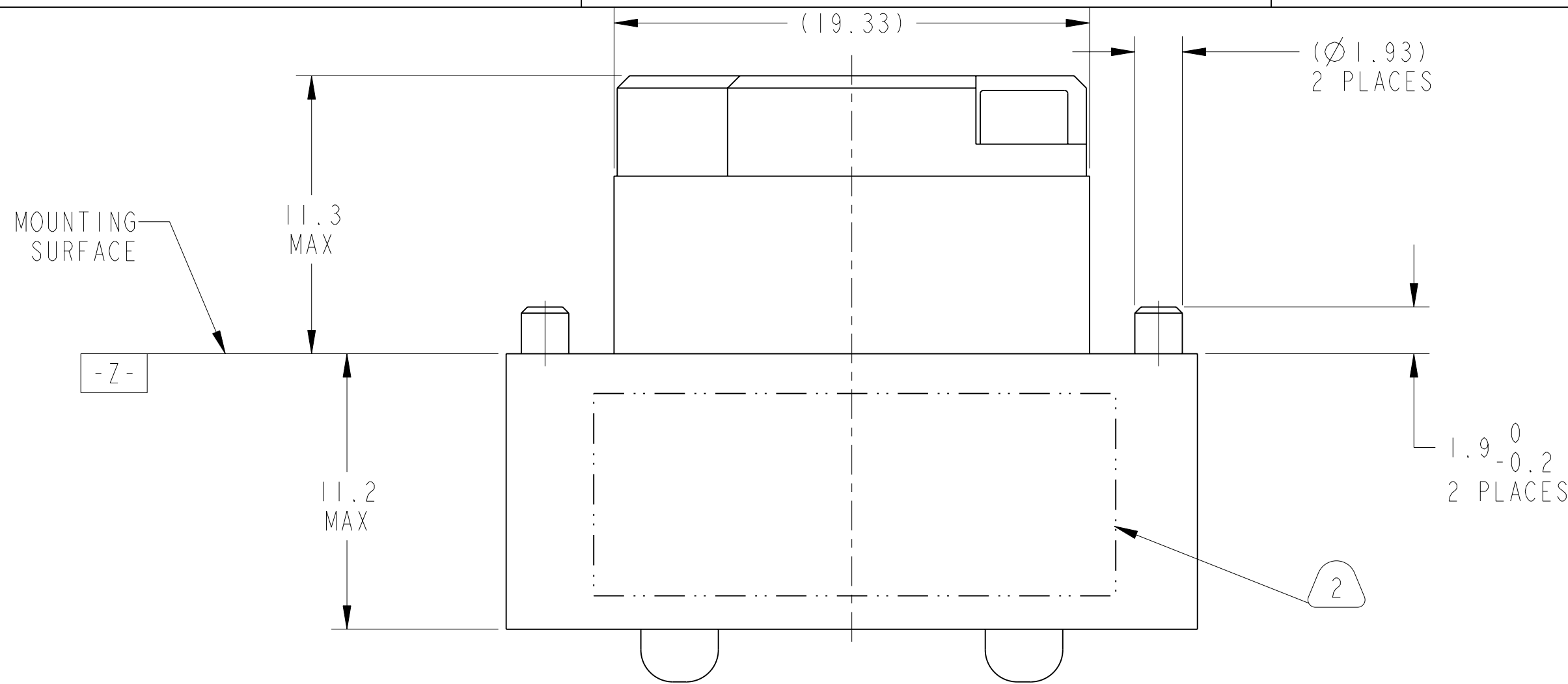


REV. PA1	SHEET 1 OF 3	DOCUMENT NO. 10-504639-011
M REVISIONS		
LTR	DESCRIPTION	DATE
PA1	INITIAL RELEASE	4/5/18



SECTION X-X

METRIC DRAWING

SEE SHEET 2

NOTES:

THE USE OF THIS DOCUMENT IS UNLIMITED. HOWEVER, DOCUMENTS REFERENCED HEREON MAY CONTAIN LIMITED RIGHTS DATA.

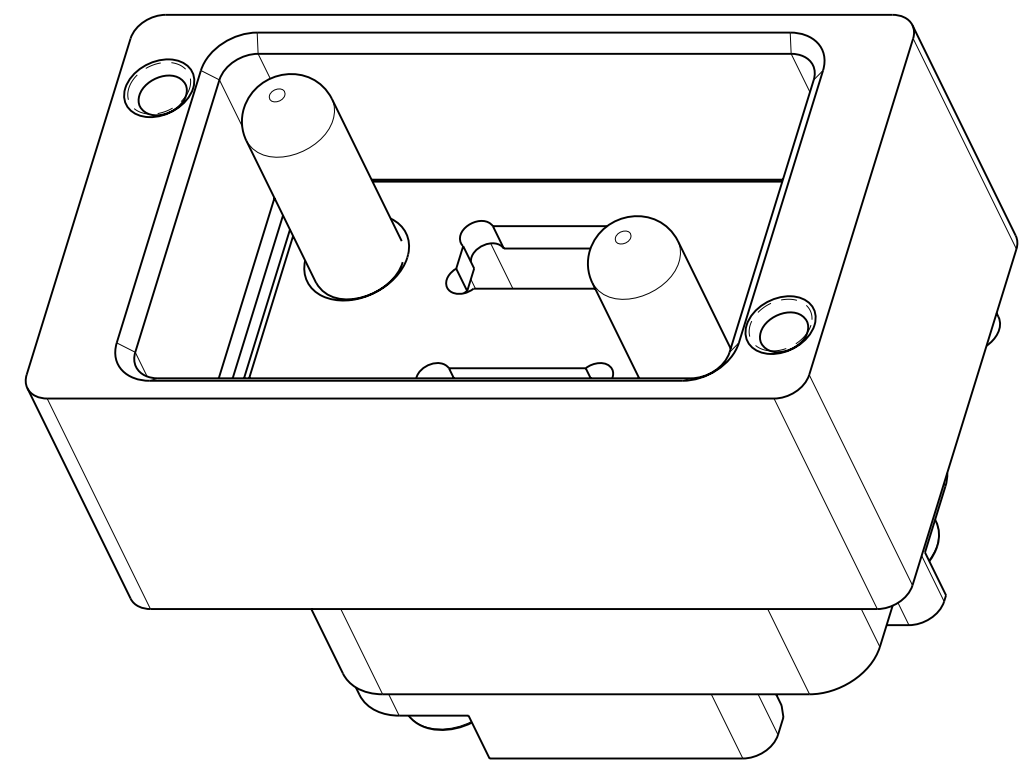
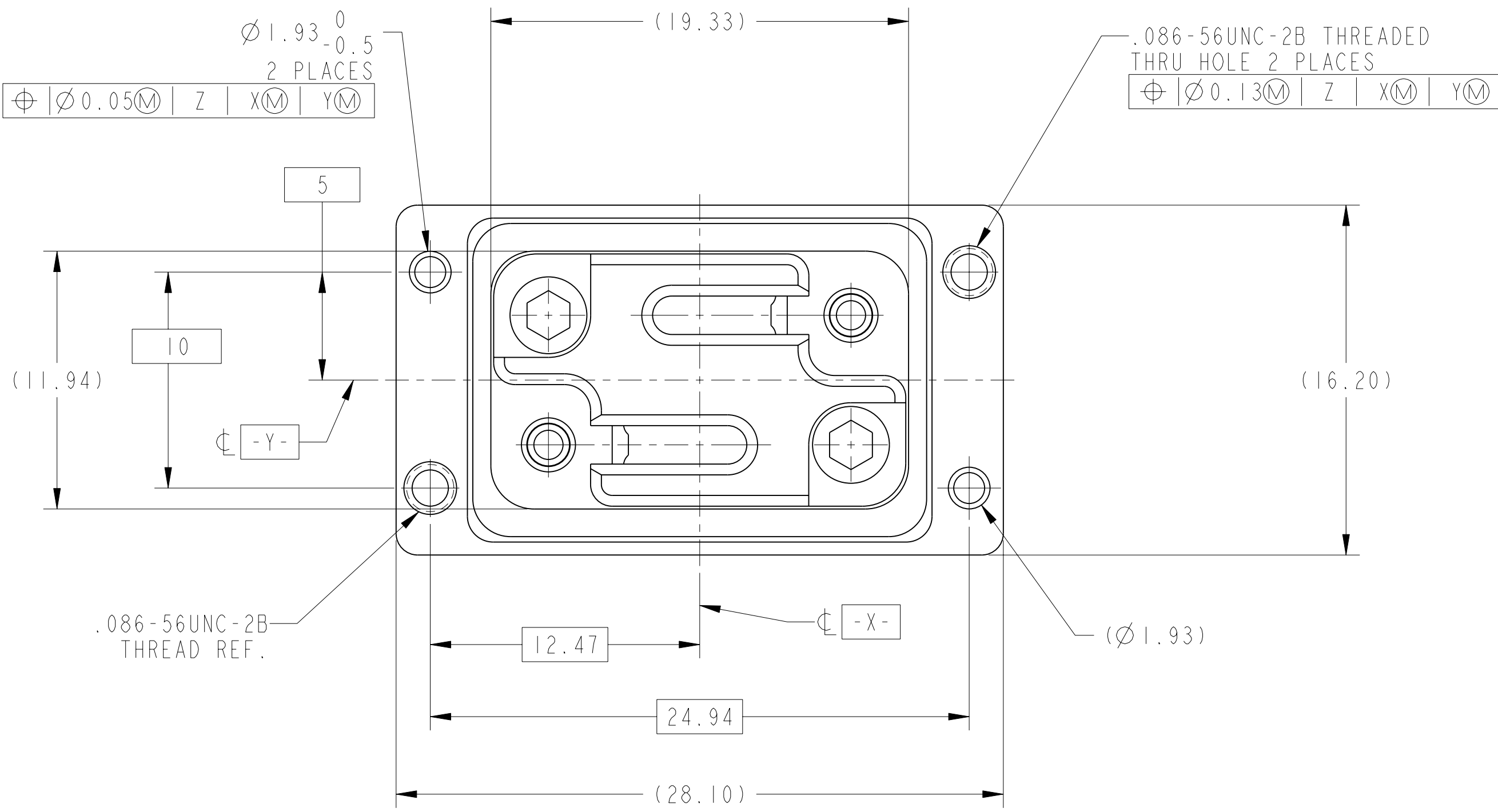
SCALE 5.000

NONE	PRO/ENGINEER INFORMATION
	Pro/e Model Used:
	10-504639-011.DWG.ASSEM
	Drawing Name:
	10-504639-011

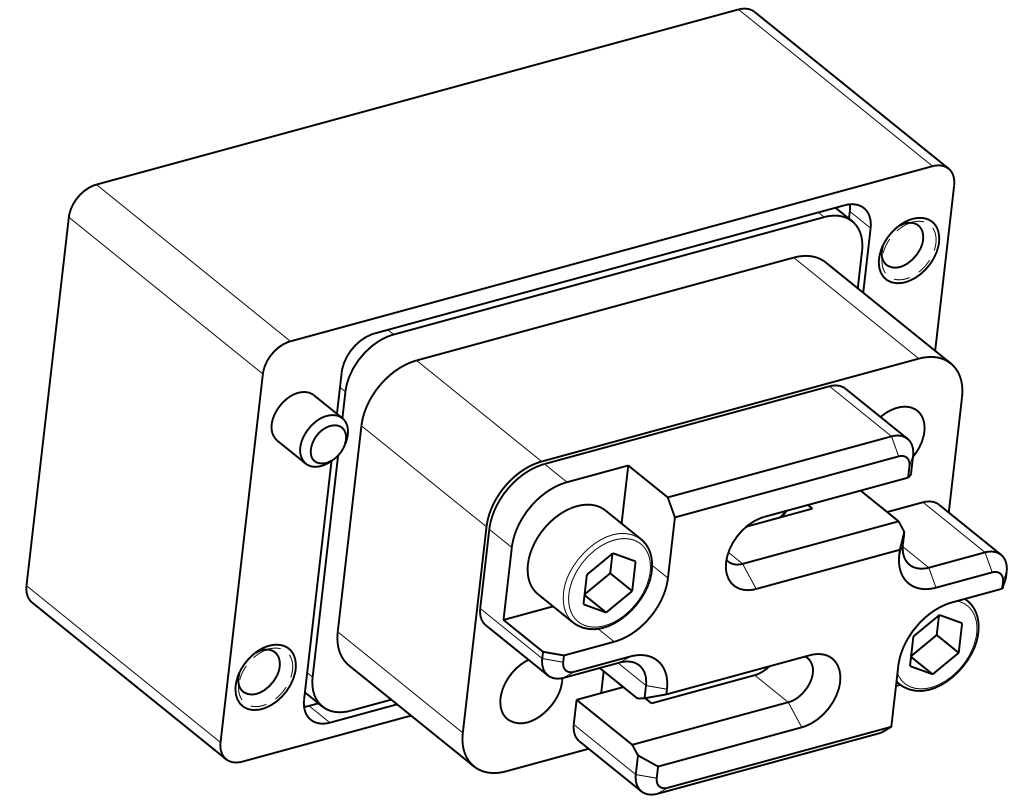
UNLESS OTHERWISE SPECIFIED		SPECIFICATIONS		POS	QTY	PART NUMBER	DESCRIPTION	NOTE
LINEAR DIMENSIONS ARE IN MILLIMETERS TOLERANCES: .XXXX = ±NA ANGLES= ±2° .XXX = ±NA .XX = ±.13 .X = ±.25		MATERIAL SPEC. NONE		APPROVALS		DATE	PARTS LIST	
DIM. & TOL. PER ASME Y14.5M; DRM PER MIL-DTL-31000; OTHER Amphenol Sds. PER 9-3800		PROCESS SPEC. 9-3856-5 9-3895		PREPARED BY R. CHAPMAN	ENGINEER IN CHARGE E. HICKEY	05-Apr-18	AMPHENOL CORPORATION 40-60 DELAWARE AVENUE SIDNEY, N.Y. 13838	
LEGENDS: = FLAG NOTE CALL OUT REFERENCE ONLY		THIRD ANGLE PROJECTION		DESIGN MANAGER R. SELFRIDGE	DESIGN ACTIVITY GROUP BLP	CONNECTOR, FIBER OPTIC, BACKPLANE, 2 MT SPECIAL, SPRING LOADED (VITA 66.1 ENVELOPE)		
						SIZE C	CAGE CODE 77820	DOCUMENT NO. 10-504639-011
								REV. PA1
						SCALE: 2.0	REF: 10-504639-002	SHEET 1 OF 3

DOCUMENT NO. 10-504639-011
SHEET 1 OF 3
REV. PA1

DOCUMENT NO. 10-504639-011
SHEET 1 OF 3
REV. PA1



TOP ISO VIEW
SCALE 4.000



BOTTOM ISO VIEW
SCALE 4.000

7. FOR CONNECTOR INSTALLATION ILLUSTRATION SEE SHEET 3.
6. FOR MATING MODULE CONNECTOR ASSEMBLY, SEE DRAWING 10-504637-013.
5. TIGHTEN CAPTIVE SCREWS TO 10-14 IN-OZ AFTER INSTALLING MT FERRULE (NOT INCLUDED).
4. FIBER OPTIC INSERT IS DESIGNED FOR MT TYPE FERRULES TERMINATED TO NON-STRENGTH MEMBERED RIBBON CABLE. MT FERRULES, PIN CLAMP ASSEMBLIES AND ASSOCIATED RIBBON CABLE ARE NOT PART OF THIS ASSEMBLY.
3. INDICATED CAVITIES WILL ACCOMODATE A STANDARD 12 CHANNEL MT FERRULE PER IEC 61754-5 (SEE NOTE 4).
2. BLACK INK STAMP "AMPH", 77820, PART NUMBER AND DATE CODE ON INDICATED SURFACE PER 9-3856-5. DATE CODE PER 9-3895. CHARACTERS TO BE 1.6±.51 (.062±.020) HIGH. ADDITIONAL INFORMATION MAY BE REQUESTED BY PURCHASE ORDER.
1. PARTS ARE SHIPPED UNASSEMBLED.

THE USE OF THIS DOCUMENT IS UNLIMITED. HOWEVER, DOCUMENTS REFERENCED HEREON MAY CONTAIN LIMITED RIGHTS DATA.

MATERIALS AND FINISHES

COMPONENT	MATERIAL/ FINISH
BACKPLANE SHELL	BODY - MATERIAL - ALUM. ALLOY PER AMS 4150 FINISH - CHROMATE TREATMENT PER MIL-C-5541, CL 3 HELICAL INSERTS - STAINLESS STEEL 304 SERIES PASSIVATED
INSERT ASSEMBLY	FRONT INSERT/RETAINER - MATERIAL - ALUM ALLOY PER AMS 4150 FINISH - CHROMATE TREATMENT PER MIL-C-5541, CL3 SCREW - STAINLESS STEEL 300 SERIES, PASSIVATED HELICAL INSERTS - STAINLESS STEEL 304 SERIES, PASSIVATED

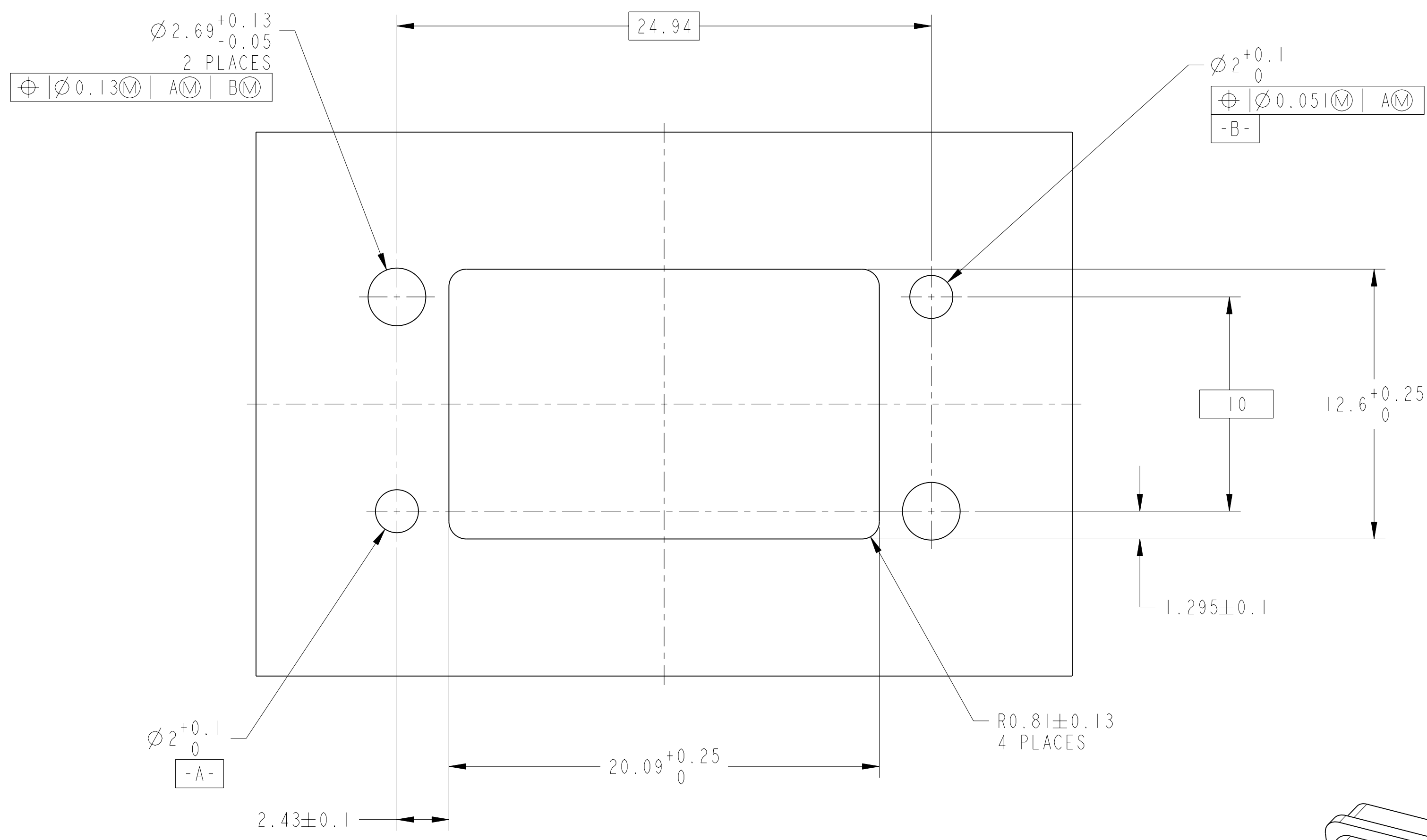
SIZE C	CAGE CODE 77820	DOCUMENT NO. 10-504639-011	REV. PA1
SCALE: 2.0	REF. 10-504639-002	SHEET 2 OF 3	

4

3

2

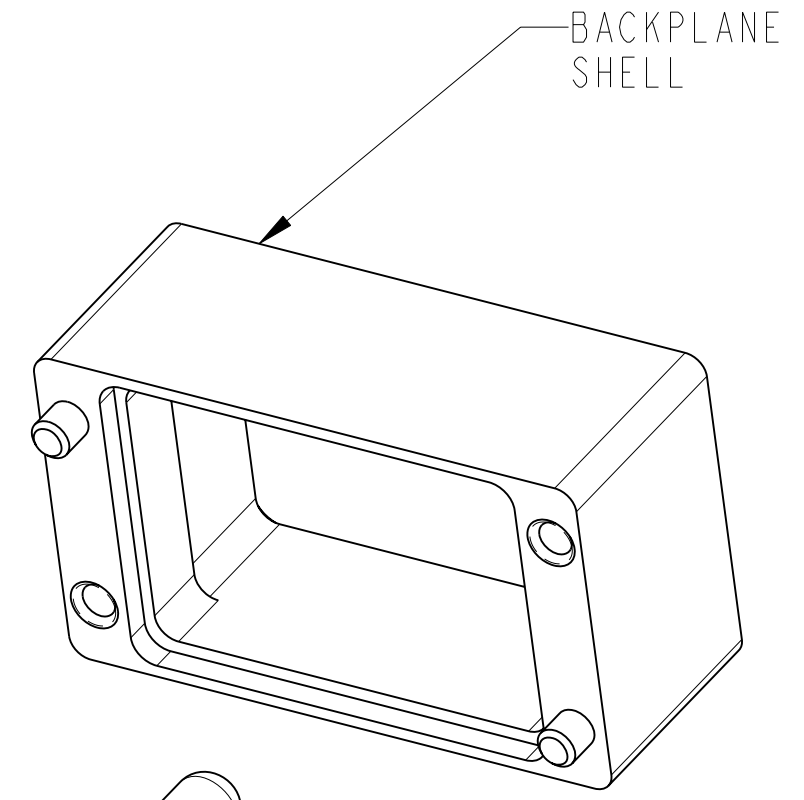
DOCUMENT NO.
10-504639-011
SHEET 3 OF 3
REV.
PA1



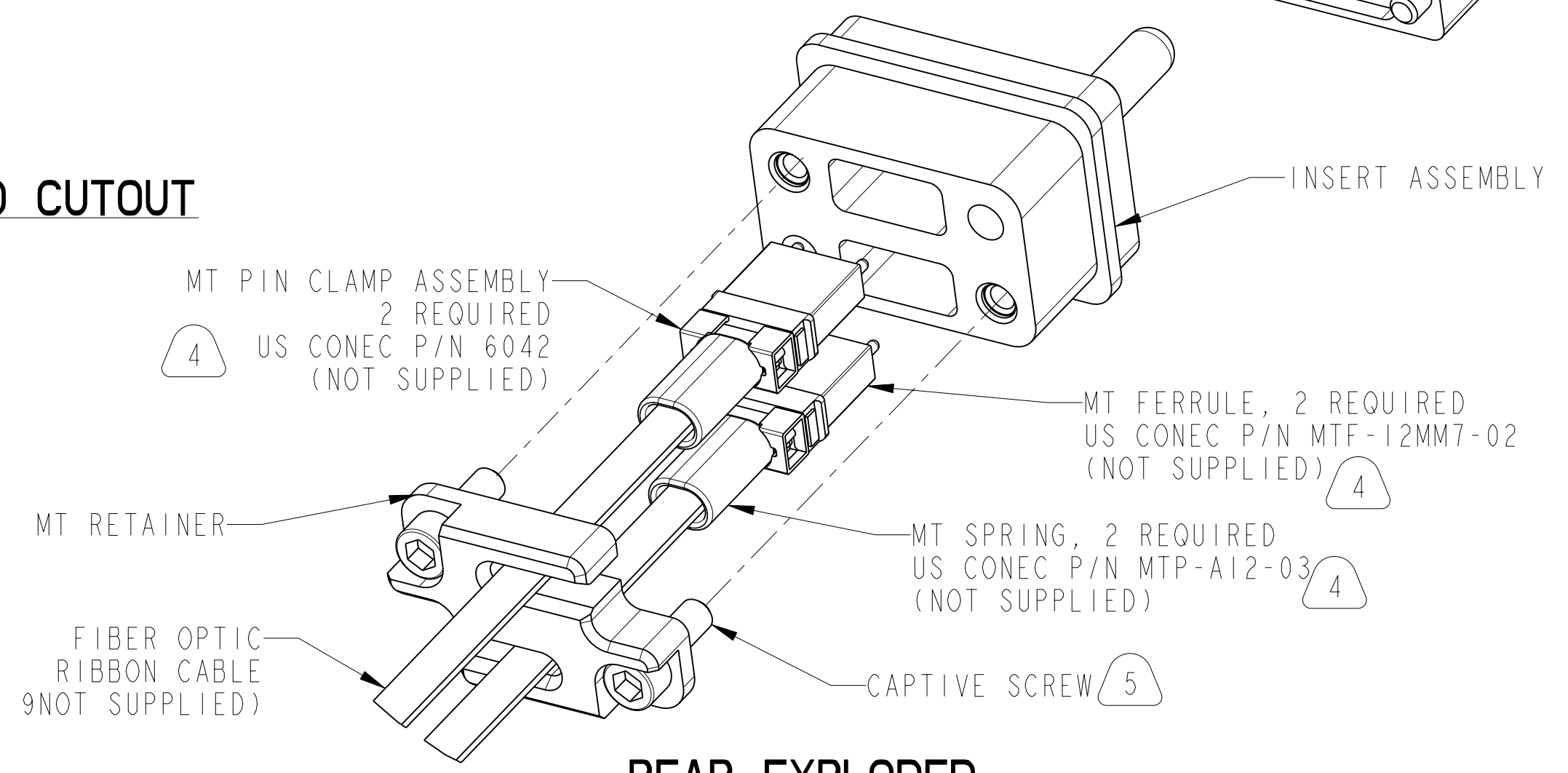
SUGGESTED BACKPLANE BOARD CUTOUT

(CONNECTOR SIDE SHOWN)

SCALE 6.000



BACKPLANE SHELL



REAR EXPLODED ASSEMBLY VIEW

SCALE 3.000

THE USE OF THIS DOCUMENT IS UNLIMITED. HOWEVER, DOCUMENTS REFERENCED HEREON MAY CONTAIN LIMITED RIGHTS DATA.

SIZE C	CAGE CODE 77820	DOCUMENT NO. 10-504639-011	REV. PA1
SCALE: 2.0	REF. 10-504639-002	SHEET 3 OF 3	

3

2

1

D

C

B

A

REV. PA1 SHEET 3 OF 3 DOCUMENT NO. 10-504639-011

X-ON Electronics

Largest Supplier of Electrical and Electronic Components

Click to view similar products for [Fibre Optic Connectors](#) category:

Click to view products by [Amphenol](#) manufacturer:

Other Similar products are found below :

[0004700001](#) [6100-R](#) [6313](#) [F709730000](#) [F718183204](#) [F727403500](#) [F727752800](#) [8119](#) [9440F20-27S-190](#) [944-120-6001](#) [9441F10SL-3S](#)
[9444W28-21S](#) [9444W36-10S](#) [9446F10SL-4S](#) [9446W20-16S](#) [953-101-5310-P](#) [954-101-57202B](#) [A0270169](#) [12-9122](#) [12-5702](#) [AX101713](#)
[AX102420](#) [AX103923](#) [AX104024](#) [AX104193](#) [AX104230](#) [AX104562](#) [AX105203-B25](#) [AX105205-S1](#) [EHSC2M](#) [17-300800](#) [181-011-126](#)
[181-011-S](#) [181-057-126](#) [NKSOPBUY](#) [20500002116](#) [2064996-1](#) [20800001065](#) [2170](#) [9132](#) [2612](#) [2620](#) [9291](#) [9440F16-10S](#) [9440F20-18S](#)
[9446F16-10S-190](#) [953-106-50231](#) [953-120-5003](#) [955-120-5110](#) [1757711-1](#)