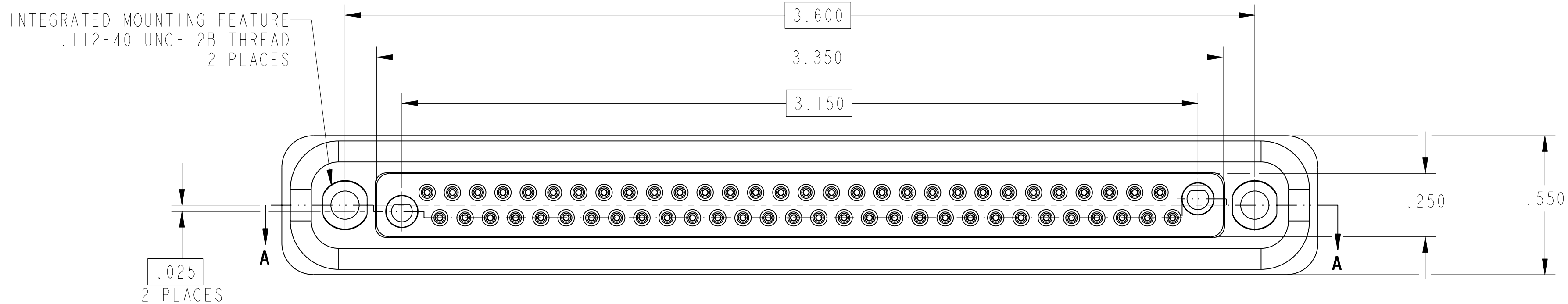
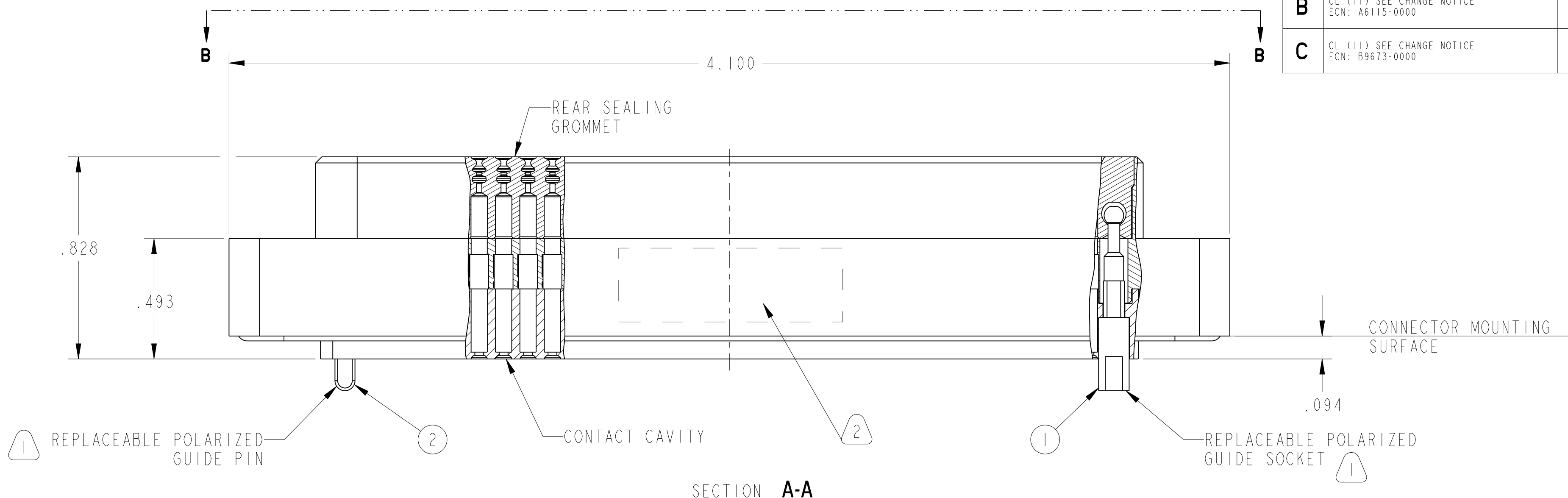


REV. C	SHEET 1 OF 4	DOCUMENT NO. 10-504934-001
REVISIONS		
LTR	DESCRIPTION	DATE
A	INITIAL RELEASE	07/23/2008
B	CL (11) SEE CHANGE NOTICE ECN: A6115-0000	10/01/2008 D. M.
C	CL (11) SEE CHANGE NOTICE ECN: B9673-0000	11/17/14 MRG



SEE SHEET 3

NOTES:

THE USE OF THIS DOCUMENT IS UNLIMITED. HOWEVER, DOCUMENTS REFERENCED HEREON MAY CONTAIN LIMITED RIGHTS DATA.

N/A
NEXT ASSEMBLY

PRO/ENGINEER INFORMATION
 Pro/e Model Used:
 10-504934-001_K08EMEVEL.ASSEM
 Drawing Name:
 10-504934-001

UNLESS OTHERWISE SPECIFIED
 LINEAR DIMENSIONS ARE IN INCHES
 TOLERANCES:
 .XXXX = ±.0005 ANGLES= ±2°
 .XXX = ±.010
 .XX = ±.03
 .X = ±.1
 DIM. & TOL. PER ASME Y14.5M;
 DRM PER MIL-DTL-31000;
 OTHER Amphenol Stds. PER 9-3800
 LEGENDS:
 =FLAG NOTE CALL OUT REFERENCE ONLY

SPECIFICATIONS
 MATERIAL SPEC.
 SEE NOTES
 PROCESS SPEC.
 9-3856-5
 9-3895
 SEE NOTES

POS	QTY	PART NUMBER	DESCRIPTION	NOTE
3	60	M39029/57-354	CRIMP CONTACTS	
2	1	10-504934-008	POLARIZATION PIN	
1	1	10-504934-007	POLARIZATION SOCKET	
		10-504934-002	ASSEMBLY, MANUFACTURE	

APPROVALS	DATE
PREPARED BY: DMORSE	
ENGINEER IN CHARGE: BCHUBB	04-08-08
DESIGN MANAGER: E.HICKEY	
DESIGN ACTIVITY GROUP: BOARD LEVEL	

THIRD ANGLE PROJECTION

PARTS LIST

AMPHENOL CORPORATION
 40-60 DELAWARE AVENUE
 SIDNEY, N.Y. 13858

**CONNECTOR, ELECTRICAL,
 I/O, SEALED,
 60 CONTACT POSITION**

SIZE C	CAGE CODE 77820	DOCUMENT NO. 10-504934-001	REV. C
SCALE: 3.0		REF. N/A	SHEET 1 OF 4

VERSION P
 REVISION C
 RELEASE STATE WIP
 SHEET 1 OF 4
 DOCUMENT NO. 10-504934-001

10-504934-001

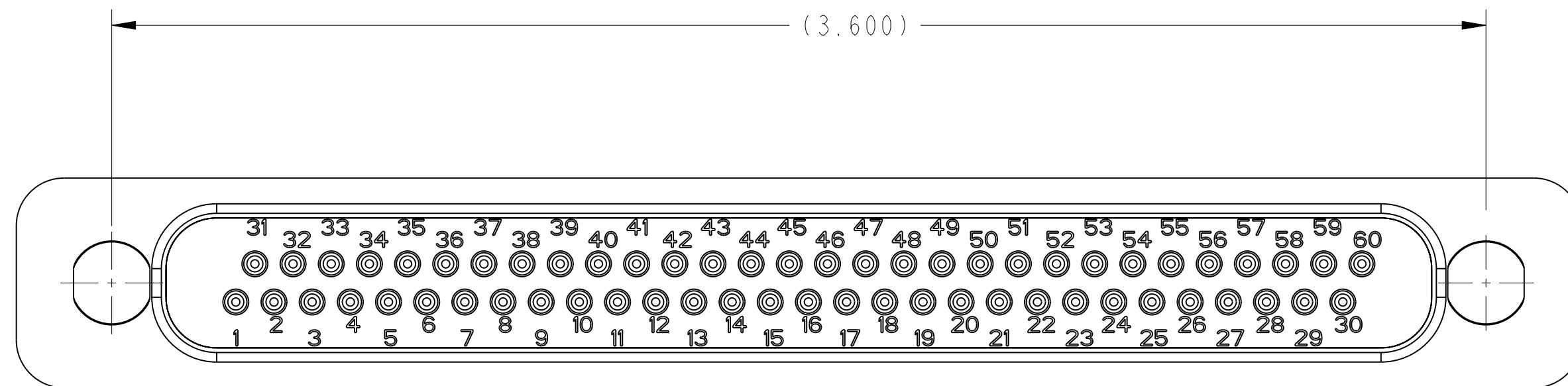
SHEET 2 OF 4

REV. C

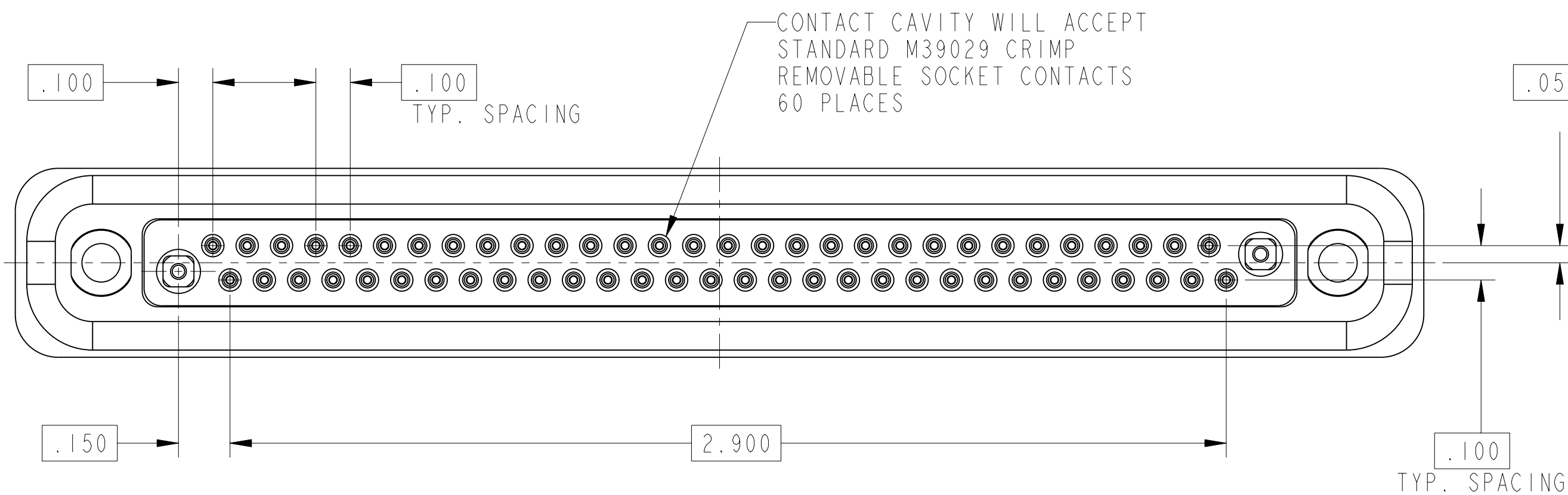
C

B

A



VIEW AT B-B



CONTACT LAYOUT

SEE SHEET 3

NOTES:

THE USE OF THIS DOCUMENT IS UNLIMITED. HOWEVER, DOCUMENTS REFERENCED HEREON MAY CONTAIN LIMITED RIGHTS DATA.

SIZE C	CAGE CODE 77820	DOCUMENT NO. 10-504934-001	REV. C
SCALE: 1.0		REF: N/A	SHEET 2 OF 4

10-504934-001

SHEET 2 OF 4

REV. C

REV. C
SHEET 2 OF 4
10-504934-001

RELEASE STATE: MIP
REV. C
VERSION: P

10-504934-001

SHEET 3 OF 4

REV. C

C

B

A

TEST	REQUIREMENT	TEST METHOD PER MIL-STD-1344 (SUPERSEDED BY EIA 364)
OPERATING TEMP.	-65° TO +125°C	N/A
CONTACT RESISTANCE	.020 OHMS MAXIMUM	#3004 (EIA 364.6)
DIELECTRIC WITHSTANDING	1000 VRMS, 60 Hz @ SEA LEVEL 300 VRMS, 60 Hz @ 70,000 FEET 300 VRMS, 60 Hz @ 100,000 FEET	#3001 (EIA 364.20)
INSULATION RESISTANCE	5000 MEGAOHMS MINIMUM @ 500 VDC	#3003 (EIA 364.21)
DURABILITY	500 MATING CYCLES	MIL-DTL-55302 4.5.9
TEMPERATURE CYCLING	5(1) HR CYCLES: -65° TO +125°C	#1003 (EIA 364.32)
VIBRATION	10-2000 Hz, 15G PEAK	#2005 (EIA 364.28)
SALT SPRAY	5% SALT SPRAY @95°F FOR 48 HOURS	#1001 (EIA 364.26)
SHOCK	100G SAWTOOTH, 6MS	#2004 (EIA 364.27)
HUMIDITY	10 DAYS @ 25° TO 65°C, 80-90% RH	#1002 (EIA 364.31)
RAIN AND WIND	4 INCHES/HOUR WITH 40 MPH WINDS	MIL-STD-810, TEST METHOD 506.4, PROCEDURE I AND III
CONTACT ENGAGEMENT FORCE	12 OZ. MAXIMUM	#2014 (EIA 364.37) & MIL-DTL-55302
CONTACT SEPERATION FORCE	.5 OZ MINIMUM	#2014 (EIA 364.37) & MIL-DTL-55302
FLUID IMMERSION	TURBINE FLUID LUBRICATING OIL, HYDRAULIC FLUID, PHOSPHATE ESTER BASED HYDRAULIC FLUID, DEFROSTING FLUID, CLEANING COMPOUND, GASOLINE, GASOHOL, AVIATION GASOLINE, JET FUEL A & B, ONE-PART ISOPROPYL ALCOHOL	EIA 364.10

ACCESSORIES	
PART NUMBER	DESCRIPTION
10-405996-022	PLUG, SEAL, GROMMET

3. SEE SEPARATE PARTS LIST FOR COMPONENT PART NUMBERS.
2. INK STAMP "AMPHENOL" 77820, PART NUMBER AND DATE CODE ON INDICATED SURFACE PER 9-3856-5. DATE CODE PER 9-3895. CHARACTERS SHALL BE .062 ±.020 HIGH.
1. INDICATED PARTS ARE SHOWN ASSEMBLED. THESE PARTS WILL BE SHIPED UNASSEMBLED.

NOTES:

THE USE OF THIS DOCUMENT IS UNLIMITED. HOWEVER, DOCUMENTS REFERENCED HEREON MAY CONTAIN LIMITED RIGHTS DATA.

REPLACEMENT COMPONENTS		
F/N	PART NUMBER	DESCRIPTION
1	10-504934-007	POLARIZED GUIDE SOCKET
2	10-504934-008	POLARIZED GUIDE PIN
3	M39029/354	SOCKET CONTACTS
4	10-504934-009	PANEL SEAL GASKET

SIZE C	CAGE CODE 77820	DOCUMENT NO. 10-504934-001	REV. C
SCALE: 1.0		REF: N/A	SHEET 3 OF 4

VERSION I

REVISION C

RELEASE STATE WIP

REV. C

SHEET 3 OF 4

10-504934-001

10-504934-001

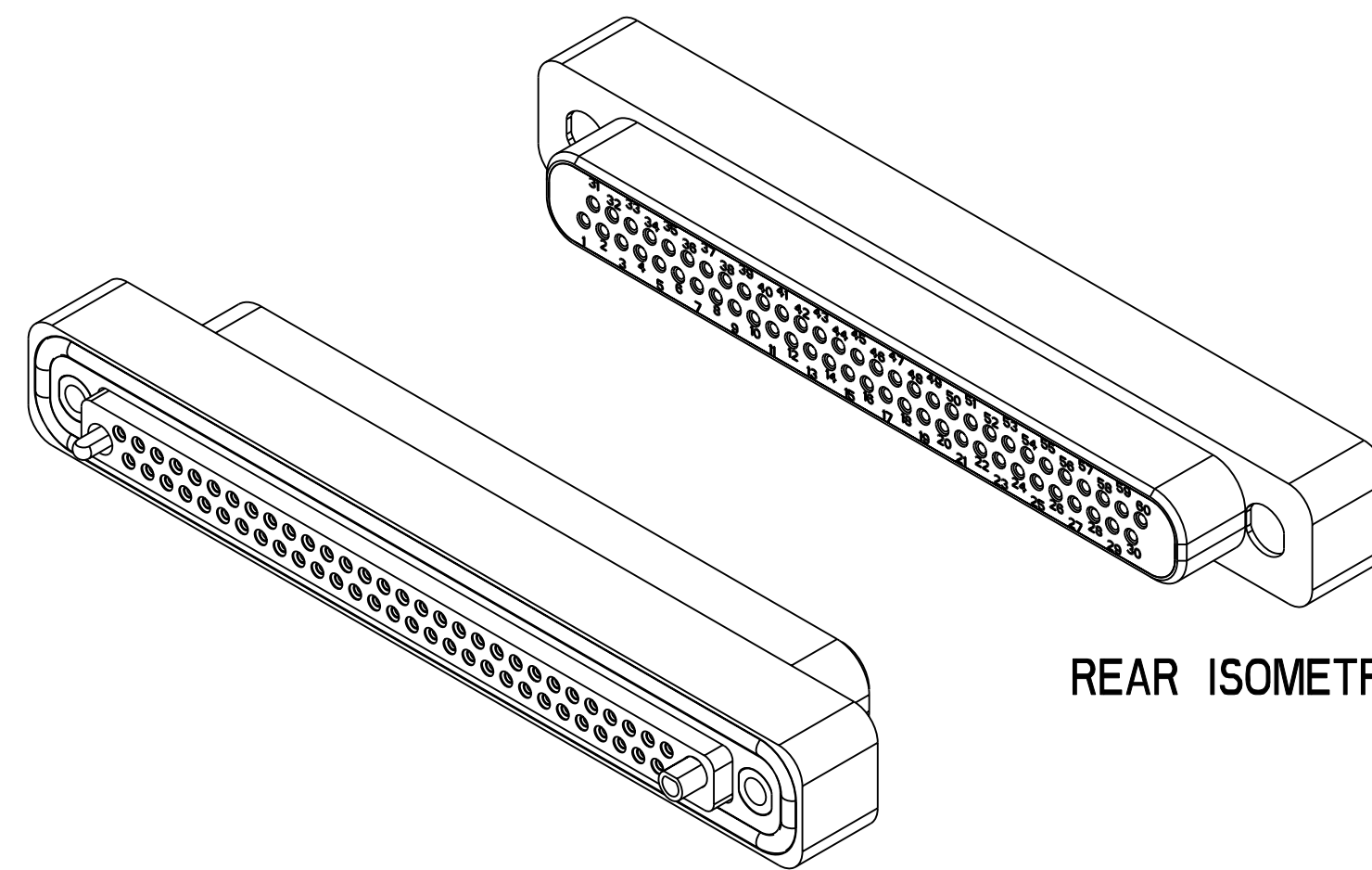
SHEET 4 OF 4

REV. C

C

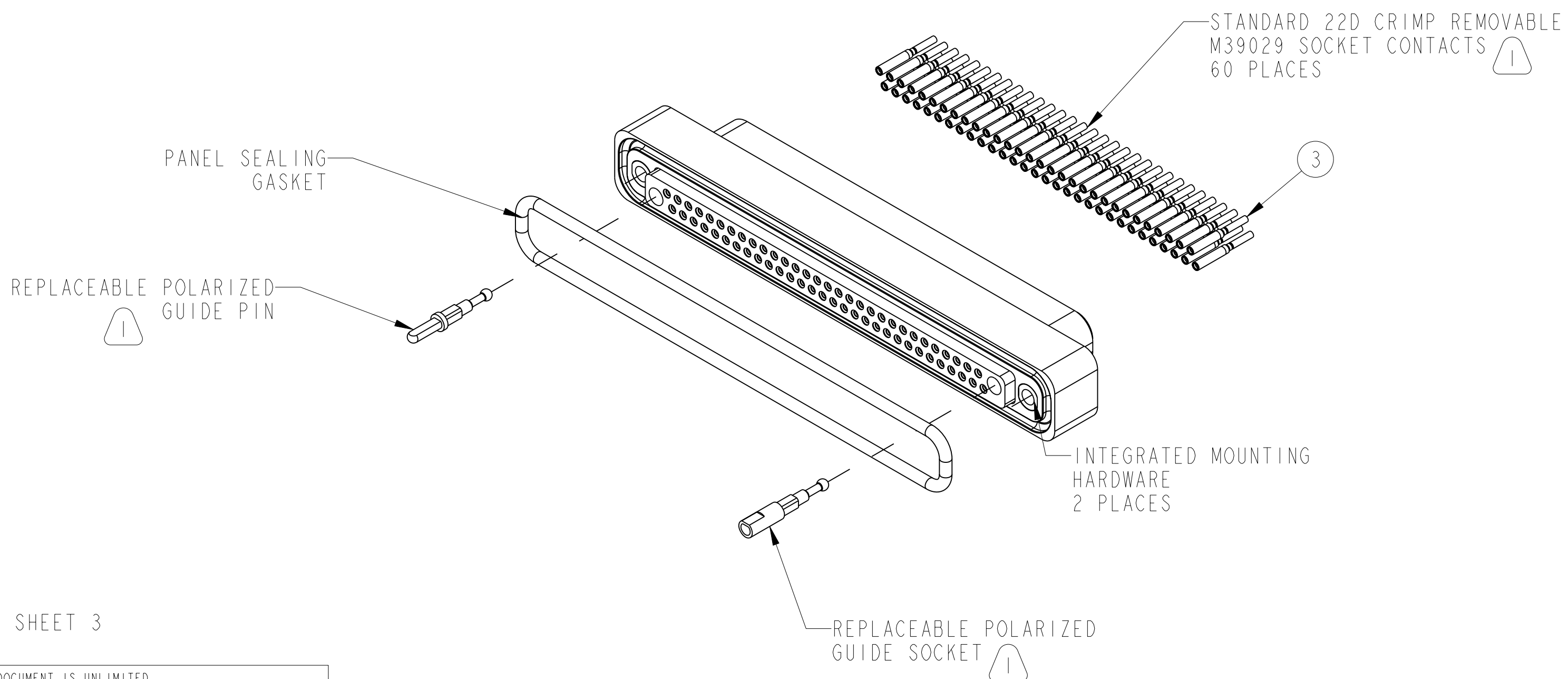
B

A



REAR ISOMETRIC VIEW

FRONT ISOMETRIC VIEW



NOTES: SEE SHEET 3

THE USE OF THIS DOCUMENT IS UNLIMITED. HOWEVER, DOCUMENTS REFERENCED HEREON MAY CONTAIN LIMITED RIGHTS DATA.

FORMAT: C-U-E-I

DOCUMENT NO. 10-504934-001

SHEET 4 OF 4

REV. C

SIZE C	CAGE CODE 77820	DOCUMENT NO. 10-504934-001	REV. C
SCALE: 1.5	REF: N/A	SHEET 4 OF 4	

RELEASE STATE: WIP
 REVISION: C
 VERSION: I

SHEET 4 OF 4

10-504934-001

REV. C

X-ON Electronics

Largest Supplier of Electrical and Electronic Components

Click to view similar products for [Rack & Panel Connectors](#) category:

Click to view products by [Amphenol](#) manufacturer:

Other Similar products are found below :

[00171410002](#) [00171420202](#) [00171440002](#) [02-014-013-5200-000](#) [613467-000](#) [CTJ112E01E-513](#) [CTJ116E03A-513](#) [CTJ720E01B-513 L/C](#)
[66020-2](#) [CW8958-000](#) [699886-000](#) [D250-50632](#) [70.400.3240.0](#) [70.955.2453.3](#) [733753-000](#) [F22831-000](#) [780-522-DPX34RG8-02](#) [8660-501](#)
[87.060.0053.0](#) [900709N001](#) [928358-1](#) [D-659-0061](#) [DMC-MD 24 C-T](#) [1-445717-6](#) [1484469-2](#) [1604997-2](#) [MTC100-BF1-P31CS015](#)
[MTC100-KT2-0083](#) [MTC100-KT2-0123-003](#) [MTC100-YA1-005](#) [MTCPQKT1R2PGCA](#) [MTCR-103-04S](#) [MTCX1X-100-100CS025](#)
[1738331-1](#) [1757667-1](#) [1811481-1](#) [1883433-1](#) [201046-7](#) [202648-4](#) [213364-1](#) [226503-000](#) [937028-164](#) [1663130-2](#) [172305-4](#) [F36711-000](#)
[202355-2](#) [202356-2](#) [G16S-A](#) [G20S-AB](#) [CHA-0017-003](#)