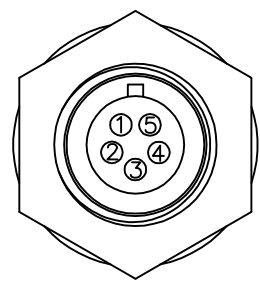
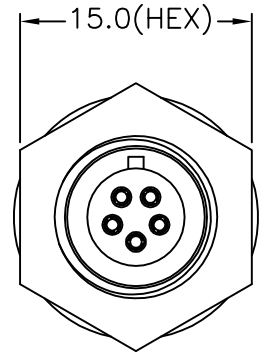
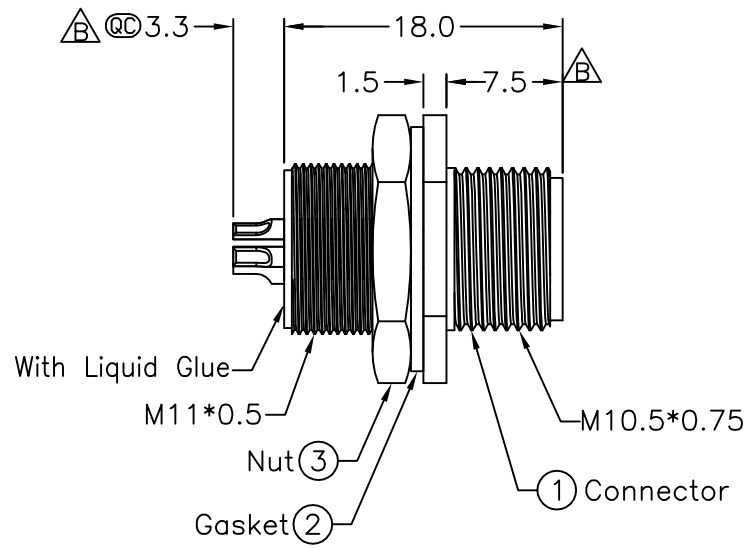
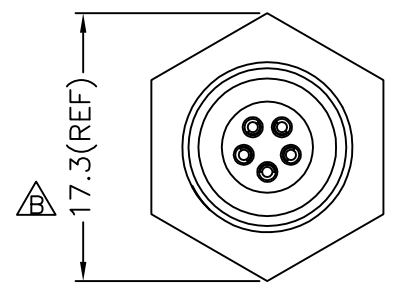
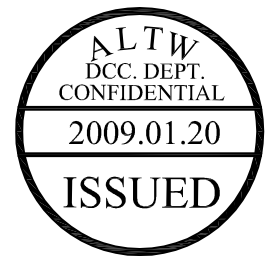
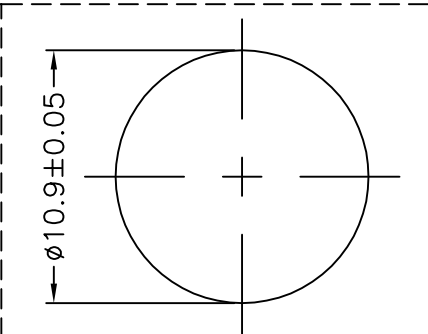


REV.	ECN NO.	DATE	SIGN	DESCRIPTION
B	LE3-910085	2009/01/16	Vicky	Update the drawing.

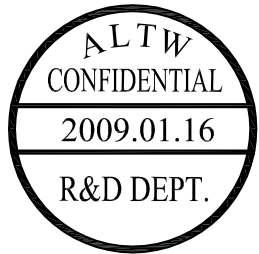
THIS DOCUMENT IS SUBJECT TO CHANGE WITHOUT NOTICE. IT IS CONFIDENTIAL AND A PROPERTY OF Amphenol LTW. DISCLOSURE TO THIRD PARTY HAS TO BE AUTHORIZED BY Amphenol LTW.



Pin Assignments
Front View



Recommended Panel Cut-Out



Notes:

- * @C Important Dimension.
- * Waterproof Rate:IP67.
- * Connector:Black,Nylon+GF.
- * Female Pin:Copper Alloy,Gold Plated.
- * Gasket:Black,EPDM.
- * Nut:Copper Alloy,Nickel Plated.
- * Shield:Copper Alloy,Nickel Plated.
- * For Panel Thickness Max:6.0mm.
- * Nut Torque:4~6 Kgf.cm

UNIT:mm		TITLE M10.5 Conn Panel Screw 5P M Conn F Pin	Amphenol LTW 安費諾亮泰企業股份有限公司		ITEM NO 105-05PMFS-SH7001	DRAWN BY Vicky	DATE 2009/01/16
TOLERANCE .X ±0.25 .XX ±0.1 .XXX ±0.05 ANGLES ±1'		SCALE Free	SHEET 1 OF 1		DWG NO 105-05PMFS-SH7001	CHECKED BY Ivan	DATE 2009/01/16
	REV. B	SIZE A4	@C :Inspection Item		CUSTOMER ALTW	APPROVED BY Luke	DATE 2009/01/16

X-ON Electronics

Largest Supplier of Electrical and Electronic Components

Click to view similar products for [Circular Metric Connectors](#) category:

Click to view products by [Amphenol](#) manufacturer:

Other Similar products are found below :

[600X518037X](#) [MA1EAF1200](#) [6STD15PCR99B70A](#) [8R4000A16M020](#) [8R4A00A18M020](#) [8R5000A16M005](#) [1200910008](#) [1200910011](#)
[1300140094](#) [130203-0054](#) [1300150099](#) [RF-12S1N8A90DU](#) [1-3637-600-5205](#) [1612618](#) [8R4006A16M010](#) [8R5006A18A120](#) [1604232](#)
[1R3006A20M005](#) [RF-12P1N8A80DU](#) [RF-12P1N8A90DU](#) [41-01016](#) [41-40011](#) [41-40017](#) [42-01015](#) [4-22279-4](#) [4-22281-1](#) [4-22284-9](#) [43-](#)
[00002](#) [43-01166](#) [41-40005](#) [41-40016](#) [43-00161](#) [43-01191](#) [XS3P-M421-2](#) [600X518050X](#) [SACC-DSI-FS-5P-PG9-L180 SC](#) [8R4006A16A120](#)
[8R4000A16M010](#) [RKC 50/16](#) [1R3004A20A1201](#) [6-22279-3](#) [N03FA03144](#) [1300140077](#) [XS8A-0441](#) [859RD04-103R004](#) [860RD04-113R004](#)
[860RD04-213R004](#) [860-X08-213R004](#) [1-213245-2](#) [2273142-2](#)