

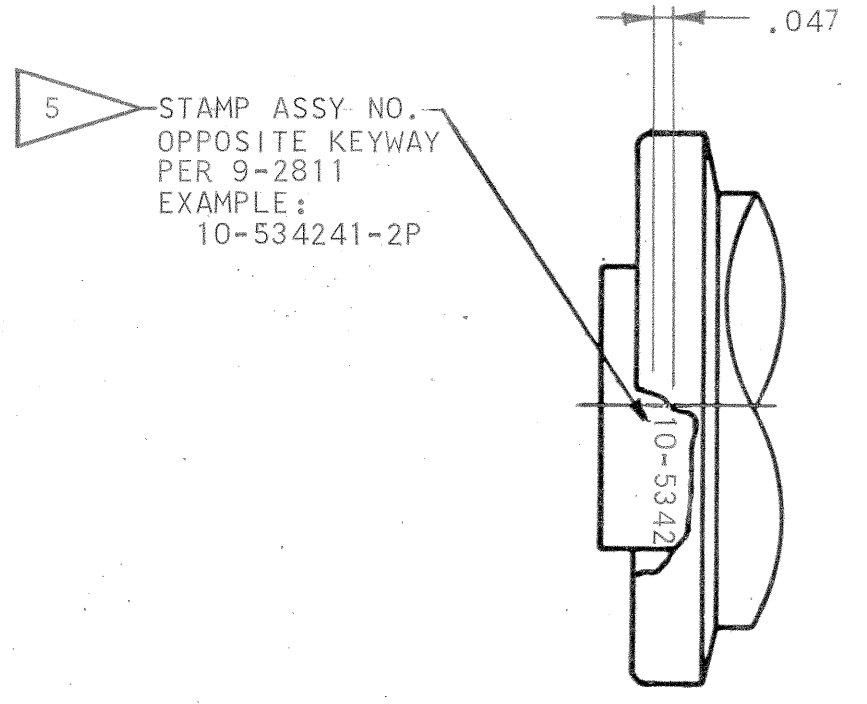
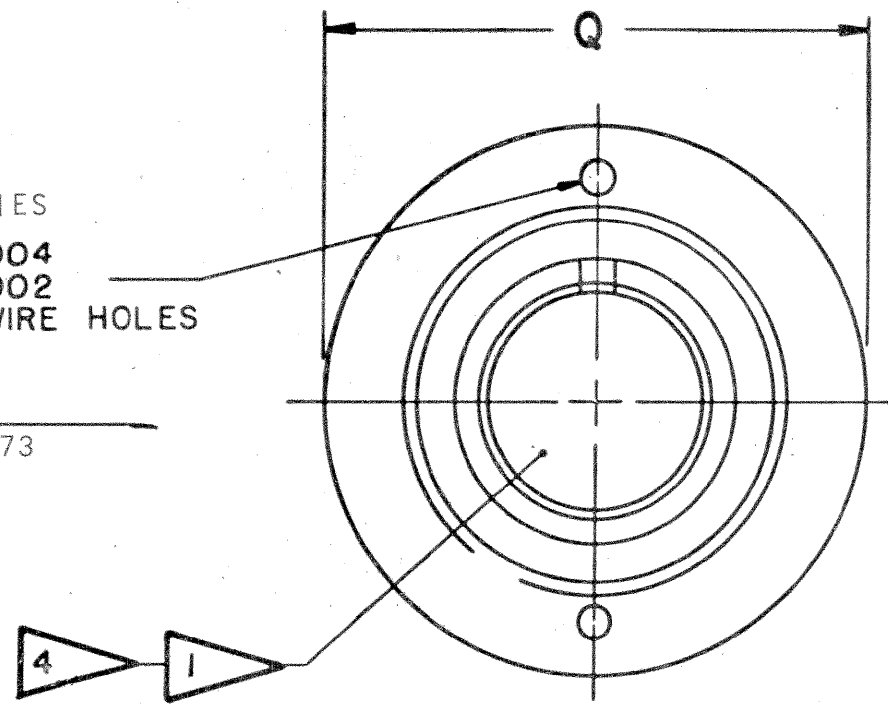
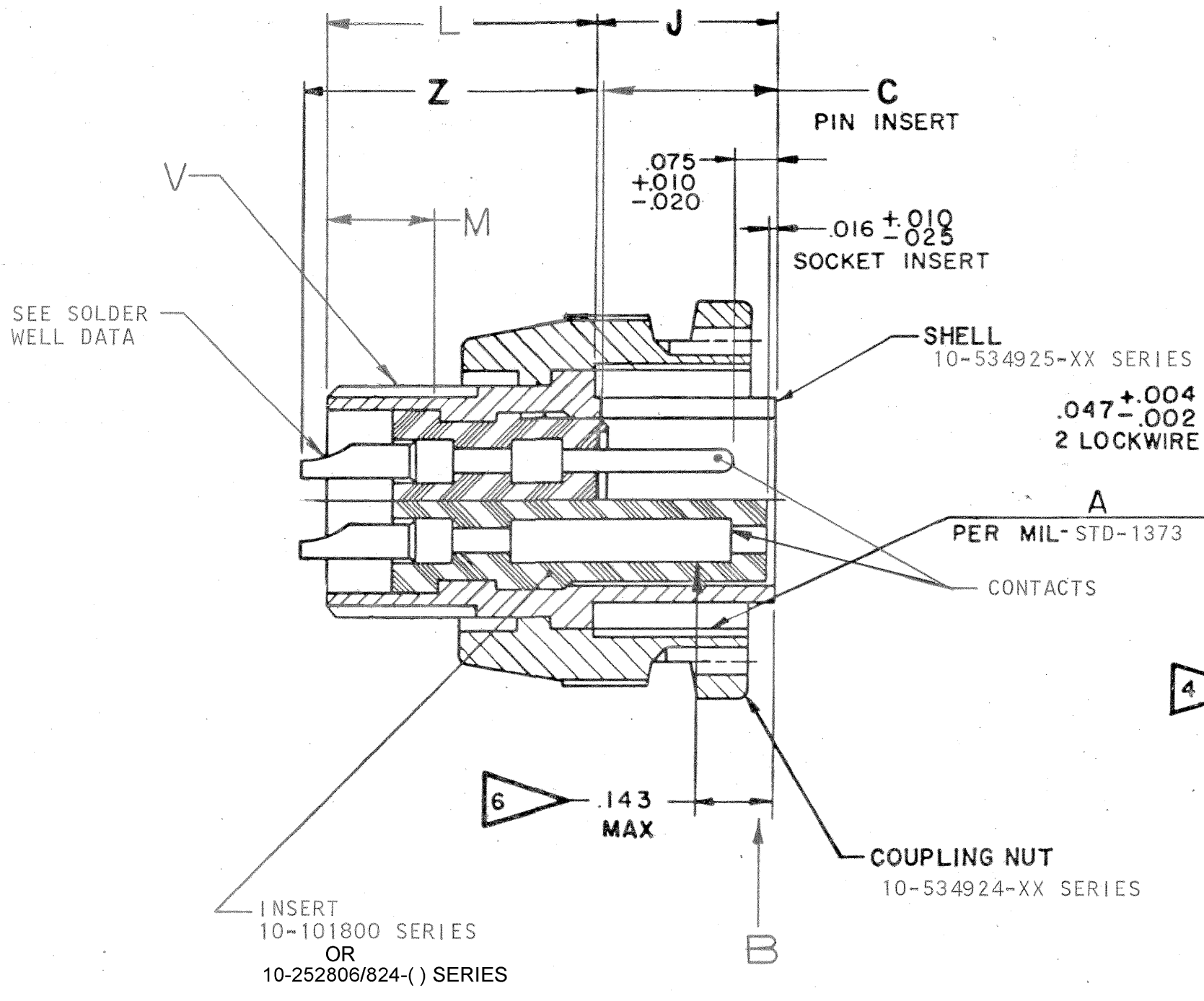
4

3

2

1

58500-45		REVISIONS		
ZONE	LTR	DESCRIPTION	DATE	APPROVED
	A			
	B	(CL II) ADDED 10-252806/824-( ) SERIES ECN: A5129	7-3-08	H.BROOKER



VIEW AT B

**ACCESSORIES**  
(NOT PART OF STANDARD ASSEMBLY)

SEE DRAWING  
10-150000

FIND NO.	QTY REQD	CODE IDENT	PART NUMBER	DESCRIPTION	NOTE REF	
<b>PARTS LIST</b>						
UNLESS OTHERWISE SPECIFIED LINEAR DIMENSIONS ARE IN INCHES. TOLERANCES: .XXX ± .010, .XX ± .03, .X ± .1, ANGLES ± 2°. OTHER STANDARDS PER 9-3800 AND MIL-D-1000. NOTE REF			SIGNATURES	DATES	The Bendix Corporation Electrical Components Division Sidney, New York  TITLE: CONNECTOR, ELECTRICAL PLUG, TYPE PC-A(J)MC, STAINLESS STEEL	
MATERIAL SPEC			PREPARED	COON		11-30-76
			CHECKED	<i>[Signature]</i>		1-3-77
PROCESS SPEC TEST 9-3353-2 ASSY 9-3443-1 9-2437-1 9-2811			APPROVED	<i>A. Harris</i>		1-3-77
			APPROVED	<i>W. W. Harrison</i>	1-3-77	
MATERIAL SPEC				SIZE	C	
PROCESS SPEC				CODE IDENT NO.	77820	
TEST				10-534240 THRU 10-534249		
ASSY				SCALE	NONE	
9-2437-1				WT	SEE PARTS LIST	
9-2811				REF	10-104506/50	
NEXT ASSEMBLY				SHEET	1 OF 2	

SEE SHEET 2  
NOTES:

USE OF THIS DOCUMENT IS UNLIMITED. DOCUMENTS REFERENCED HEREON CONTAIN LIMITED RIGHTS DATA.

10-534240/49



## X-ON Electronics

Largest Supplier of Electrical and Electronic Components

*Click to view similar products for [Standard Circular Connector](#) category:*

*Click to view products by [Amphenol](#) manufacturer:*

Other Similar products are found below :

[600273N007](#) [6134-336-13149](#) [6134-337-11149](#) [6134-337-2390](#) [6134-341-17149](#) [6280-4SG-516](#) [6280-7SG-3DC](#) [6282-2SG-315](#) [66200A-10](#)  
[67-02E12-60PX](#) [680-SMG](#) [CXS3102A181S](#) [7251-5SG-300](#) [7282-3PG-300-CH3](#) [75-190218-10P](#) [75-190611-03S](#) [75-474014-05S](#) [75-474118-](#)  
[10P](#) [75-474211-03P](#) [75-474218-19S](#) [75-474618-04P](#) [75-474618-04S](#) [75-474620-07P](#) [799539-000](#) [MI8-SE](#) [80-190222-18P](#) [805-005-07NF11-](#)  
[19PC](#) [805-005-07NF15-7PA](#) [8280-7PG-519](#) [8282-5PG-519](#) [862256-1](#) [866857-1](#) [867865-1](#) [PT08P-14-19S](#) [PT08P-14-5S](#) [PT08P-8-3S](#)  
[PTSF06SE-14-12S](#) [120-1833-000](#) [QCM019PC2DC012B](#) [121583-0217](#) [HEX40-AB-00-21-A9-1](#) [121667-0020](#) [RD10A16-19-P6CS051/1](#)  
[RD16A14-12-S6CS051/2](#) [1301240347](#) [1301790476](#) [1301240268](#) [1301240275](#) [1301860183](#) [1301860906](#)