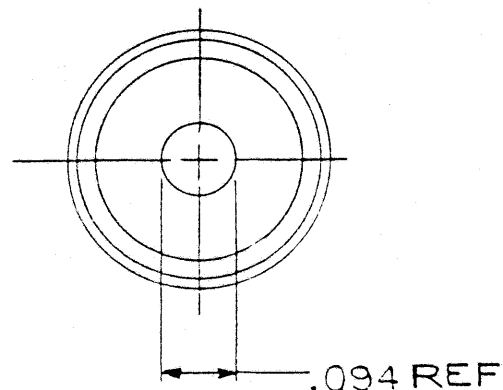
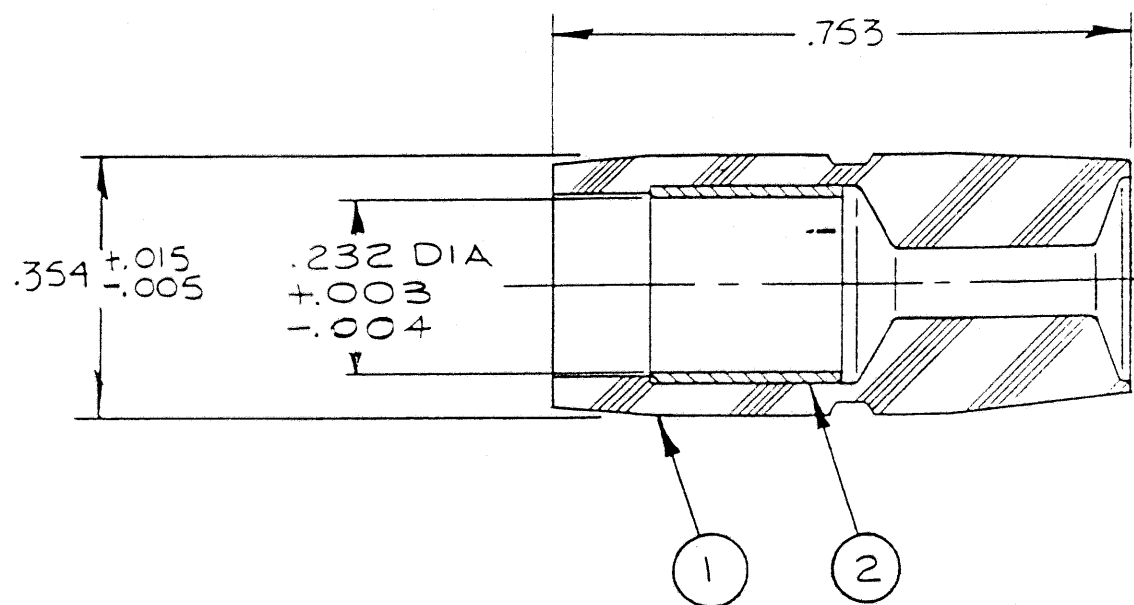


10-452952

REL NO. 48536-93		REVISIONS		
CHG NO.	SYM	DESCRIPTION	DATE	APPROVED
	A1			
48868-1	A2	ITEM 2 WAS 10-92703-34	WERTH 1/14/68	<i>Hays</i>
50583-2	A3	WAS .118 REF, INSULATOR (ITEM 1); REV TITLE; CHG PICT	5-15-69 Cable	<i>Hays</i>
74648-1	B	(CL II) ADD .753 & .354 DIM'S.; WAS LIMITED RIGHTS	10-18-83 Prescott	<i>Ford</i>



ITEM	QTY REQD	PART NUMBER	DESCRIPTION	NOTE
2	1	10-92703-342	FERRULE	
1	1	10-452951	SEAL	

PARTS LIST

DRAWING CONTROLLED BY ELECTRICAL CONNECTOR DESIGN GROUP

1. ASSEMBLE ITEM 2 INTO ITEM 1. USE OF PROPRIETARY ALCOHOL TO EASE ASSY IS PERMITTED.

NOTE:

87/88-416607/50 & OTHERS

NEXT ASSEMBLY

IMAGED / Oct 21 2003, 03:09 PM

UNLESS OTHERWISE SPECIFIED	DRAWN: WERTH	DATE: 12-12-67
LINEAR DIMENSIONS ARE IN INCHES TOLERANCES: .XXX ± .010 .XX ± .03 .X ± .1 ANGLES ± 2° OTHER STANDARDS PER 9-3800 AND MIL-STD-8. NOTE REF ◁	CHECKED: <i>Boudon</i>	DATE: 12-15-67
MATERIAL SPEC	MATERIAL:	
PROCESS SPEC	STANDARDS: <i>Boudon</i>	
	DRAFTING: <i>Prescott</i>	
	ENGINEERING: <i>Prescott</i>	

THE Bendix CORPORATION		ELECTRICAL COMPONENTS DIVISION SIDNEY, NEW YORK, U.S.A.	
SEAL, ELEC CONN, SIZE 8 COAX, ASSY OF			
SIZE B	CODE IDENT NO. 77820	10-452952	
SCALE 4/1	WT	REF	SHEET

R

X-ON Electronics

Largest Supplier of Electrical and Electronic Components

Click to view similar products for [Circular MIL Spec Tools, Hardware & Accessories](#) *category:*

Click to view products by [Amphenol](#) *manufacturer:*

Other Similar products are found below :

[0113-201-2025](#) [600-079-06](#) [600-146-06](#) [M10-101983-183](#) [M10-454396-008](#) [602GB18808](#) [CS3102A-22-14PW](#) [M2887615-CD](#) [627-009](#)
[M38999/9-19B](#) [630A007NF083A](#) [630B007M051A](#) [630BJ003NF032H](#) [637-149NF04B](#) [M39029/29-215](#) [6408-203V-09273](#) [6426-201-11343](#)
[650FS002NF16](#) [660-008NF14S7-01](#) [660-009M22H8-03](#) [660-013NF19U6-210](#) [660-015M10S6-17](#) [660-015NF10S5-01](#) [660-015NF14R3.5-01](#)
[660-023NF19H6-19](#) [660-024NF11S12-01](#) [660-024NF11S3-01](#) [660-024NF17S4-109](#) [660-050XM17F4-01](#) [660-068NF25R6-30G](#) [660-](#)
[070M23S8-04](#) [660-073MTCH9-20](#) [M83723/61-18W](#) [M83723/61-218R](#) [M83723/61-224W](#) [667-084-23C](#) [667-084-35C](#) [667-224NF16](#) [687-](#)
[697NF-1](#) [M85049/94-10-A](#) [M85049/96-7-A](#) [M855282-10A01A](#) [M85528/2-10B](#) [M855282-18A01A](#) [M85528/2-22A01A](#) [M85528/2-22AA](#)
[710HS460NF2508](#) [780-001-22G12-SK](#) [780-002-19G12-SK](#) [780-002-20G12SK](#)