

10-565995-600 DOCUMENT NO. SHEET 1 OF 1 REV. B

4

3

2

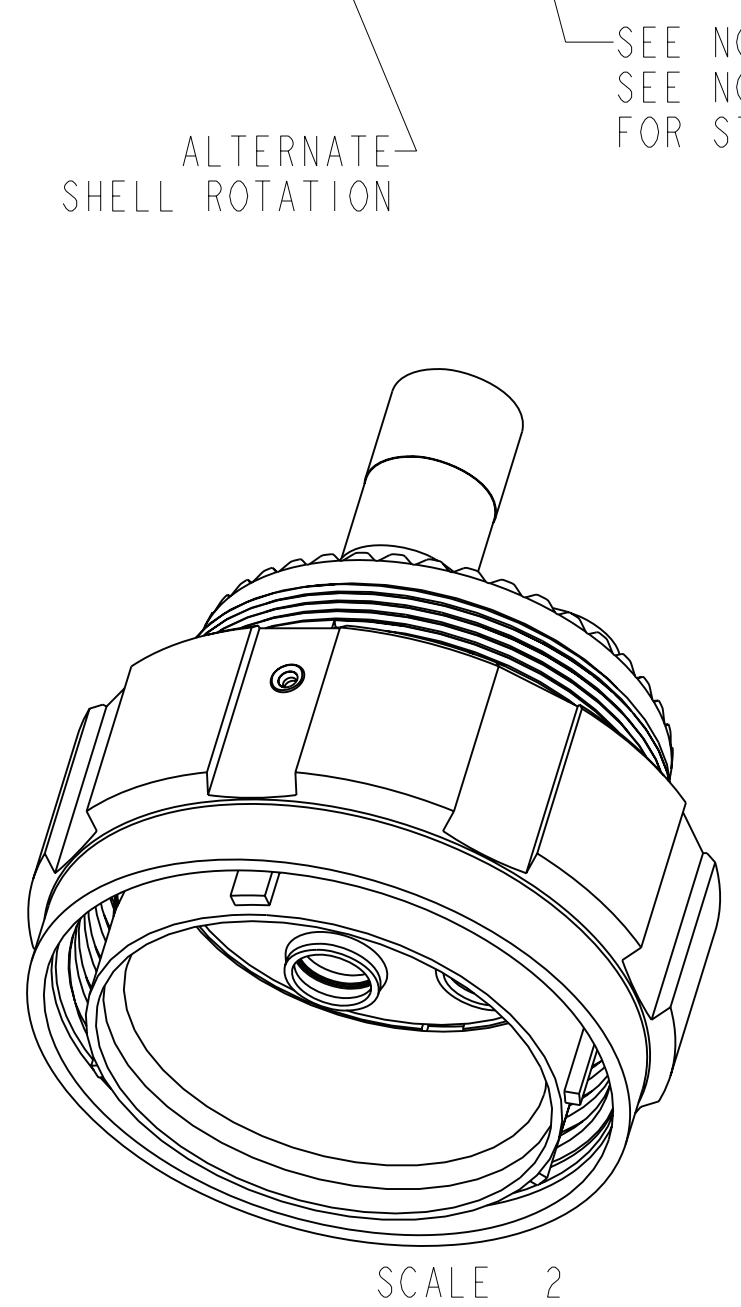
S07-118

REV. B SHEET 1 OF 1 10-565995-600

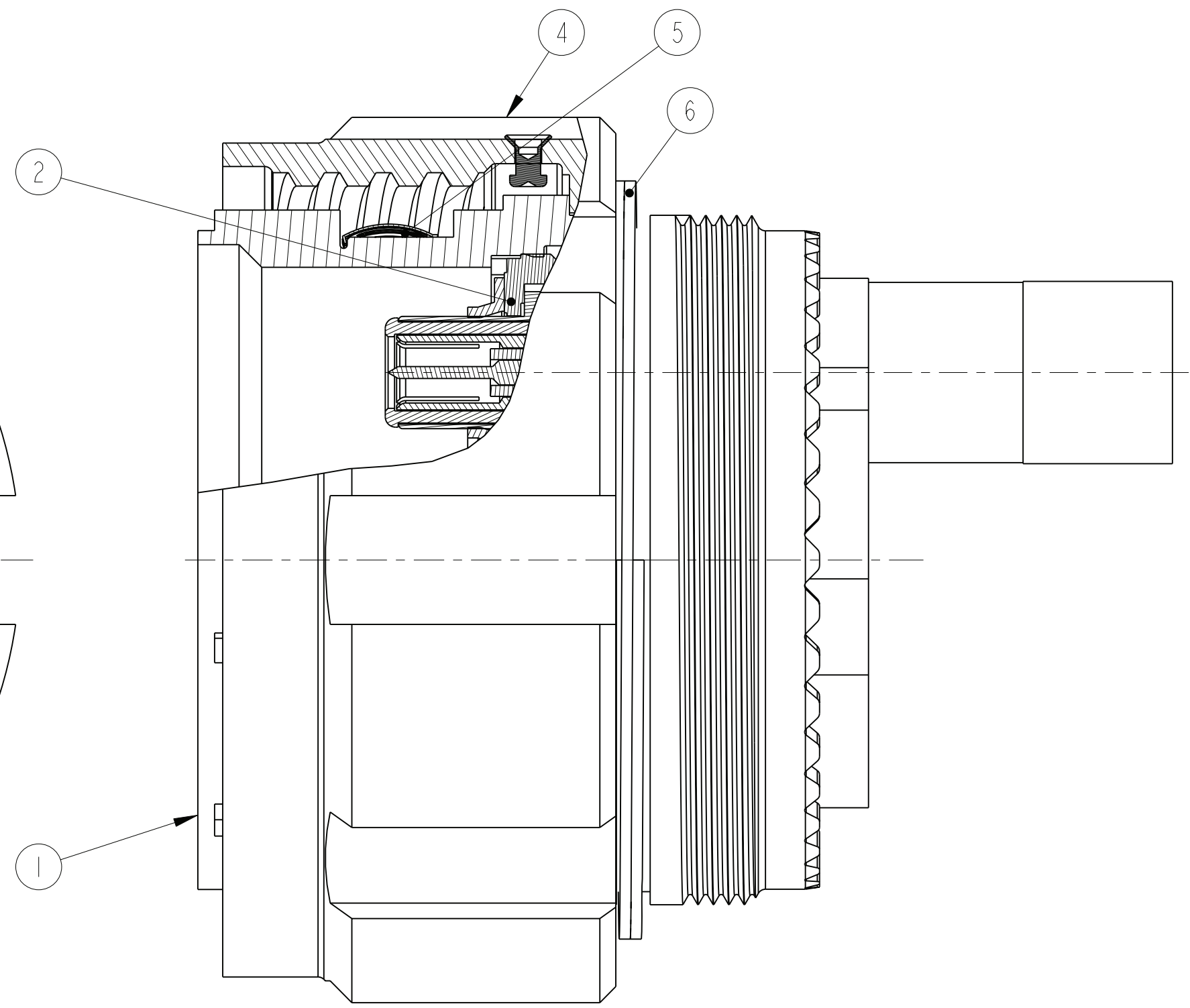
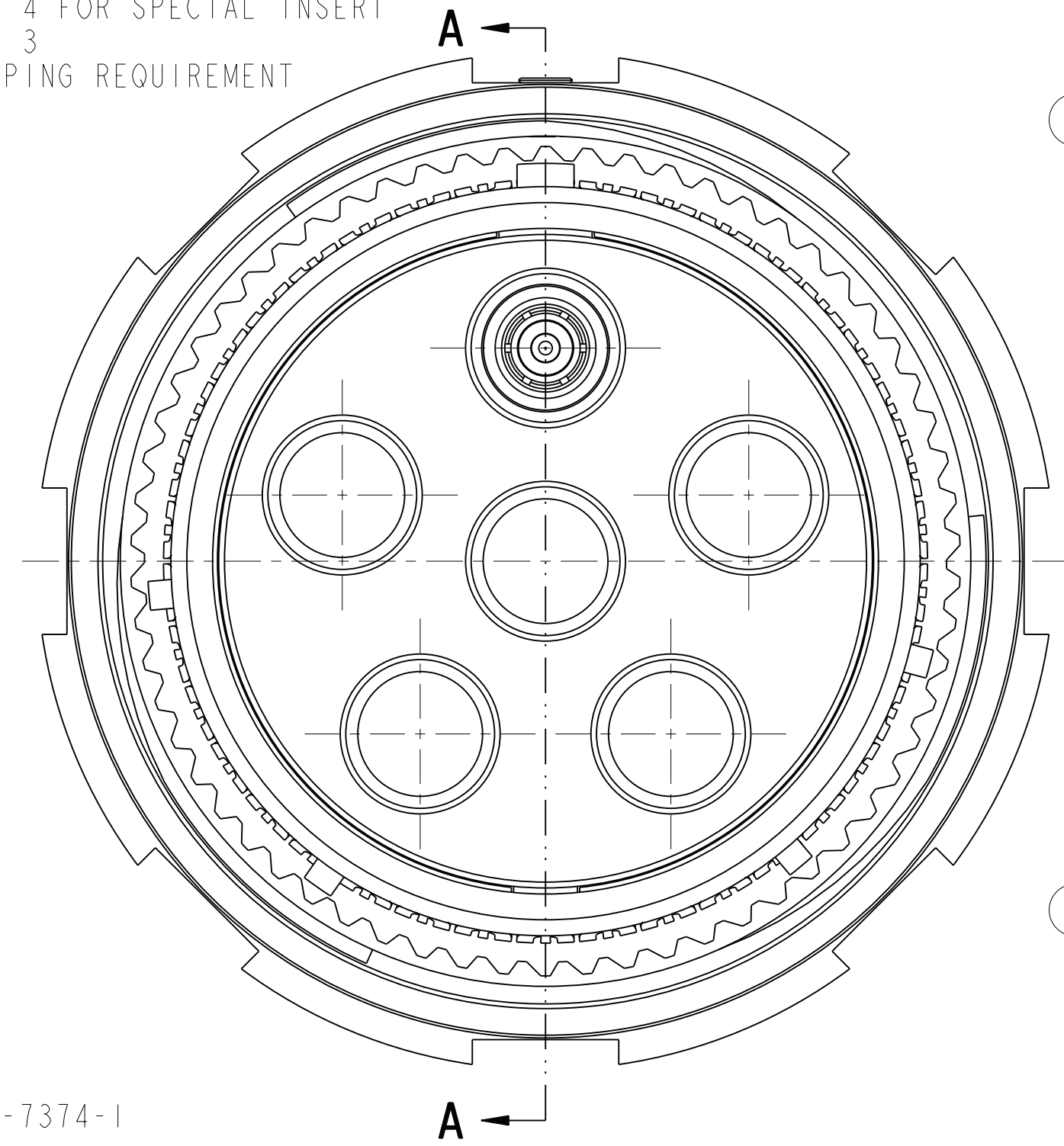
KIT PART NUMBER	CONNECTOR REF. PART NUMBER	KIT TYPE	CONTACT PART NUMBER	QTY.	TV REF NUMBER
10-565995-600N	DN-552648-6P	I	21-033190-071	6	TV06DN-23-6P
10-565995-600A	DN-552648-6G				TV06DN-23-6PA
10-565995-600B	DN-552648-6I				TV06DN-23-6PB
10-565995-600C	DN-552648-6K				TV06DN-23-6PC
10-565995-600D	DN-552648-6M				TV06DN-23-6PD
10-565995-600E	DN-552648-6R				TV06DN-23-6PE

REVISIONS		
LTR	DESCRIPTION	DATE
A	INITIAL RELEASE	
B	(CL I)SEE CHG NOTICE ECN: A5569	1-16-09 JONES

FOR UNIT ILLUSTRATION AND DIMENSIONAL DATA SEE 10-536194-DS TYPE I



SEE NOTE 4 FOR SPECIAL INSERT
SEE NOTE 3 FOR STAMPING REQUIREMENT



SECTION A-A

- PROCESS SPEC:
ASSEMBLY 9-4407-13, 9-5047-4
TEST 9-5044
9-2437-25, 9-5788, 9-3895, 9-7374-1
- IN LIEU OF STANDARD INSERT ASSEMBLY USE TVQ()-1223-06P INSERT ASSEMBLY.
- STAMP "AMPHENOL", PART NUMBER, AND DATE CODE (9-3895), AND LOT NUMBER PER 9-5788
EXAMPLE:
AMPHENOL 10-565995-600B 0719 001000
- PACKAGE PER PRODUCTION PROCESS SHEET.
- KIT TYPE I CONTACTS/SEALING PLUGS ARE SHIPPED UNASSEMBLED.
KIT TYPE II CONTACTS SHIPPED ASSEMBLED IN CONNECTOR.

NOTES:
THE USE OF THIS DOCUMENT IS UNLIMITED. HOWEVER, DOCUMENTS REFERENCED HEREON MAY CONTAIN LIMITED RIGHTS DATA.

PRO/ENGINEER INFORMATION	
N/A	Pro/e Model Used: 10-565995-415.ASSEM
N/A	Drawing Name: 10-565995-600
NEXT ASSEMBLY	

UNLESS OTHERWISE SPECIFIED

SPECIFICATIONS

LINER DIMENSIONS ARE IN INCHES
TOLERANCES:
.XXXX = ±.0005 ANGLES= ±2°
.XXX = ±.010
.XX = ±.03
.X = ±.1

DIM. & TOL. PER ASME Y14.5M;
DRM PER MIL-DTL-31000;
OTHER Amphenol Sds. PER 9-3800

LEGENDS:
= FLAG NOTE CALL OUT REFERENCE ONLY

MATERIAL SPEC. N/A

PROCESS SPEC. SEE NOTES 3, 5

POS	QTY	PART NUMBER	DESCRIPTION	NOTE
6	1	10-483953-134	SNAP RING	
5	1	10-442297-238	EMI BAND	
4	1	F5-552934-023	COUPLING NUT	
3		SEE COLUMN	CONTACT	
2	1	TVQF-1223-06P OR TVQT-1223-06P	INSERT, PIN	4
1	1	F5-538762/767-023	SHELL	

APPROVALS

PREPARED BY	D. ALGER	DATE	
ENGINEER IN CHARGE	D. FREAR	7-MAY-07	
DESIGN MANAGER	E. SHEPLER		
DESIGN ACTIVITY GROUP	MILAERO		

THIRD ANGLE PROJECTION

AMPHENOL CORPORATION
40-60 DELAWARE AVENUE
SIDNEY, N.Y. 13838

KIT CONNECTOR, TYPE TV06DN-23-6P(), SPECIAL

SIZE	CAGE CODE	DOCUMENT NO.	REV.
C	77820	10-565995-600	B

SCALE: 4.0 REF: 91-552640/649 SHEET 1 OF 1

10-565995-600 DOCUMENT NO. SHEET 1 OF 1 REV. B

X-ON Electronics

Largest Supplier of Electrical and Electronic Components

Click to view similar products for [Circular MIL Spec Contacts](#) category:

Click to view products by [Amphenol](#) manufacturer:

Other Similar products are found below :

[006-1189-20](#) [M39029/106-616](#) [71-VEAM](#) [809-023](#) [809-111](#) [811393-000](#) [850-014](#) [97-45-1418P-5\(920\)](#) [97-45-1418S-4](#) [D-602-0106CS076](#)
[AIC12-14P](#) [AIC16-16PG](#) [AIC8-12P](#) [AIC8-8SG](#) [AIC8-8SRAD](#) [1495044-1](#) [BACC47CP2T](#) [BACC47CP3S](#) [BACC47DP4](#) [BACC47GC1A](#)
[BACC47GN1](#) [16968/2C](#) [173-900245-91](#) [241611N001](#) [2560-220-2031](#) [27915-38T9](#) [27964-38T112](#) [2M809-118](#) [97-67-36-20](#) [AIC12-16P](#)
[AIC16-14SG](#) [AIC16-18PG](#) [AIC16-18S](#) [AIC16-20PG](#) [AIC4-4PG](#) [CE102S-18](#) [M39029/30-221](#) [M39029/77-430](#) [416-2020-088I](#) [MDM-](#)
[21SH003B-F222](#) [BA-4120-50LD](#) [BACC47CN2](#) [BACC47GC3A](#) [BACC47GD3A](#) [BACC47GM1](#) [52G137 REV A](#) [CB2-18-21PS](#) [D-602-](#)
[1116CS2727](#) [D-602-1117CS2727](#) [419-2082-102](#)