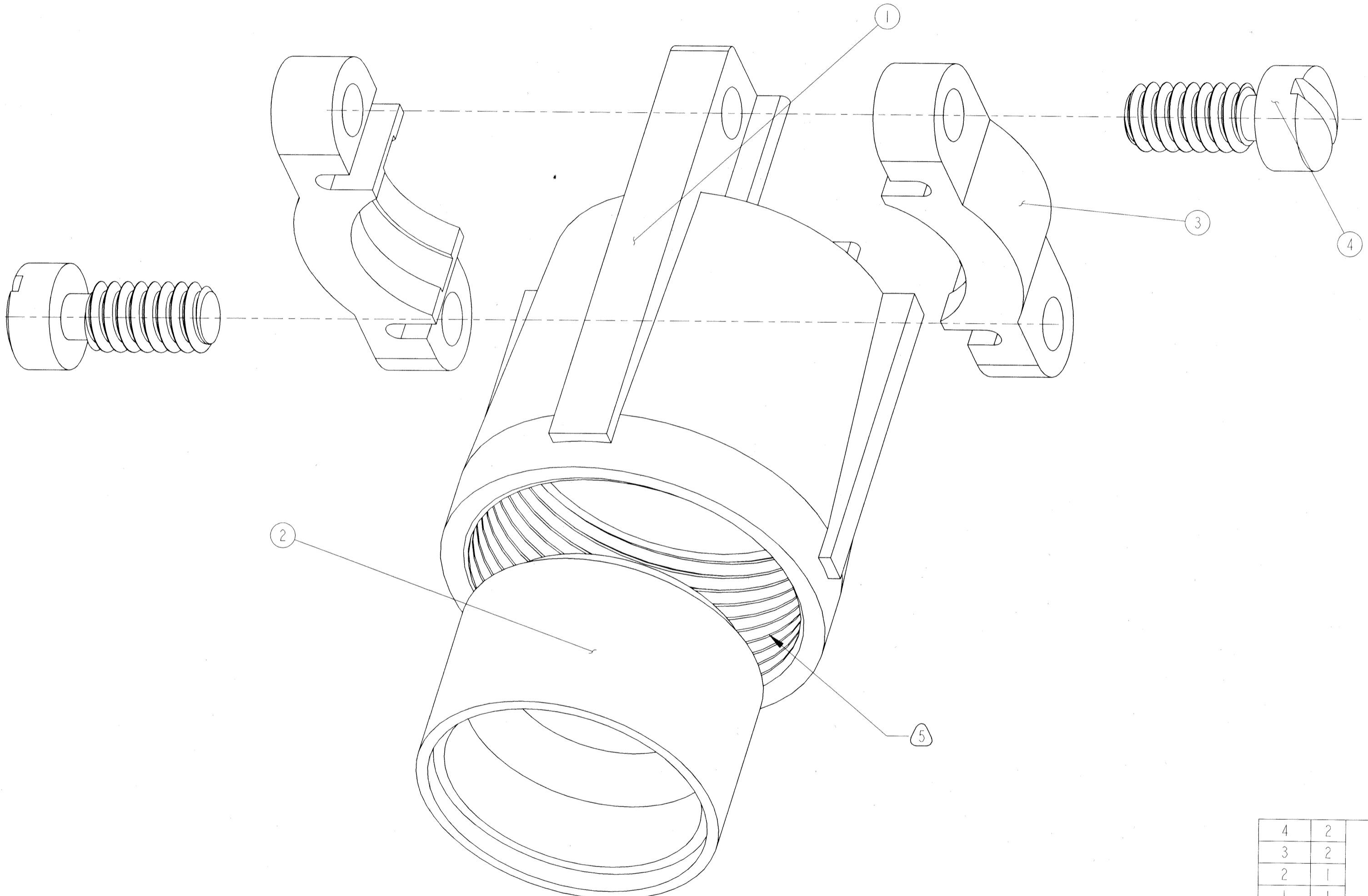


REVISIONS			
LTR	DESCRIPTION	DATE	APPVD
A	INITIAL RELEASE NUM: 70097-412		
B	(CL 11) REMOVE Z PLATING DATA, ADDED X PLATING DATA ECN: 89224	J BORDEAU 3/1/01	



SEE SHEET 2.

NOTES:

THE USE OF THIS DOCUMENT IS UNLIMITED. HOWEVER, DOCUMENTS REFERENCED HEREON MAY CONTAIN LIMITED RIGHTS DATA.

COMPANY ID: 9	CODED/MS/CUST: N	MS3100F( )
INTERNAL: Y	LOT NO: N	& OTHERS
DATE CODE: 9-3895	SEE DRAW: N	
STAMPING DATA		NEXT ASSEMBLY

UNLESS OTHERWISE SPECIFIED	SPECIFICATIONS	POS	QTY	PART NUMBER	DESCRIPTION	NOTE
LINEAR DIMENSIONS ARE IN INCHES TOLERANCES: .XXXX = ±.0005 .XXX = ±.010 .XX = ±.03 .X = ±.1 ANGLES = ±2° OTHER STANDARDS PER 9-3800 AND DOD-D-1000 THIRD ANGLE PROJECTION	MATERIAL SPEC.	4	2	SEE NOTE 1	SCREW	
	N/A	3	2		CLAMP BAR	
	PROCESS SPEC.	2	1		SLEEVE, COMPRESSION	
	9-3031, 9-3895	1	1		BACKSHELL	
PARTS LIST <b>AMPHENOL CORPORATION</b> <small>SIDNEY, N.Y. 13838</small> <b>E / F CLASS ADAPTER KIT FOR MIL-C-5015</b>						
APPROVALS PREPARED: OLESIK CHECKED: G. OLESIK MATERIAL: APPROVED: G. OLESIK		DATE 11-NOV-97 11/11/97 11/11/97		DOCUMENT NO. <b>10-584180/199</b>		
APPROVED: G. OLESIK		SIZE: <b>C</b> FSCM NO.: <b>77820</b>		REF: N/A		REV. <b>B</b>
PROF/ENG INFORMATION 10-584180_199.ASSEM 10-584180_199		SCALE: none		SHEET 1 OF 2		

AMPHENOL PART NUMBER	SIZE
10-584180-08( )	8S
10-584181-10( )	10S
10-584182-11( )	10SL, 12S, 12
10-584185-14( )	14S, 14
10-584187-16( )	16S
10-584188-17( )	16
10-584189-18( )	18
10-584190-20( )	20
10-584191-22( )	22
10-584192-24( )	24
10-584193-28( )	28
10-584194-32( )	32
10-584195-36( )	36
10-584196-40( )	40
10-584197/199-( )	44/52

4

6. IDENTIFY PACKAGING WITH AMPHENOL PART NUMBER AND DATE CODE (PER 9-3895).

EXAMPLE:  
10-584189-183 9747

5. LUBE THREADS WITH 9-3031.

4. TO COMPLETE PART NUMBER, ADD APPLICABLE LAST CHARACTER SUFFIX FOR DESIRED FINISH

FINISH	SUFFIX
CHROMATE TREAT PER 9-3350	-XX0
BRIGHT CADMIUM PLATE PER 9-2158	-XX1
BLACK ANODIZE PER 9-3487	-XX2
OLIVE DRAB CADMIUM PLATE PER 9-3047	-XX3
GREY ANODIZE PER 9-3487	-XX4
ANODIC COATING PER 9-3290	-XX5
CADMIUM PLATE, NICKEL BASE PLATE PER 9-4332	-XX7
BRIGHT NICKEL PLATE PER 9-3435	-XX8
O. D. CADMIUM PLATE, NICKEL BASE PLATE PER 9-4960	-XX9
NICKEL ALLOY PLATE PER 9-6914	-XXG
GREEN ZINC ALLOY PLATE PER 9-9263	-XXU
BLACK ZINC CONDUCTIVE ALLOY PLATE PER 9-9181-1	-XXX
BLACK ZINC ALLOY PLATE PER 9-9181	-XXY

3. PACKAGE PER PRODUCTION PROCESS SHEET.

2. SEE WORK ORDER FOR PERMISSIBLE ADDITIONAL OR ALTERNATE STAMPING.

1. SEE SEPARATE PARTS LIST FOR COMPONENT PART NUMBERS AND QUANTITIES.

**NOTES:**

THE USE OF THIS DOCUMENT IS UNLIMITED. HOWEVER, DOCUMENTS REFERENCED HEREON MAY CONTAIN LIMITED RIGHTS DATA.

SIZE <b>C</b>	FSCM NO. <b>77820</b>	DOCUMENT NO. <b>10-584180/199</b>	REV. <b>B</b>
SCALE: NONE	REF: N/A	SHEET 2 OF 2	

2 OF 2

10-584180/199

DOC NO

A

TAB.

## X-ON Electronics

Largest Supplier of Electrical and Electronic Components

*Click to view similar products for* [Circular MIL Spec Tools, Hardware & Accessories](#) *category:*

*Click to view products by* [Amphenol](#) *manufacturer:*

Other Similar products are found below :

[809-199-3](#) [001104](#) [300 04](#) [600-006-16](#) [600-079-06](#) [M10-101982-143](#) [M10-101982-163](#) [M10-101983-183](#) [M10-150912-083](#) [M10-454396-008](#) [602GB18808](#) [M225201-06](#) [M24758-20E21](#) [M2887610-BC](#) [M2887615-CD](#) [M38999/9-19B](#) [62GB-812-10](#) [630A007NF083A](#) [630B007M051A](#) [630BJ003NF032H](#) [637-149NF04B](#) [M39029/29-215](#) [650FS002NF16](#) [M81969-14-02](#) [660-008NF14S7-01](#) [660-009M22H8-03](#) [660-013NF19U6-210](#) [660-015M10S6-17](#) [660-015NF10S5-01](#) [660-015NF14R3.5-01](#) [660-023NF19H6-19](#) [660-024N09S5-104](#) [660-024NF11S12-01](#) [660-024NF11S3-01](#) [660-050XM17F4-01](#) [660-068NF25R6-30G](#) [660-070M23S8-04](#) [660-073MTCH9-20](#) [M83723/60-116RC](#) [M83723/61-18W](#) [M83723/61-218R](#) [M83723/61-224W](#) [667-224NF16](#) [M85049/118S22A](#) [M85049/126S11N](#) [M85049130-07M](#) [M85049140-09BC](#) [M85049/41-16A W/B](#) [687-697NF-1](#) [M85049/75-14-1](#) [M8504980-8](#)