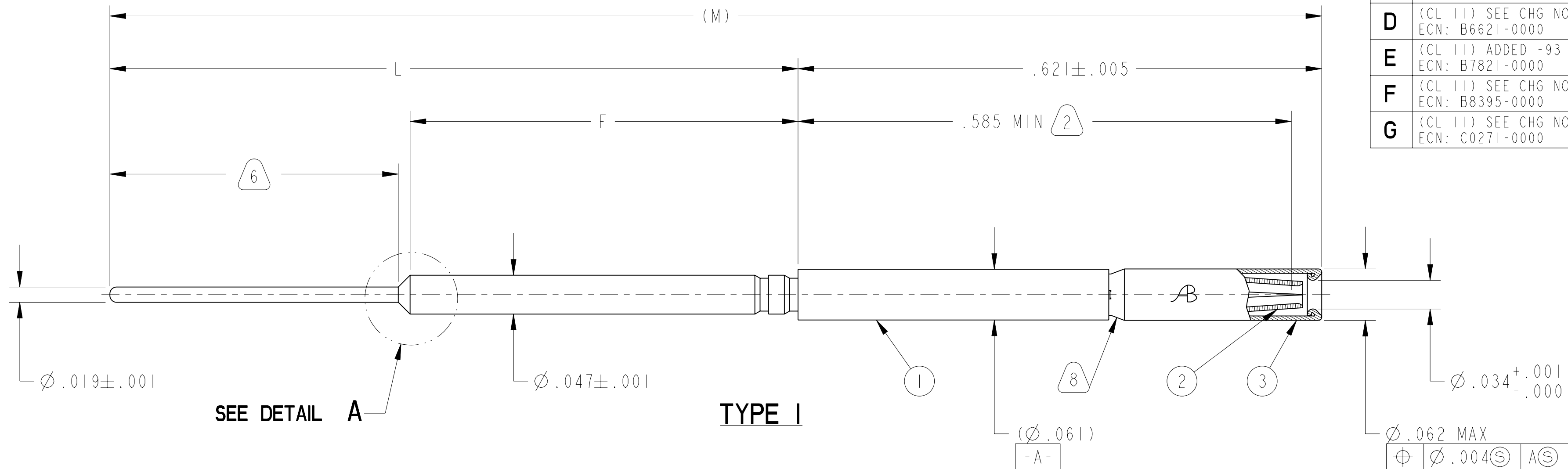


REV. G	SHEET 1 OF 4	DOCUMENT NO. 10-597878-()
REVISIONS		
LTR	DESCRIPTION	DATE
A	INITIAL RELEASE	1/25/10
B	(CL 11) SEE CHG NOTICE ECN: B1963-0000	12/12/11
C	(CL 11) SEE CHG NOTICE ECN: B5923-0000	6/14/13
D	(CL 11) SEE CHG NOTICE ECN: B6621-0000	1/22/14
E	(CL 11) ADDED -93 & -094 ECN: B7821-0000	2/26/14
F	(CL 11) SEE CHG NOTICE ECN: B8395-0000	4/30/14
G	(CL 11) SEE CHG NOTICE ECN: C0271-0000	4/18/16



SEE DETAIL A

TYPE I

⊕	∅ .004	A
---	--------	---

8 CRIMP SLEEVE AND SPRING TIGHTLY TO BODY PER 9-9383. A 15 POUND AXIAL LOAD SHALL NOT DISLODGE SPRING. SLEEVE SHALL WITHSTAND A .4 IN-OZ TORQUE WITHOUT SPINNING.

7. SPECIFIED GENERAL TOLERANCES:

⊕	∅ .005
---	--------

6 INDICATED AREA MEETS THE SOLDERABILITY REQUIREMENTS OF MIL-STD-202, METHOD 208.

5. MEETS THE APPLICABLE REQUIREMENTS OF M39029/56.

4. ALL DIMENSIONS ARE AFTER PLATING.

3. PROCESS SPEC:
 ASSY 9-9383
 TEST 9-5272-16

2 INDICATED DIMENSION TO BE FROM SHOULDER TO POINT OF ENGAGEMENT OF SPRING AND A .0300±.0002 DIAMETER SQUARE ENDED PIN.

1. A .0305+.0002-.0000 DIA HARDENED STEEL PIN SHALL ENGAGE SOCKET WITH A FORCE NOT GREATER THAN 9.5 OZ. A .0295+.0000-.0002 DIAMETER HARDENED STEEL PIN SHALL DISENGAGE SOCKET WITH A FORCE NOT LESS THAN 1.25 OZ. DEPTH OF ENGAGEMENT OF PINS SHALL BE .116 MIN. FROM FRONT OF CONTACT. PINS SHALL HAVE A SPHERICAL TIP AND A 3/ FINISH.

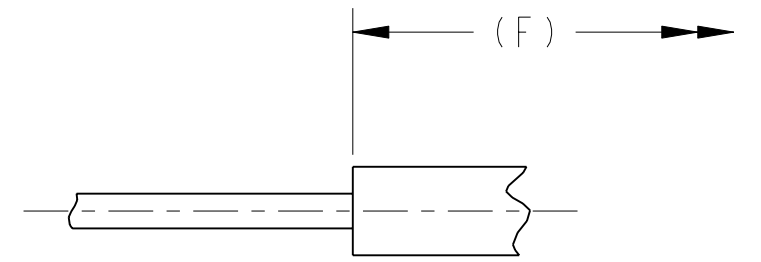
NOTES:

THE USE OF THIS DOCUMENT IS UNLIMITED. HOWEVER, DOCUMENTS REFERENCED HEREON MAY CONTAIN LIMITED RIGHTS DATA.

10. SOCKET SPRING TINES (ITEM 2) ARE GOLD PLATED PER AS39029 REQUIREMENTS.

9 TO COMPLETE PART NUMBER, ADD APPLICABLE SUFFIX DIGIT FOR CONTACT BODY FINISH

SUFFIX DIGIT	FINISH
I	GOLD 20-30 MICROINCHES
5	GOLD 9-7362-5
D	GOLD 9-7362-D



DETAIL A
 TYPE II
 SCALE 10

POS	QTY	PART NUMBER	DESCRIPTION	NOTE
3	1	10-407914-22B	SLEEVE	8
2	1	10-597871-725	SPRING	8
1	1	10-597879-()	CONTACT BODY	

APPROVALS		DATE	PARTS LIST	
PREPARED BY	HTANG	20-Feb-09	AMPHENOL CORPORATION 40-60 DELAWARE AVENUE SIDNEY, N.Y. 13858 CONTACT, SOCKET, ELECTRICAL CONNECTOR SIZE 22D, TYPE LJT-R, HYBRID, PCB	
ENGINEER IN CHARGE	LRATCHFORD			
DESIGN MANAGER	HJOHNSON			
DESIGN ACTIVITY GROUP	MIL-AER DEVELOP			
THIRD ANGLE PROJECTION		SIZE C CAGE CODE 77820 DOCUMENT NO. 10-597878-() REV. G SCALE: 10.0 REF. 10-597872-451 SHEET 1 OF 4 10-497623		

UNLESS OTHERWISE SPECIFIED	SPECIFICATIONS
LINEAR DIMENSIONS ARE IN INCHES TOLERANCES: .XXXX = ±.0005 ANGLES= ±2° .XXX = ±.010 .XX = ±.03 .X = ±.1	MATERIAL SPEC. N/A
DIM. & TOL. PER ASME Y14.5M; DRM PER MIL-DTL-31000; OTHER Amphenol Stds. PER 9-3800	PROCESS SPEC. SEE NOTE 3
LEGENDS: =FLAG NOTE CALL OUT REFERENCE ONLY	

PRO/ENGINEER INFORMATION
 Pro/e Model Used:
 10-597878.ASSEM
 Drawing Name:
 10-597878

N/A
 NEXT ASSEMBLY

DOCUMENT NO. 10-597878-() SHEET 1 OF 4 REV. G

RELEASE STATE Released REV. G SHEET 1 OF 4 DOCUMENT NO. 10-597878-()

10-597878-()

SHEET 2 OF 4

REV. G

C

B

A

ASSEMBLY NUMBER	BODY	F	L	(M)	TYPE
10-597878-01()	10-597879-01()	.460 ^{+.000} _{-.015}	.816±.005	1.439	I
10-597878-02()	10-597879-02()	1.123 ^{+.000} _{-.015}	1.393±.005	2.016	
10-597878-03()	10-597879-03()	.460 ^{+.000} _{-.015}	.873±.005	1.496	
10-597878-04()	10-597879-04()	.460 ^{+.000} _{-.015}	.733±.005	1.356	
10-597878-05()	10-597879-05()	.460 ^{+.000} _{-.015}	1.031±.005	1.654	
10-597878-06()	10-597879-06()	1.000 ^{+.000} _{-.015}	1.393±.005	2.016	
10-597878-07()	10-597879-07()	.460 ^{+.000} _{-.015}	.671±.005	1.294	
10-597878-08()	10-597879-08()	.460 ^{+.000} _{-.015}	.768±.005	1.391	
10-597878-09()	10-597879-09()	.525 ^{+.000} _{-.015}	.700±.005	1.323	
10-597878-10()	10-597879-10()	.460 ^{+.000} _{-.015}	.553±.005	1.176	
10-597878-11()	10-597879-11()	.460 ^{+.000} _{-.015}	1.091±.005	1.714	
10-597878-12()	10-597879-12()	.525 ^{+.000} _{-.015}	.665±.005	1.288	
10-597878-13()	10-597879-13()	.840±.005	1.090±.005	1.713	
10-597878-14()	10-597879-14()	.900 ^{+.000} _{-.015}	1.139 ^{+.000} _{-.015}	1.762	
10-597878-15()	10-597879-15()	.460±.005	.948±.005	1.571	

ASSEMBLY NUMBER	BODY	F	L	(M)	TYPE	
10-597878-16()	10-597879-16()	.340±.005	.453±.005	1.076	I	
10-597878-17()	10-597879-17()	1.200 ^{+.000} _{-.015}	2.392±.005	3.015		
10-597878-18()	10-597879-18()	.280 ^{+.000} _{-.015}	.585±.005	1.208		
10-597878-19()	10-597879-19()	.303±.005	.454±.003	1.077		
10-597878-20()	10-597879-20()	1.123 ^{+.000} _{-.015}	1.427±.005	2.050		
10-597878-21()	10-597879-21()	.275±.003	.477±.005	1.100		
10-597878-22()	10-597879-22()	.439±.010	.590±.005	1.213		
10-597878-23()	10-597879-23()	.485±.005	.739±.003	1.362		
10-597878-24()	10-597879-24()	.415±.007	.790±.003	1.413		
10-597878-25()	10-597879-25()	.729±.003	.953±.005	1.576		II
10-597878-26()	10-597879-26()	.486 ^{+.000} _{-.015}	1.048±.010	1.671		I
10-597878-27()	10-597879-27()	.525 ^{+.000} _{-.015}	1.102±.003	1.725		
10-597878-28()	10-597879-28()	.621±.005	.801±.005	1.424		II
10-597878-29()	10-597879-29()	.876±.005	1.073±.005	1.696		
10-597878-30()	10-597879-30()	.590±.003	.690±.002	1.313		

9

9

NOTES: SEE SHEET I

THE USE OF THIS DOCUMENT IS UNLIMITED. HOWEVER, DOCUMENTS REFERENCED HEREON MAY CONTAIN LIMITED RIGHTS DATA.

10-597878-() SHEET 2 OF 4 REV. G

RELEASE STATE Released REVISION G VERSION I

C

D

10-597878-()

SHEET 3 OF 4

REV. G

C

B

A

ASSEMBLY NUMBER	BODY	F	L	(M)	TYPE
10-597878-31()	10-597879-31()	.460 ^{+.000} _{-.015}	.783±.005	1.406	I
10-597878-32()	10-597879-32()	.804±.005	1.129±.003	1.752	
10-597878-33()	10-597879-33()	.479±.005	.754±.003	1.377	
10-597878-34()	10-597879-34()	.460±.005	1.203±.003	1.826	II
10-597878-35()	10-597879-35()	.450±.005	.880±.005	1.503	
10-597878-36()	10-597879-36()	.520±.003	.747±.005	1.370	II
10-597878-37()	10-597879-37()	.730±.003	.830±.002	1.453	
10-597878-38()	10-597879-38()	.460 ^{+.000} _{-.015}	1.017±.003	1.640	I
10-597878-39()	10-597879-39()	1.577±.005	1.687±.005	2.310	
10-597878-40()	10-597879-40()	.280 ^{+.000} _{-.015}	.782±.005	1.405	II
10-597878-41()	10-597879-41()	.588 ^{+.003} _{-.000}	.730±.003	1.353	
10-597878-42()	10-597879-42()	.623±.005	.748±.005	1.371	I
10-597878-43()	10-597879-43()	.340±.005	.460±.005	1.083	
10-597878-44()	10-597879-44()	.280 ^{+.000} _{-.015}	.782±.005	1.405	I
10-597878-45()	10-597879-45()	1.450 ^{+.000} _{-.015}	2.167±.003	2.790	
10-597878-46()	10-597879-46()	.520±.005	.833±.002	1.456	II
10-597878-47()	10-597879-47()	.600±.003	.700±.003	1.323	
10-597878-48()	10-597879-48()	.280 ^{+.000} _{-.015}	.550±.005	1.173	I
10-597878-49()	10-597879-49()	.280±.005	.805±.005	1.428	
10-597878-50()	10-597879-50()	.257±.005	.503±.005	1.126	

ASEEMBLY NUMBER	BODY	F	L	(M)	TYPE
10-597878-51()	10-597879-51()	.280 ^{+.000} _{-.015}	.715±.005	1.338	I
10-597878-52()	10-597879-52()	.580±.003	.830±.005	1.453	
10-597878-53()	10-597879-53()	.460 ^{+.000} _{-.015}	.965±.003	1.588	
10-597878-54()	10-597879-54()	.479±.005	1.054±.005	1.677	II
10-597878-55()	10-597879-55()	.750±.005	1.060±.005	1.683	
10-597878-56()	10-597879-56()	.800±.005	.986±.005	1.609	I
10-597878-57()	10-597879-57()	.280 ^{+.000} _{-.015}	.420±.003	1.043	
10-597878-58()	10-597879-58()	.637±.003	1.075±.004	1.698	II
10-597878-59()	10-597879-59()	.460 ^{+.000} _{-.015}	.850±.005	1.473	
10-597878-60()	10-597879-60()	.600±.005	.938±.005	1.561	I
10-597878-61()	10-597879-61()	.410±.003	.690±.003	1.313	
10-597878-62()	10-597879-62()	.438±.005	.754±.003	1.377	II
10-597878-63()	10-597879-63()	.280 ^{+.000} _{-.015}	.825±.005	1.448	
10-597878-64()	10-597879-64()	.590±.005	.901±.005	1.524	I
10-597878-65()	10-597879-65()	.460±.005	.915±.005	1.538	
10-597878-66()	10-597879-66()	.460±.005	.645±.003	1.268	I
10-597878-67()	10-597879-67()	.280±.005	1.015±.005	1.638	
10-597878-68()	10-597879-68()	.735±.005	1.169±.005	1.792	I
10-597878-69()	10-597879-69()	.376±.005	.995±.005	1.618	

9

9

NOTES: SEE SHEET I

THE USE OF THIS DOCUMENT IS UNLIMITED. HOWEVER, DOCUMENTS REFERENCED HEREON MAY CONTAIN LIMITED RIGHTS DATA.

SIZE C	CAGE CODE 77820	DOCUMENT NO. 10-597878-()	REV. G
SCALE: 6.0		REF: 10-597872-451	SHEET 3 OF 4

10-597878-() SHEET 3 OF 4 REV. G

RELEASE STATE Released REVISION G

C

D

10-597878-()

SHEET 4 OF 4

REV. G

C

B

A

ASSEMBLY NUMBER	BODY	F	L	(M)	TYPE
10-597878-70()	10-597879-70()	.665±.002	.921±.002	1.544	II
10-597878-71()	10-597879-71()	.460±.005	.655±.003	1.278	I
10-597878-72()	10-597879-72()	.515±.003	.830±.005	1.453	II
10-597878-73()	10-597879-73()	.455±.005	.603±.003	1.226	
10-597878-74()	10-597879-74()	.984±.005	1.215±.005	1.838	I
10-597878-75()	10-597879-75()	.279±.005	.754±.003	1.377	
10-597878-76()	10-597879-76()	.381±.005	.645±.003	1.268	II
10-597878-77()	10-597879-77()	.555±.005	.840±.005	1.463	
10-597878-78()	10-597879-78()	.690±.005	1.260±.005	1.883	I
10-597878-79()	10-597879-79()	.607±.005	.895±.005	1.518	
10-597878-80()	10-597879-80()	.685 ^{+.000} _{-.015}	.915±.003	1.538	II
10-597878-81()	10-597879-81()	.270±.005	.645±.005	1.268	I
10-597878-82()	10-597879-82()	.722±.005	.952±.003	1.575	II
10-597878-83()	10-597879-83()	.900±.005	1.365±.005	1.988	II
10-597878-84()	10-597879-84()	.447±.003	.868±.003	1.491	II
10-597878-85()	10-597879-85()	.325 ^{+.000} _{-.015}	.692±.005	1.315	I
10-597878-86()	10-597879-86()	.280 ^{+.000} _{-.015}	.675±.005	1.298	I
10-597878-87()	10-597879-87()	.710±.003	.910±.005	1.533	II
10-597878-88()	10-597879-88()	.280 ^{+.000} _{-.015}	.465±.003	1.088	I
10-597878-89()	10-597879-89()	.732±.005	.950±.005	1.573	I

ASSEMBLY NUMBER	BODY	F	L	(M)	TYPE
10-597878-90()	10-597879-90()	.280 ^{+.000} _{-.015}	.530±.003	1.153	I
10-597878-91()	10-597879-91()	.608±.005	.978±.005	1.601	I
10-597878-92()	10-597879-92()	.280 ^{+.000} _{-.015}	.612±.003	1.235	I
10-597878-93()	10-597879-93()	.460 ^{+.000} _{-.015}	.845±.005	1.468	I
10-597878-94()	10-597879-94()	.280±.005	.627±.003	1.250	I
10-597878-95()	10-597879-95()	.460 ^{+.000} _{-.015}	.895±.005	1.518	I
10-597878-96()	10-597879-96()	.410±.003	.698±.003	1.319	I
10-597878-97()	10-597879-97()	.415±.007	.795±.003	1.416	I
10-597878-98()	10-597879-98()	.275±.003	.568±.005	1.189	I
10-597878-99()	10-597879-99()	.735±.005	1.067±.005	1.688	I
10-597878-100()	10-597879-100()	.415±.007	.900±.003	1.521	I
10-597878-101()	10-597879-101()	.486 ^{+.000} _{-.015}	1.142±.005	1.763	I
10-597878-102()	10-597879-102()	.280 ^{+.000} _{-.015}	.660±.002	1.281	I
10-597878-103()	10-597879-103()	.460 ^{+.000} _{-.015}	1.000±.005	1.621	I

D

C

VISION

REV. G

Eng. PDM Information For Reference Only

REV. G

SHEET 4 OF 4

10-597878-()

NOTES: SEE SHEET 1

THE USE OF THIS DOCUMENT IS UNLIMITED. HOWEVER, DOCUMENTS REFERENCED HEREON MAY CONTAIN LIMITED RIGHTS DATA.

X-ON Electronics

Largest Supplier of Electrical and Electronic Components

Click to view similar products for [Circular MIL Spec Contacts](#) category:

Click to view products by [Amphenol](#) manufacturer:

Other Similar products are found below :

[006-0984-20](#) [006-1186-20](#) [601101N004](#) [CT0E20-22SS](#) [CT1N20-23SS](#) [CT2-36-10PCAU](#) [CT6F36-10PCA152](#) [M39029/106-616](#) [M39029/18-179](#) [M39029/30-222](#) [M39029/31-235](#) [M39029/48-318](#) [M39029/73-397](#) [M39029/9-133](#) [M39029/9-134](#) [M5000-054-0020L](#) [M5100-057-2162](#) [809-023](#) [809-111](#) [811393-000](#) [850-014](#) [FRCIR01-20-4S-F80-VO](#) [900062-6-8L](#) [97-45-1418P-5\(920\)](#) [97-45-1418S-4](#) [97-45-1622P-5](#) [97-45-1622S-4\(920\)](#) [97-45-1622S-5](#) [97-55-1622S-5](#) [D-602-0104CS076](#) [D-602-0106CS076](#) [AIC12-10P](#) [AIC12-12SG](#) [AIC12-14P](#) [AIC16-16PG](#) [AIC16-2024SG](#) [AIC16S-16PG](#) [AIC8-12P](#) [AIC8-12S](#) [AIC8-8SG](#) [AIC8-8SRAD](#) [1495044-1](#) [BA-4016-50LD](#) [162GB-149-20000-05](#) [BACC47CP2T](#) [BACC47DP4](#) [BACC47GC1A](#) [BACC47GN1](#) [173-900245-91](#) [CA02R28-12PA152F80](#)