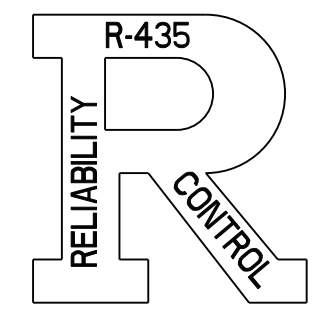
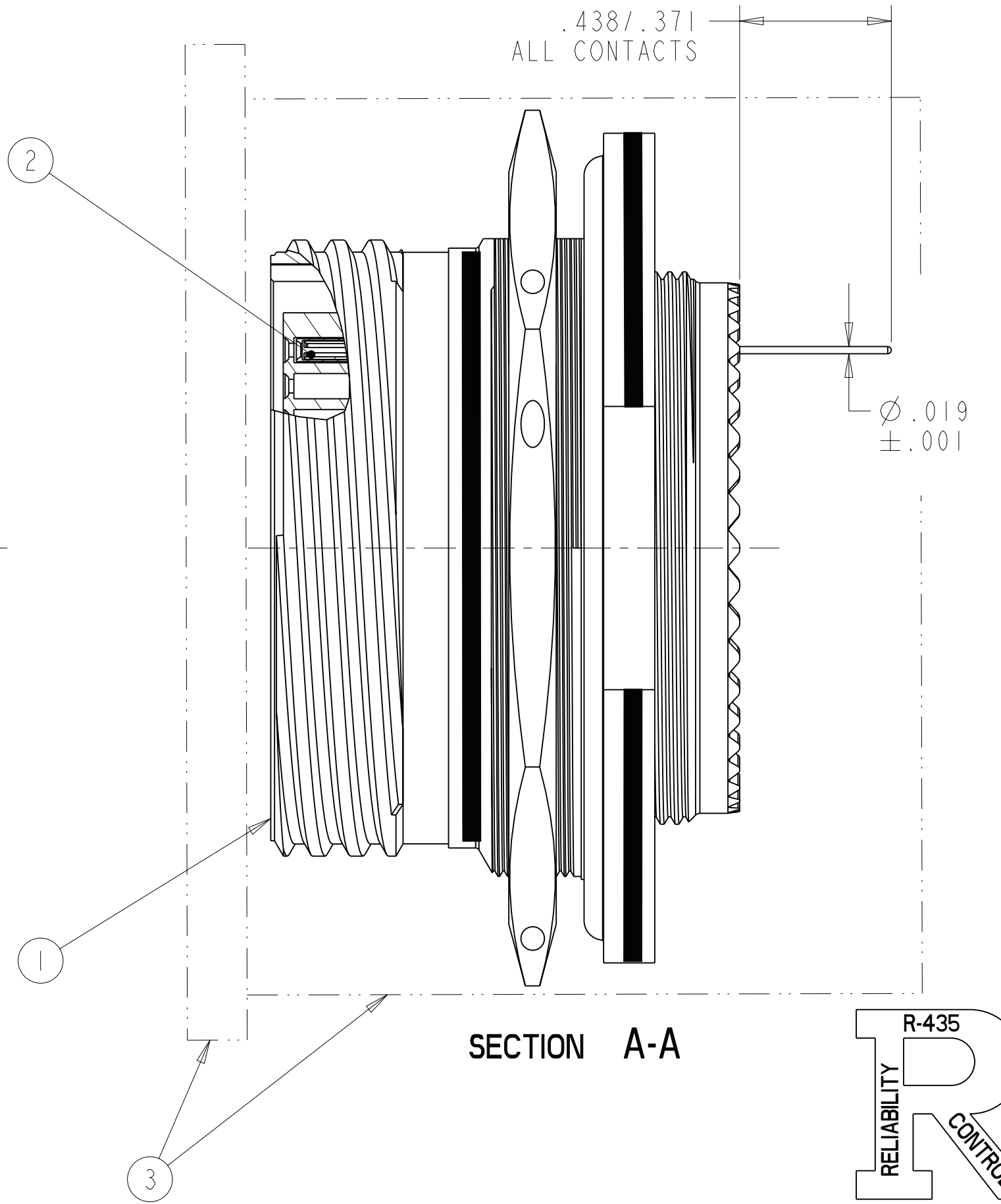
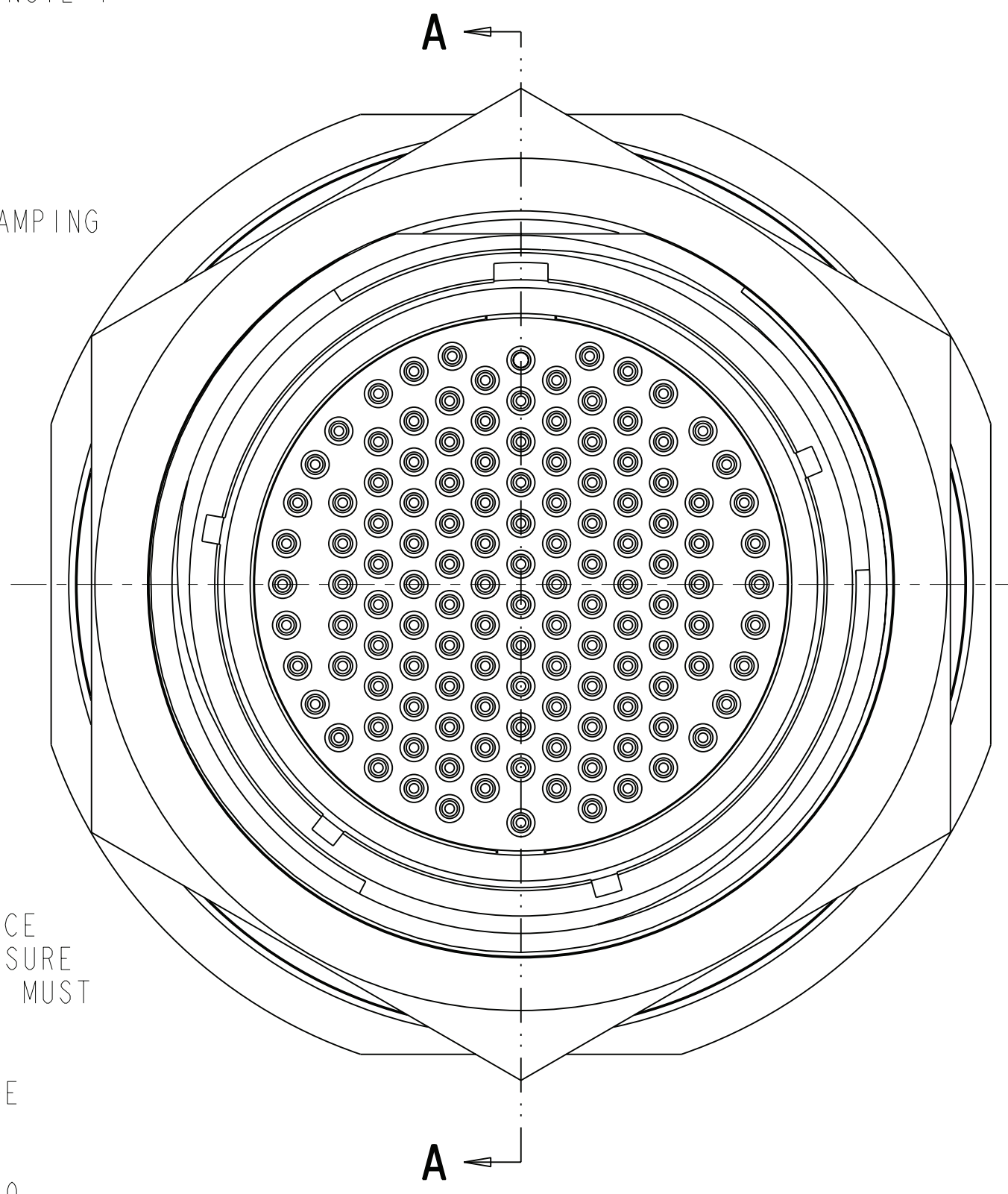
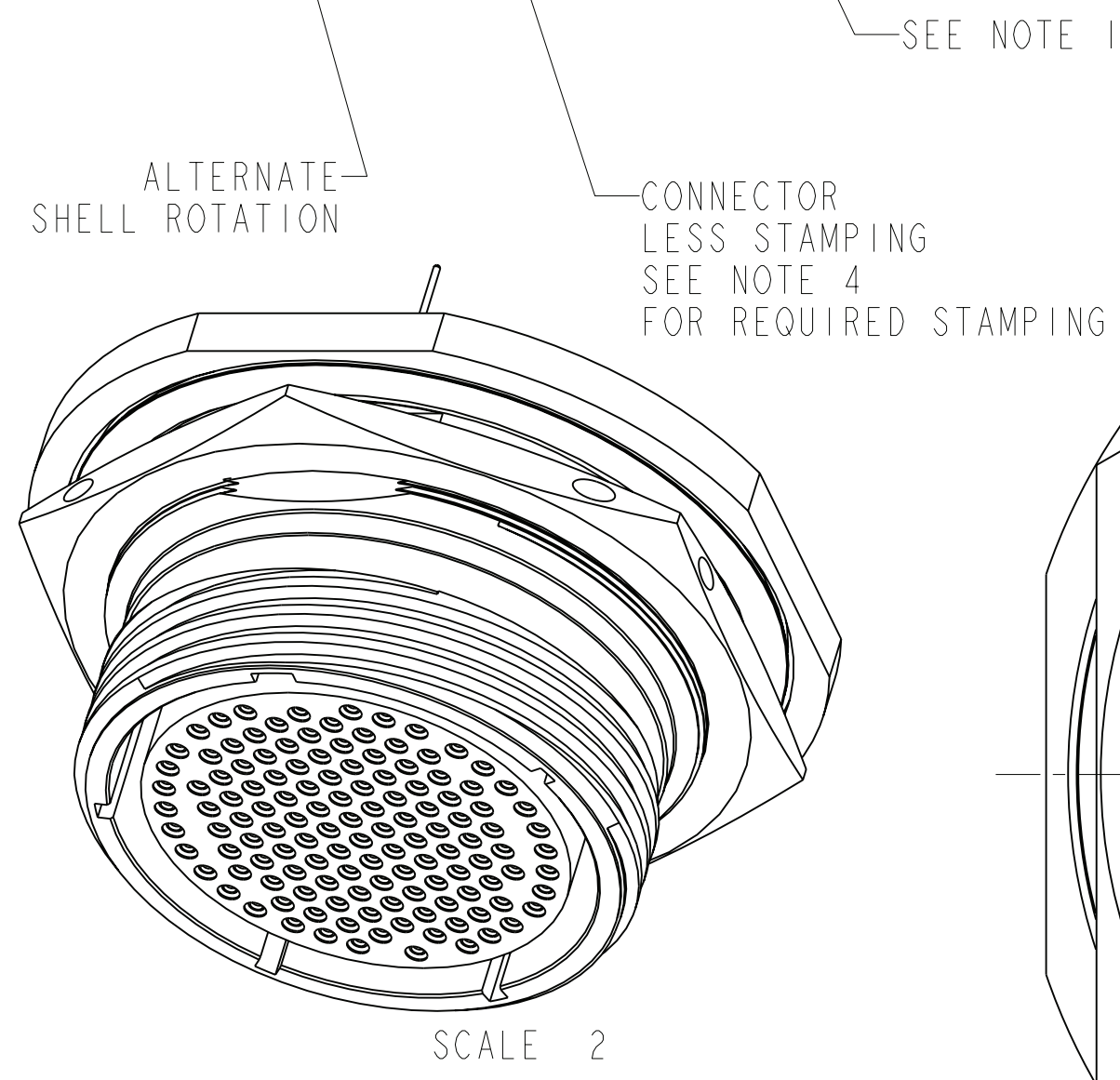


10-660977-21
 SHEET 1 OF 1
 REV. A
 C
 B
 A

REV. A	SHEET 1 OF 1	DOCUMENT NO. 10-660977-21
REVISIONS		
LTR	DESCRIPTION	DATE
A	INITIAL RELEASE	

KIT PART NUMBER	CONNECTOR PART NUMBER	KIT TYPE	PCB CONTACT PART NUMBER	CONTACTS QTY.	MS REF NUMBER	CAP/CONTAINER
10-660977-21N	88-565759-35S	II	10-497623-155	128	D38999/24WJ35BN	10-576238-002 10-576237-002
10-660977-21A	88-565759-35H				D38999/24WJ35BA	
10-660977-21B	88-565759-35J				D38999/24WJ35BB	
10-660977-21C	88-565759-35L				D38999/24WJ35BC	
10-660977-21D	88-565759-35N				D38999/24WJ35BD	
10-660977-21E	88-565759-35T				D38999/24WJ35BE	

**FOR UNIT ILLUSTRATION AND DIMENSIONAL DATA
SEE 10-536197-DS TYPE I**



5. AFTER CONTACTS HAVE BEEN INSTALLED, PLACE CONNECTOR INTO CONTAINER AND CAP. TO INSURE CAP LOCATION APPLY TAPE IF NEEDED. CARE MUST BE TAKEN NOT TO BEND THE CONTACTS.
4. STAMP "AMPHENOL", PART NUMBER, DATE CODE (9-3895), AND LOT NUMBER PER 9-5788
EXAMPLE:
AMPHENOL 10-660977-21B 0945 09001000
3. PROCESS SPEC:
PROCESS SHEET CONTROL 9-4796
SPECIAL CONTROL 9-6000-2
9-3895, 9-5788
2. PACKAGE PER PRODUCTION PROCESS SHEET.
1. KIT TYPE I CONTACTS ARE SHIPPED UNASSEMBLED. KIT TYPE II CONTACTS ARE SHIPPED ASSEMBLED IN CONNECTOR.

NOTES:
THE USE OF THIS DOCUMENT IS UNLIMITED. HOWEVER, DOCUMENTS REFERENCED HEREON MAY CONTAIN LIMITED RIGHTS DATA.

N/A	PRO/ENGINEER INFORMATION
N/A	Pro/e Model Used: 10-565997-542.ASSEM
	Drawing Name: 10-660977-21

UNLESS OTHERWISE SPECIFIED
 LINEAR DIMENSIONS ARE IN INCHES
 TOLERANCES:
 .XXXX = ±.0005 ANGLES= ±2°
 .XXX = ±.010
 .XX = ±.03
 .X = ±.1
 DIM. & TOL. PER ASME Y14.5M;
 DRM PER MIL-DTL-31000;
 OTHER Amphenol Sids. PER 9-3800
 LEGENDS:
 = FLAG NOTE CALL OUT REFERENCE ONLY

SPECIFICATIONS
 MATERIAL SPEC.
 N/A
 PROCESS SPEC.
 SEE NOTE 3

3	I	SEE TABLE	CAP/CONTAINER	5
2		SEE TABLE	CONTACT	
I	I	SEE TABLE	CONNECTOR	
POS	QTY	PART NUMBER	DESCRIPTION	NOTE

APPROVALS		DATE
PREPARED BY	D. ALGER	7-NOV-09
ENGINEER IN CHARGE	D. FREAR	
DESIGN MANAGER	E. SHEPLER	
DESIGN ACTIVITY GROUP	MILAERO	
THIRD ANGLE PROJECTION		

PARTS LIST			
AMPHENOL CORPORATION			
40-60 DELAWARE AVENUE SIDNEY, N.Y. 13838			
KIT, CONNECTOR, TYPE MS TV-AB STAMPING D38999/24WJ35B(), PCB CONTACT			
SIZE C	CAGE CODE 77820	DOCUMENT NO. 10-660977-21	REV. A
SCALE: 3.0		REF: 88-565750/759	SHEET 1 OF 1

DOCUMENT NO. 10-660977-21
 SHEET 1 OF 1
 REV. A

X-ON Electronics

Largest Supplier of Electrical and Electronic Components

Click to view similar products for [Circular MIL Spec Connector](#) category:

Click to view products by [Amphenol](#) manufacturer:

Other Similar products are found below :

[89075GULPR](#) [0025-262-542](#) [0025-264-3014](#) [58-570121-04S](#) [0134-213-1208](#) [0134-213-2209](#) [0025-258-000](#) [60-042022-07P](#) [60-042022-19P](#)
[60-042022-23P](#) [60-042217-10P](#) [0114-201-1278](#) [012-0467-000](#) [602GB06EG24-61SN](#) [0134-201-1207](#) [0134-213-1006](#) [6104-207-2302](#) [6104-](#)
[208-1902](#) [61-168211-04P](#) [61-168617-10P](#) [6131-202-19149P](#) [6131-204-21149P](#) [6131-208-13149P](#) [6131-209-17149P](#) [6131-210-11149P](#) [6131-](#)
[211-19149P](#) [6131-216-19149P](#) [6131-259-21149P](#) [6131-259-23149P](#) [6131-265-17149P](#) [6131-265-19149P](#) [CS3100A18-1P-472](#) [CS3100A-36-](#)
[77P](#) [CS3101A-16-55P](#) [CS3102A-10SL-55P](#) [CS3102A-14S-58P](#) [CS3102A-32-17P](#) [CS3102A32-25S](#) [CS3102C18-4P-472](#)
[CS3106A10SL3S004](#) [CS3106A-18-73S](#) [CS3108A-14S-52S](#) [CS3108A-28-51S](#) [6162-233-1277](#) [6162-324-1231](#) [M243082296Z](#)
[M2884010AC1S1](#) [CT0-24-10SC](#) [CT0M20-7PCAU](#) [M28840/17AC1G3](#)