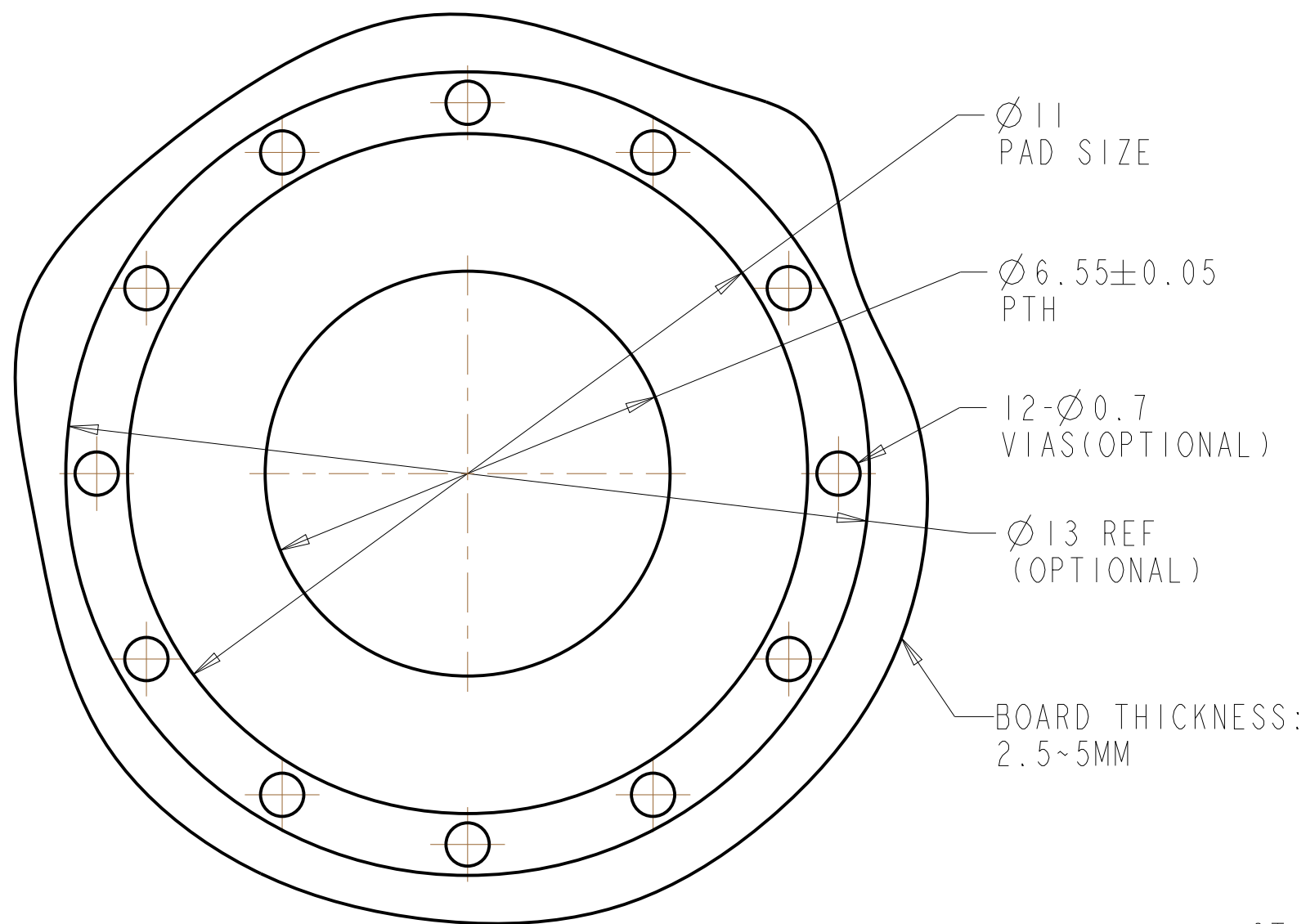
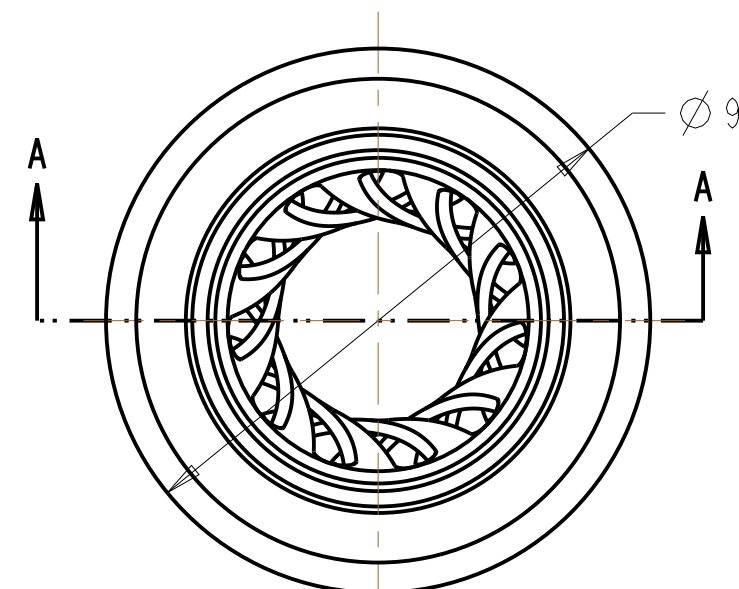
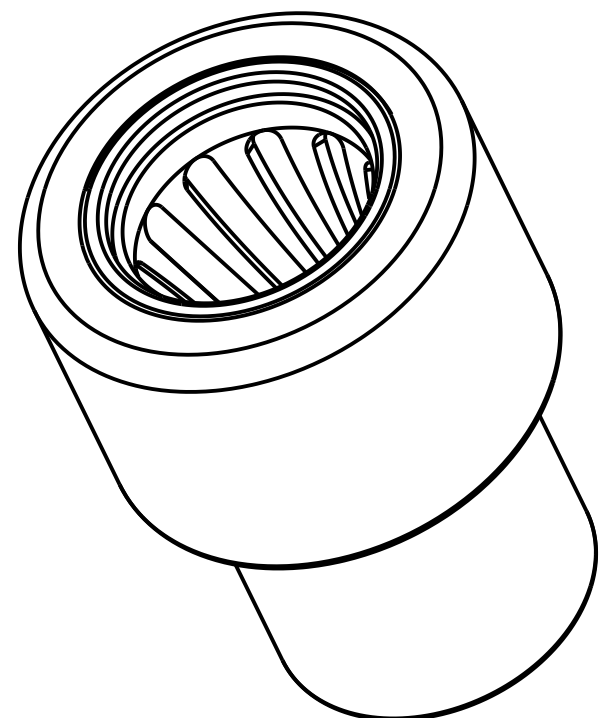


REV. D	SHEET 1 OF 1	DOCUMENT NO. 100-78E6Z7-01 10-729387-001
REVISIONS		
LTR	DESCRIPTION	DATE
A	INITIAL RELEASE	2013-7-15
B	DESIGN CHANGE	2013-7-25
C	UPDATE PCB LAYOUT	2013-7-26
D	ADD Ø11 FOR PAD	2013-7-26

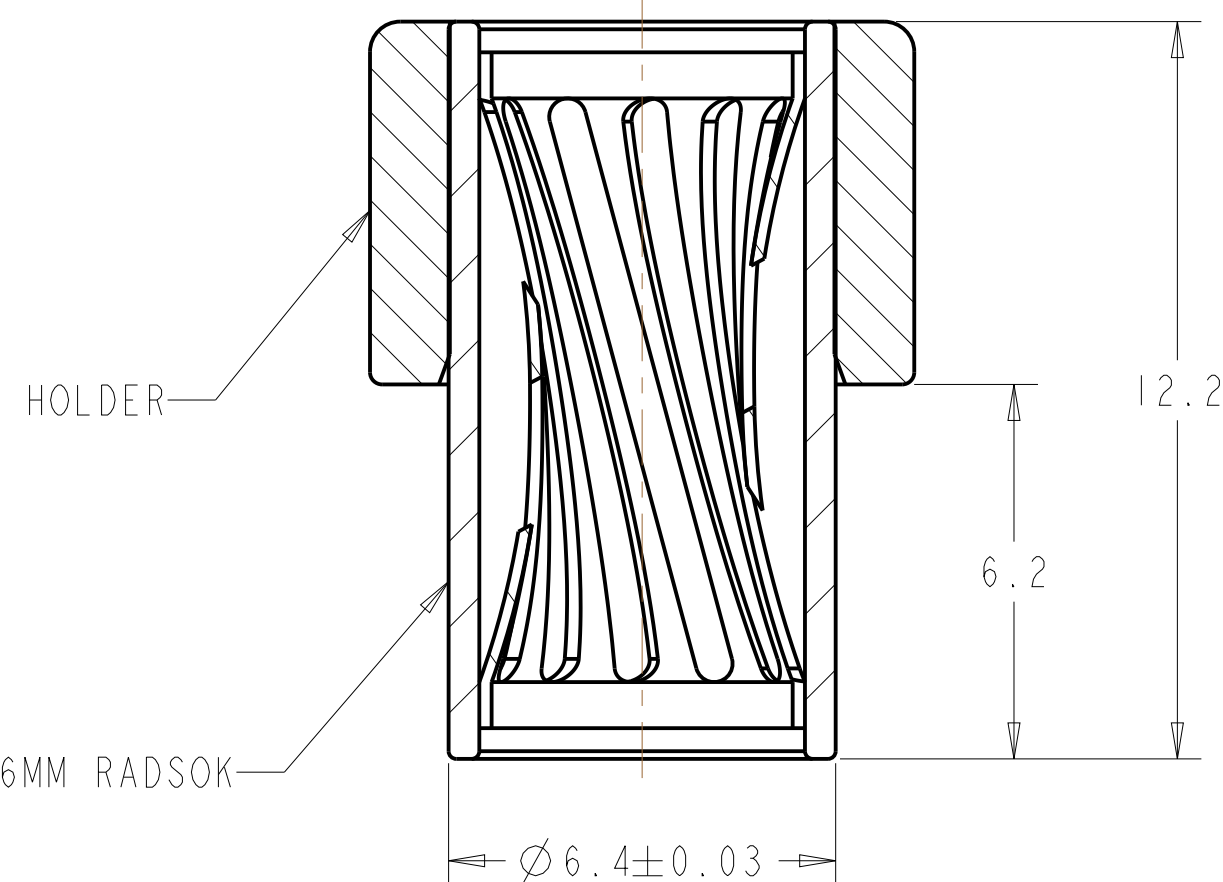
GENERAL TOLERANCE

DIM. RANGE	0.5 ~ 3	> 3 ~ 6	> 6 ~ 30	> 30 ~ 120	> 120 ~ 400
TOLERANCE	±0.1	±0.1	±0.2	±0.3	±0.5

CUSTOMER DRAWING



RECOMENDED PCB LAYOUT



SECTION A-A
SCALE 8.000

2. SPEC INFO:
 SOCKET MATES WITH A 3.6MM NORNINAL PIN,
 RATED CURRENT: 70A,
 COPPER ALLOY BASE MATERIAL WITH SILVER
 200~300u'' SURFACE FINISH OVER 20u'' MIN NI BARREL.
 REFLOW SOLDERING ONLY.

1. THE REFERENCED PRODUCT MEETS COMPLIANCE TO THE
 MAXIMUN CONTRADITION VALUES(MCVS) SET FORTH IN THE
 2009/125/EC AMENDMENT TO 2011/65/EC RoHS DIRECTIVE.

NOTES:

THIS DOCUMENT CONTAINS PROPRIETARY INFORMATION AND SUCH INFORMATION MAY NOT BE DISCLOSED TO OTHERS FOR ANY PURPOSE OR USED FOR MANUFACTURING PURPOSES WITHOUT WRITTEN PERMISSION FROM THE AMPHENOL CORP.

N/A	PRO/ENGINEER INFORMATION
NEXT ASSEMBLY	Pro/e Model Used:
METRIC DOCUMENT	Drawing Name:
	10-729387-001-0

UNLESS OTHERWISE SPECIFIED	SPECIFICATIONS	POS	QTY	PART NUMBER	DESCRIPTION	NOTE
LINEAR DIMENSIONS ARE IN: MILLIMETERS TOLERANCES: ANGLES= ±2° DEFAULT LINEAR TOLERANCES SEE TABLE	MATERIAL SPEC. N/A	APPROVALS		DATE	PARTS LIST	
DIM. & TOL. PER ASME Y14.5M-1994; DRM PER MIL-DTL-31000; OTHER AMPHENOL STANDARDS: 9-9318	PROCESS SPEC. N/A	PREPARED BY	CHRIS LI	Jul-15-13	AMPHENOL INDUSTRIAL OPERATIONS Amphenol Technology(Zhuhai)Co.,Ltd No.63, Xingnan Road, Sanzao Town, Jinwan, Zhuhai, PRC	
LEGENDS: △=FLAG NOTE CALL OUT REFERENCE ONLY		ENGINEER IN CHARGE	CHRIS LI		ST 3.6MM RADSERT, SOLDER TYPE	
		DESIGN MANAGER	RAN XIAO			
		DESIGN ACTIVITY GROUP	C&I		THIRD ANGLE PROJECTION	
				SIZE	CAGE CODE	DOCUMENT NO.
				C	77820	10-729387-001
				SCALE: 7.0	REF.	SHEET 1 OF 1
						REV. D

DOCUMENT NO. 10-729387-001
 SHEET 1 OF 1
 REV. D

DOCUMENT NO. 10-729387-001
 SHEET 1 OF 1
 REV. D

X-ON Electronics

Largest Supplier of Electrical and Electronic Components

Click to view similar products for [Power to the Board](#) category:

Click to view products by [Amphenol](#) manufacturer:

Other Similar products are found below :

[6450171-4](#) [6450552-7](#) [6600323-8](#) [6643429-1](#) [6646040-2](#) [6651939-1](#) [6766604-1](#) [120959-1](#) [1393557-2](#) [1393532-2](#) [1393532-3](#) [1393532-4](#)
[1393557-1](#) [1600812-5](#) [1-6450861-2](#) [1744132-7](#) [1761122-1](#) [1766250-1](#) [1892109-1](#) [2-6450860-5](#) [2-6450870-0](#) [1-6450161-4](#) [1-6450850-6](#) [1-](#)
[6450869-6](#) [1645526-2](#) [1-6600130-0](#) [2005243-2](#) [TE34-12-16P-F0](#) [5-6450830-6](#) [5646956-4](#) [4-6450830-9](#) [4-6600333-3](#) [10125416-4050LF](#)
[6600320-3](#) [3-6450860-5](#) [1888123-2](#) [6450166-1](#) [6643978-1](#) [6766605-1](#) [N11444](#) [6651938-1](#) [6450810-7](#) [46437-1112](#) [1-1589677-8](#) [5646956-5](#)
[6450813-2](#) [6450129-4](#) [1645523-1](#) [PSS-06-01-T-S](#) [0465621864](#)