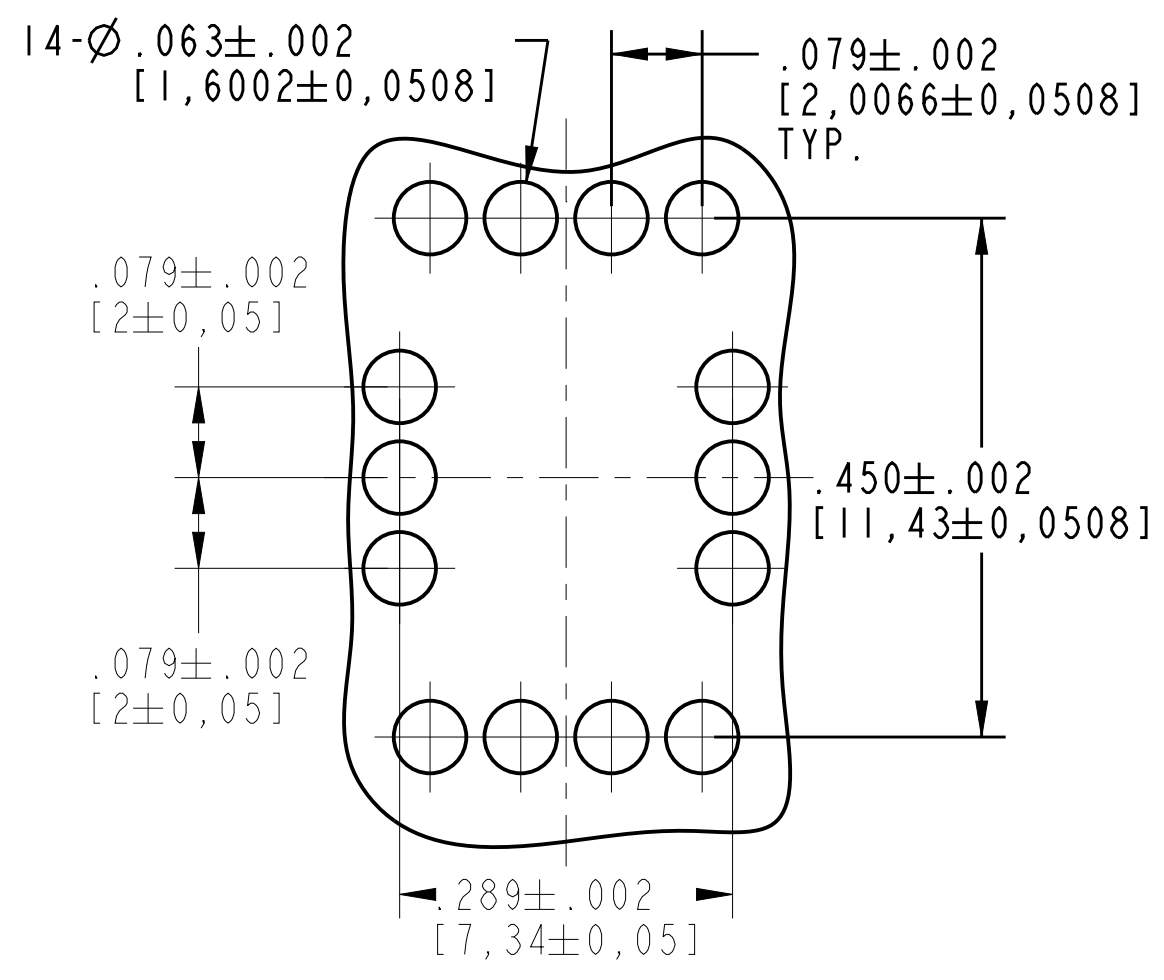
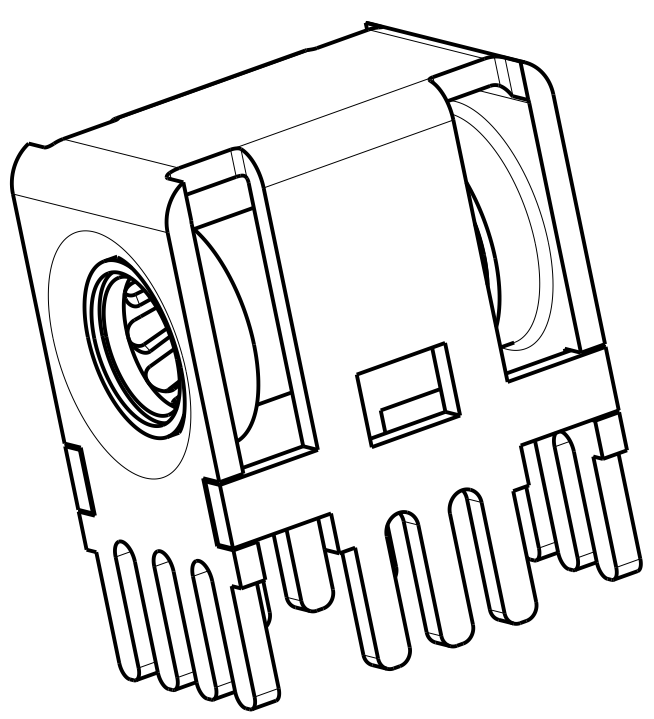


REV. B		SHEET 1 OF 1		DOCUMENT NO. 10-729760-000	
REVISIONS					
REV.	DESCRIPTION			DATE	
A	INITIAL RELEASE			2013-11-7	
B	DESIGN CHANGE			2013-12-06	

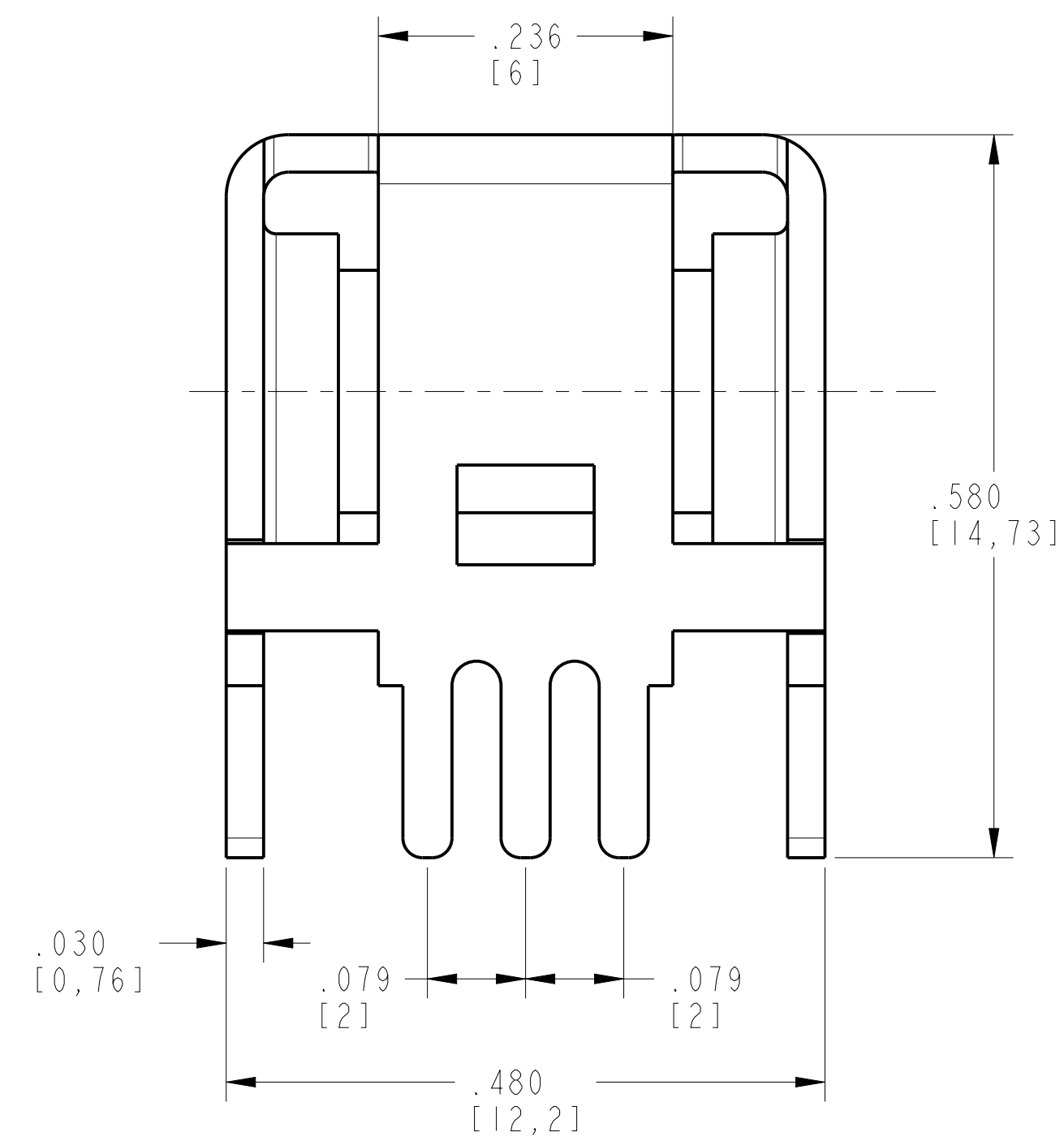
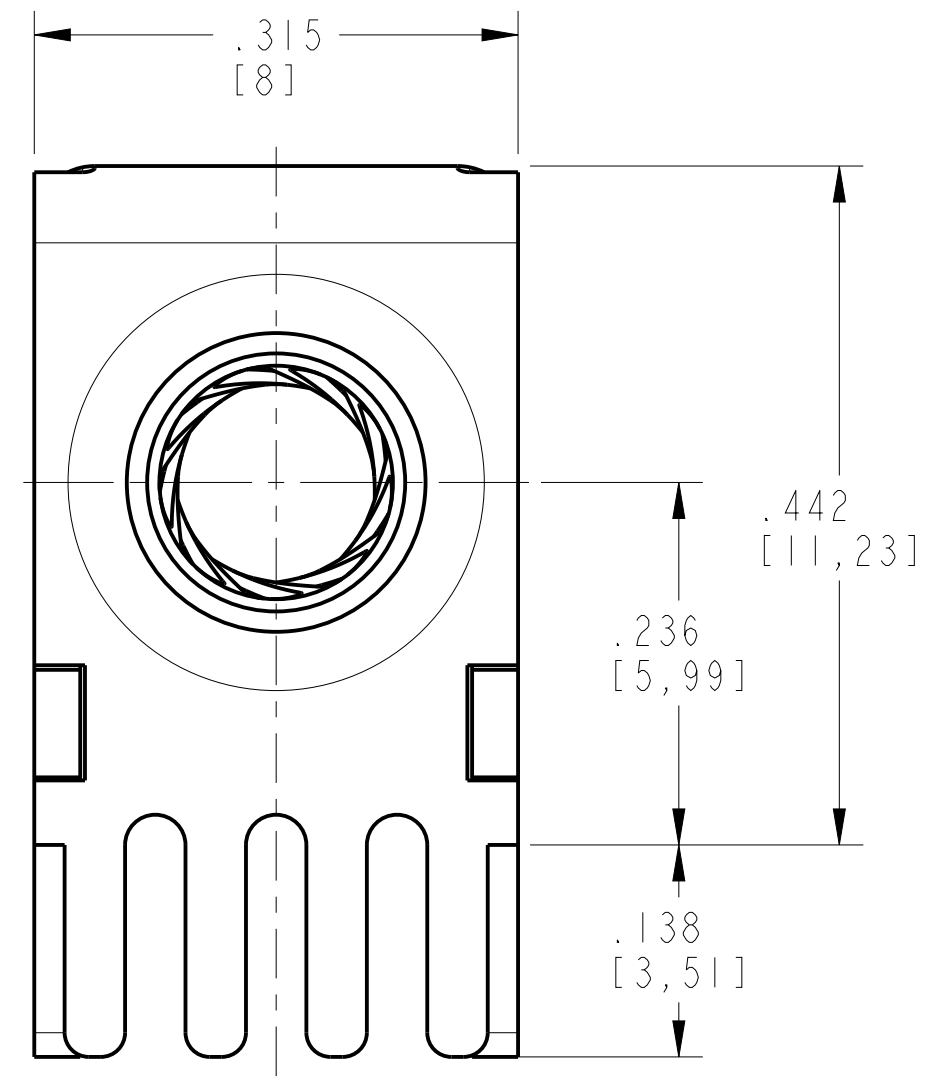
# CUSTOMER DRAWING



PCB LAYOUT RECOMMENDATION



SCALE 5.000



2. SPECIFICATION:
- 1) SURFACE FINISH:  
CONTACT: SILVER;  
HOLDER: Tin.
  - 2) RATED CURRENT: 70A.

1. THE REFERENCED MATERIAL SHALL BE CERTIFIED TO COMPLIANT TO THE 2002/95/EC RoHS DIRECTIVE AMENDED PER 2005/618/EC.

**NOTES:**  
THE USE OF THIS DOCUMENT IS UNLIMITED. HOWEVER, DOCUMENTS REFERENCED HEREON MAY CONTAIN LIMITED RIGHTS DATA.

N/A	PRO/ENGINEER INFORMATION
N/A	Pro/e Model Used: 10-729760-000.ASSEM
N/A	Drawing Name: 10-729760-000-CUS-B
N/A	NEXT ASSEMBLY

UNLESS OTHERWISE SPECIFIED	SPECIFICATIONS	POS	QTY	PART NUMBER	DESCRIPTION	NOTE
LINEAR DIMENSIONS ARE IN INCHES TOLERANCES: .XXXX = $\pm$ .0005 ANGLES= $\pm$ 2° .XXX = $\pm$ .010 .XX = $\pm$ .03 .X = $\pm$ .1 DIM. & TOL. PER ASME Y14.5M; DRM PER MIL-DTL-31000; OTHER Amphenol Sds. PER 9-3800 LEGENDS: =FLAG NOTE CALL OUT REFERENCE ONLY	MATERIAL SPEC.	APPROVALS		DATE	PARTS LIST	
	N/A	PREPARED BY	CHRIS LI	07-Nov-13	<b>AMPHENOL CORPORATION</b> 40-60 DELAWARE AVENUE SIDNEY, N.Y. 13838	
	PROCESS SPEC.	ENGINEER IN CHARGE	CHRIS LI		<b>R4 36MM RADSOK PCB MOUNT ASSEMBLY</b>	
		DESIGN MANAGER	RAN XIAO		SIZE C CAGE CODE 77820 DOCUMENT NO. 10-729760-000 REV. B SCALE: 8.0 REF: N/A SHEET 1 OF 1	
		DESIGN ACTIVITY GROUP	C & I			
		THIRD ANGLE PROJECTION				

DOCUMENT NO. 10-729760-000 SHEET 1 OF 1 REV. B  
 C B A

DOCUMENT NO. 10-729760-000 SHEET 1 OF 1 REV. B  
 C B A

## X-ON Electronics

Largest Supplier of Electrical and Electronic Components

*Click to view similar products for [Power to the Board](#) category:*

*Click to view products by [Amphenol](#) manufacturer:*

Other Similar products are found below :

[6450171-4](#) [6450552-7](#) [6600323-8](#) [6643429-1](#) [6646040-2](#) [6651939-1](#) [6766604-1](#) [120959-1](#) [1393557-2](#) [1393532-2](#) [1393532-3](#) [1393532-4](#)  
[1393557-1](#) [1600812-5](#) [1-6450861-2](#) [1744132-7](#) [1761122-1](#) [1766250-1](#) [1892109-1](#) [2-6450860-5](#) [2-6450870-0](#) [1-6450161-4](#) [1-6450850-6](#) [1-](#)  
[6450869-6](#) [1645526-2](#) [1-6600130-0](#) [2005243-2](#) [TE34-12-16P-F0](#) [5-6450830-6](#) [5646956-4](#) [4-6450830-9](#) [4-6600333-3](#) [10125416-4050LF](#)  
[6600320-3](#) [3-6450860-5](#) [1888123-2](#) [6450166-1](#) [6643978-1](#) [6766605-1](#) [N11444](#) [6651938-1](#) [6450810-7](#) [46437-1112](#) [1-1589677-8](#) [5646956-5](#)  
[6450813-2](#) [6450129-4](#) [1645523-1](#) [PSS-06-01-T-S](#) [0465621864](#)