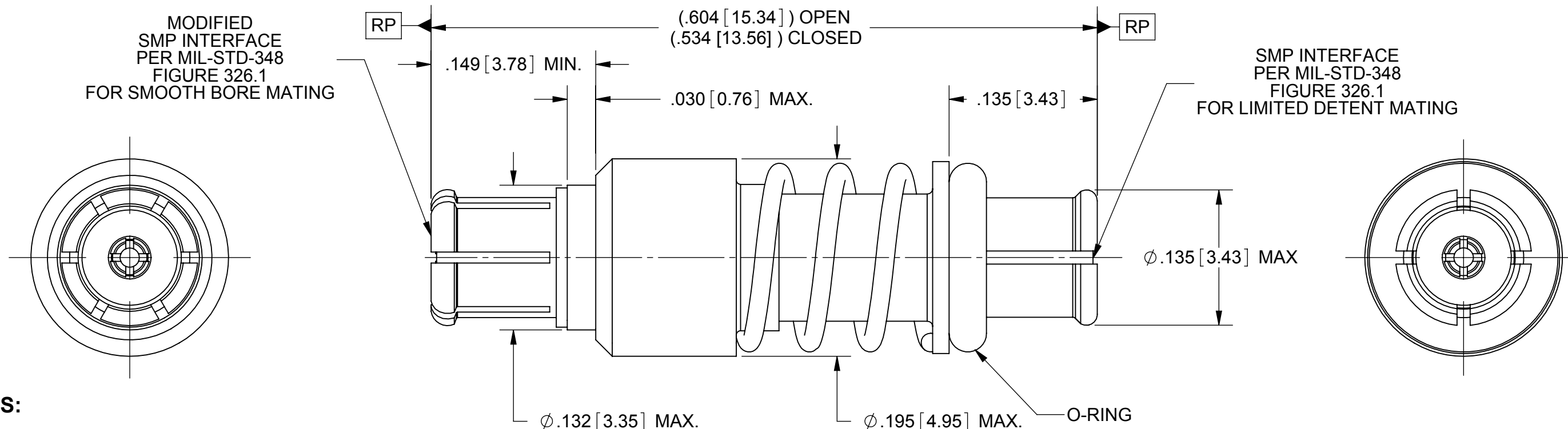


PRODUCT DATA DRAWING

REVISION HISTORY			
REV	DESCRIPTION	DATE	APPROVED
-	DCN 36469	02/09	JMC
A	DCN 39762	04/13	EFT
B	DCN 39763	04/13	EFT



MATERIALS:

- BODY & CONTACT: BERYLLIUM COPPER PER ASTM B196, ALLOY No. UNS C17300, TD04.
- INSULATORS: PTFE PER ASTM D1710.
- SPRING: STAINLESS STEEL PER AMS-5678, ALLOY S17700.
- O-RING: SILICONE RUBBER PER A-A-59588, CLASS 2A, GRADE 70.

FINISHES:

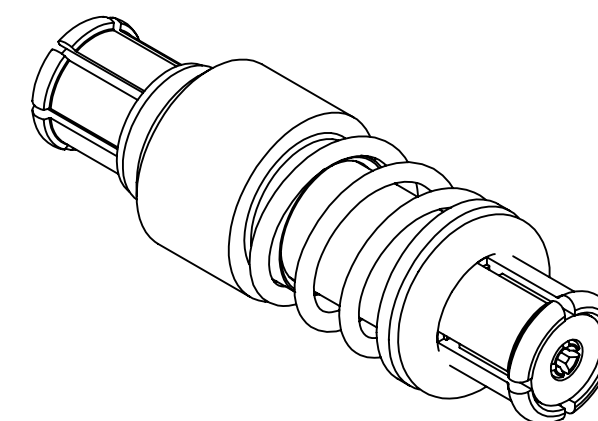
- BODY & CONTACT: GOLD PER ASTM B488, TYPE I GRADE C, CLASS 1.27, OVER ELECTRO-LESS NICKEL PER AMS-2404, CLASS 4, .00050" MINIMUM.
- SPRING: PASSIVATED PER ASTM A967

PERFORMANCE:

- IMPEDANCE: 50 ± 1 OHMS
- FREQ. RANGE: DC - 40 GHz
- VSWR: 1.30:1, DC - 12 GHz
1.40:1, 12 - 18 GHz
1.60:1, 18 - 40 GHz
- INSERTION LOSS: 0.4 dB, DC - 12 GHz
0.6 dB, 12 - 18 GHz
0.8 dB, 18 - 40 GHz
- DWV: 500 VRMS
- INSULATION RES.: 5,000 MEGOHMS MIN

WEIGHT: 0.06 OUNCES MAX

SPRING FORCE: 4 LBS MAX AT FULL DEFLECTION,
2 LBS MIN PRELOAD.



MATERIAL: SEE NOTES	DIMENSIONS ARE IN INCHES TOLERANCES: FRACTIONAL: ±1/64 ANGULAR: X° ±1'0" X'X' ±15'	UNLESS OTHERWISE SPECIFIED 1) ALL DIMENSIONS ARE IN INCHES (MILLIMETERS) 2) ALL DIMENSIONS ARE AFTER PLATING. 3) BREAK CORNERS & EDGES .005 R. MAX. 4) CHAM. 1ST & LAST THREADS. 5) SURFACE ROUGHNESS 63-MIL-STD-10. 6) DIA.'S ON COMMON CENTERS TO BE CONCENTRIC WITHIN .005 T.I.R. 7) REMOVE ALL BURRS	SV Microwave, Inc. 2400 Centrepark West Drive, Suite 100 West Palm Beach, FL 33409
FINISH: SEE NOTES	DECIMAL: X ±.030 .XX ±.010 .XXX ±.005	INTERPRET DIMENSIONS AND TOLERANCES PER ASME Y14.5M - 1994	TITLE: SMP TELESCOPIC ADAPTOR
SURFACE AREA: N/A	THIRD ANGLE PROJECTION	DRAWN: PJS 02/13/09	SIZE: B CAGE CODE: 95077 DWG. NO. 1112-4019
PROPRIETARY THE INFORMATION CONTAINED IN THIS DRAWING IS THE SOLE PROPERTY OF SV MICROWAVE, INC. ANY REPRODUCTION IN PART OR AS A WHOLE WITHOUT THE WRITTEN PERMISSION OF SV MICROWAVE, INC IS PROHIBITED.		CHECKED: JMC 02/13/09	SCALE: 10:1
		APPROVED: JMC 02/13/09	SHEET 1 OF 1

X-ON Electronics

Largest Supplier of Electrical and Electronic Components

Click to view similar products for [RF Adapters - In Series category:](#)

Click to view products by [Amphenol manufacturer:](#)

Other Similar products are found below :

[5916-1103-603](#) [5918-1103-000](#) [5919-1503-000](#) [651A505](#) [82-5552](#) [9030-9523-502](#) [A0407000](#) [R114703000W](#) [R125704000](#) [R125771001](#)
[R141710000W](#) [R141723161](#) [R141730000](#) [R143730700](#) [R143770000](#) [R161703000W](#) [R161730000](#) [R161753000W](#) [R161791530W](#)
[R201705000](#) [R222705200](#) [R222M40010W](#) [R223703180](#) [R316754000](#) [R405006000](#) [R443162000](#) [AD78TL](#) [HRM-513S](#) [1996352-2](#)
[2157155-1](#) [252169-75](#) [AD158](#) [2101130-1](#) [252186](#) [R114704000W](#) [R114720000W](#) [R125705001](#) [R125705701](#) [R125771000](#) [R125771001W](#)
[R125791501W](#) [R127704001](#) [R127.870.001](#) [R127872001](#) [R141717000](#) [R142710000](#) [R142723000](#) [R143703000](#) [R143704000](#) [R143705700](#)