

PRODUCT DATA DRAWING

REVISION HISTORY			
REV	DESCRIPTION	DATE	APPROVED
-	NRN 44886	06/20	BNK

MATERIALS:

- BODIES, CONTACTS & EMI / ANTI-ROCK RING:** BERYLLIUM COPPER PER ASTM B196, ALLOY No. UNS C17300, TD04.
- INSULATORS:** PTFE PER ASTM D1710, TYPE I, GRADE 1, CLASS B
- SLEEVE:** STAINLESS STEEL PER AMS-5640, ALLOY UNS S30300, TYPE 1; OR ASTM A582 TYPE 303, COND. A
- SPRING:** STAINLESS STEEL PER AMS-5678, ALLOY S17700.

FINISHES:

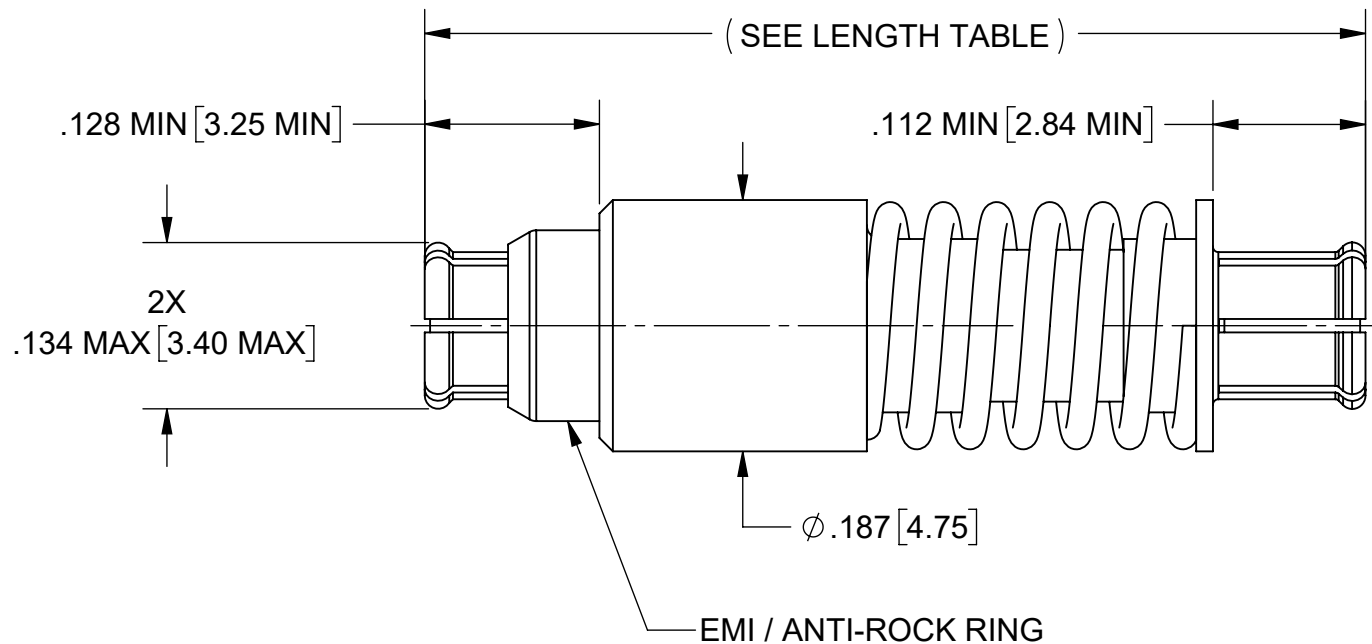
- BODIES, CONTACTS, EMI / ANTI-ROCK RING & SLEEVE:** GOLD PER ASTM B488, TYPE II, CODE C, CLASS 1.27, OVER NICKEL PER AMS-QQ-N-290, CLASS 1, .00005" MIN.
- SPRING:** PASSIVATED PER AMS 2700.

ELECTRICAL SPECIFICATIONS:

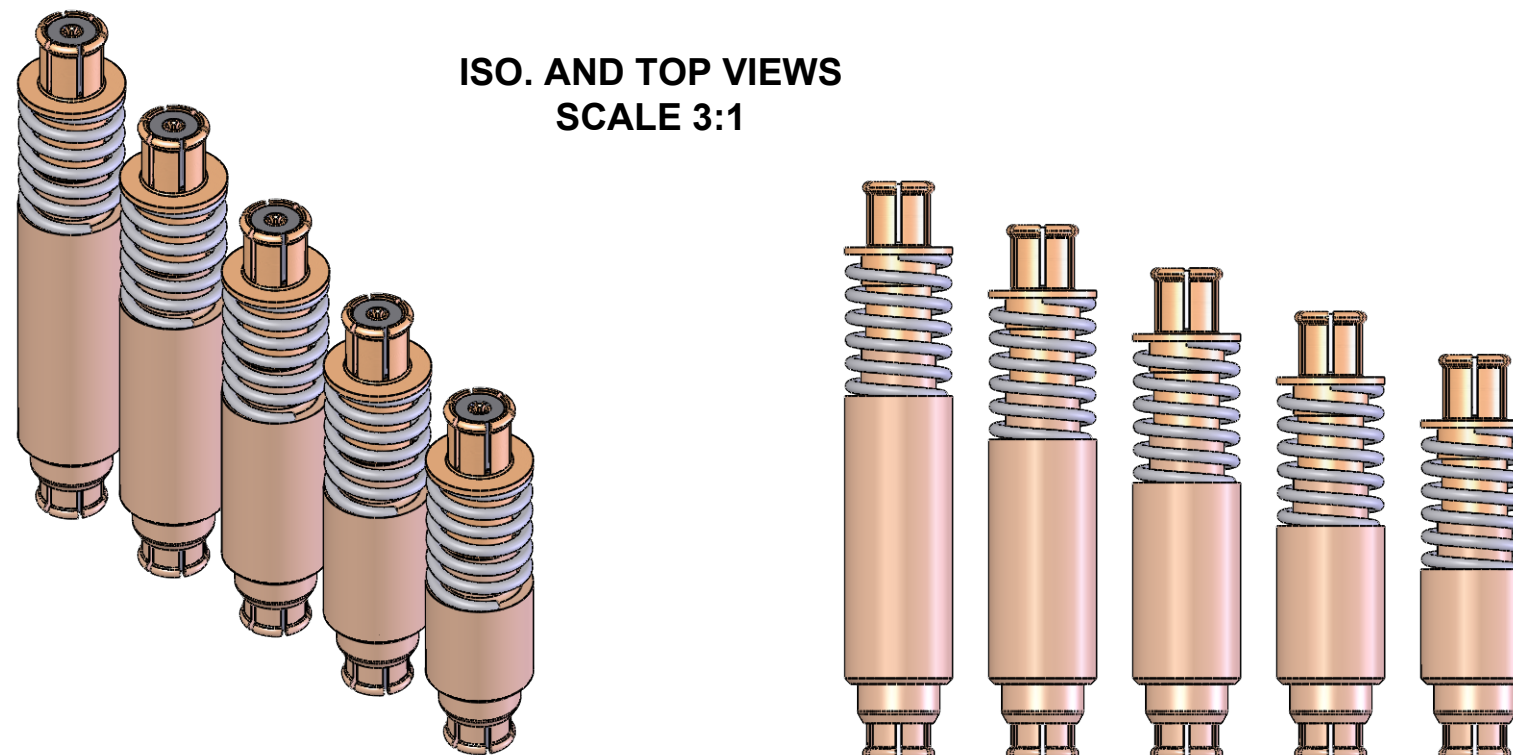
- IMPEDANCE:** 50 OHMS
- FREQ. RANGE:** DC TO 40.0 GHz.

MECHANICAL SPECIFICATIONS:

- SPRING FORCE:** 4.0 LBS MAXIMUM AT FULL DEFLECTION, 2.0 LBS MINIMUM PRELOAD.
- ENGAGE FORCE:**
 - FULL DETENT: 13.5 LBS MAXIMUM (6.0 LBS TYP.)
 - SMOOTH BORE: 2.5 LBS MAXIMUM (1.85 LBS TYP.)
- DISENGAGE FORCE:**
 - FULL DETENT: 5.0 LBS MINIMUM (7.5 LBS TYP.)
 - SMOOTH BORE: 7.5 OZ MINIMUM (8.5 OZ TYP.)



ISO. AND TOP VIEWS
SCALE 3:1



LENGTH TABLE

SV PART NUMBER	LENGTHS		
	COMPRESSED	NOMINAL	UNCOMPRESSED
1112-4144	0.600	0.650	0.700
1112-4145	0.675	0.725	0.775
1112-4146	0.750	0.800	0.850
1112-4147	0.825	0.875	0.925
1112-4148	0.900	0.950	1.000

MATERIAL: SEE NOTES	DIMENSIONS ARE IN INCHES TOLERANCES: FRACTIONAL: ±1/64 ANGULAR: X° ±1'0" X°X' ±15'	UNLESS OTHERWISE SPECIFIED 1) ALL DIMENSIONS ARE IN INCHES (MILLIMETERS) 2) ALL DIMENSIONS ARE AFTER PLATING. 3) BREAK CORNERS & EDGES .005 R. MAX. 4) CHAM. 1ST & LAST THREADS. 5) SURFACE ROUGHNESS 63-MIL-STD-10. 6) DIA.'S ON COMMON CENTERS TO BE CONCENTRIC WITHIN .005 T.I.R. 7) REMOVE ALL BURRS	
FINISH: SEE NOTES	DECIMAL: X ±.030 .XX ±.010 .XXX ±.005	INTERPRET DIMENSIONS AND TOLERANCES PER ASME Y14.5M - 1994	
SURFACE AREA: N/A	THIRD ANGLE PROJECTION	DRAWN: MKK 06/02/20	TITLE: SMP FEMALE TO FEMALE COMPRESSIBLE ADAPTER
<p>PROPRIETARY</p> <p>THE INFORMATION CONTAINED IN THIS DRAWING IS THE SOLE PROPERTY OF SV MICROWAVE, INC. ANY REPRODUCTION IN PART OR AS A WHOLE WITHOUT THE WRITTEN PERMISSION OF SV MICROWAVE, INC IS PROHIBITED.</p>		CHECKED: BNK 06/02/20	SIZE DWG. NO. 1112-4144-4148
		APPROVED: BNK 06/02/20	SCALE: 7:1 SHEET 1 OF 1

X-ON Electronics

Largest Supplier of Electrical and Electronic Components

Click to view similar products for [RF Adapters - In Series](#) category:

Click to view products by [Amphenol](#) manufacturer:

Other Similar products are found below :

[5916-1103-603](#) [5919-1503-000](#) [5919-9503-000](#) [651A505](#) [82-5552](#) [9030-9523-502](#) [PN2C](#) [A0407000](#) [R114703000W](#) [R125771001](#)
[R127871001](#) [R141710000W](#) [R141723161](#) [R141730000](#) [R143730700](#) [R143770000](#) [R161703000W](#) [R161753000W](#) [R161791530W](#)
[R201705000](#) [R222705200](#) [R222M40010W](#) [R222M40050](#) [R223703180](#) [R316754000](#) [R405006000](#) [R443162000](#) [AD78TL](#) [HRM-513S](#)
[1996352-2](#) [2157155-1](#) [252169-75](#) [AD158](#) [2101130-1](#) [252186](#) [R114704000W](#) [R114720000W](#) [R125705001](#) [R125705701](#) [R125771000](#)
[R125771001W](#) [R127704001](#) [R127.870.001](#) [R127872001](#) [R142710000](#) [R142723000](#) [R143703000](#) [R143704000](#) [R143705700](#) [R143710000](#)