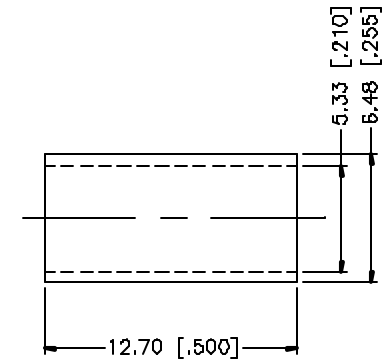
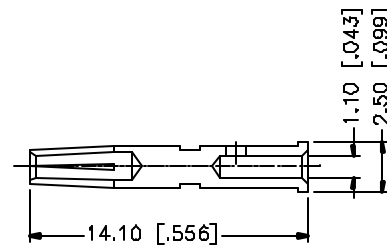
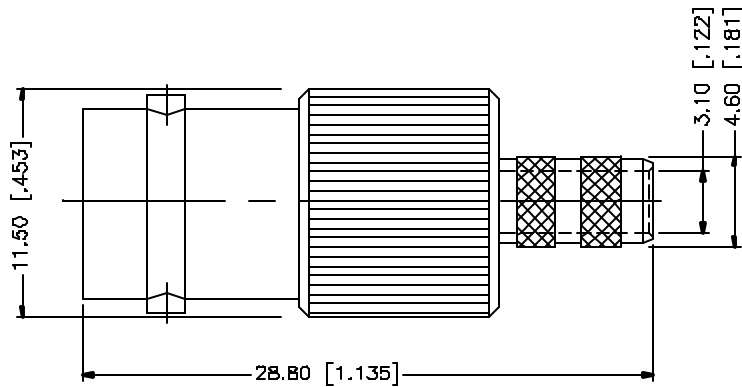
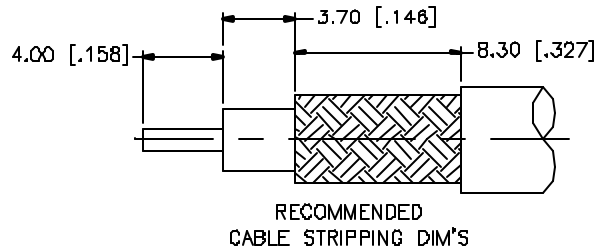


REV.	DATE	DESCRIPTION
NC	05/01/04	INITIAL RELEASE



NOTE:

1. CRIMPED FERRULE  
HEX CRIMP SIZE .213"
2. CRIMPED CONTACT PIN  
HEX CRIMP SIZE .068"

REV.	DATE	DESCRIPTION
NC	05/01/04	INITIAL RELEASE
8		
7		
6		
5		
4	FERRULE	COPPER NICKEL 1
3	CONTACT PIN	PHOS. BRONZE GOLD 1
2	INSULATOR	DELFIN NATURAL 1
1	HOUSING/BODY	BRASS NICKEL 1
	DESCRIPTION	MATERIAL FINISH QTY
<p>UNLESS OTHERWISE SPECIFIED DIMENSIONS ARE IN MILLIMETERS. DIMENSIONS IN [ ] ARE IN INCHES AND FOR CUSTOMER REFERENCE ONLY.</p> <p>UNLESS OTHERWISE SPECIFIED TOLERANCES FOR MILLIMETERS ARE:  0.5 - 8mm ± 0.20mm  8 - 30mm ± 0.40mm  30 - 120mm ± 0.50mm</p> <p>UNLESS OTHERWISE SPECIFIED TOLERANCES FOR INCHES ARE:  .020 - .315 = ± 0.007"  .315 - 1.180 = ± 0.015"  1.180 - 4.724 = ± 0.020"</p> <p>DO NOT SCALE DRAWING</p>		
APPROVALS		DATE
DRAWN	G.R.S.	05/01/04
CHECKED		
ISSUED		
SHEET	1 OF 1	
CAD FILE		C:/112/112148.DWG
<b>Amphenol Connex</b>		
PART DESCRIPTION		
BNC CRIMP JACK		
PART NO.		
112148		
DWG. NO.	112148.DWG	REV. NC
BZE	A	SCALE NA

## X-ON Electronics

Largest Supplier of Electrical and Electronic Components

*Click to view similar products for [RF Connectors / Coaxial Connectors](#) category:*

*Click to view products by [Amphenol](#) manufacturer:*

Other Similar products are found below :

[8915-1511-000](#) [89674-0827](#) [6001-7071-019](#) [6002-7051-003](#) [6002-7551-202](#) [6059674-1](#) [619550-1](#) [630059-000](#) [M39030/3-01N](#) [M3933/25-36N](#) [6500-7071-046](#) [6769](#) [CX050L2AQ](#) [7002-1542-011](#) [7004-1512-000](#) [7009-1511-004](#) [7010-1511-000](#) [7029-1511-060](#) [7101-1541-010](#) [7101-1571-002](#) [7105-1521-002](#) [7145-1521-002](#) [7203-1571-003](#) [7209-1511-011](#) [7210-1511-015](#) [7210-1511-019](#) [73137-5015](#) [73216-2241](#) [7325-1512-000](#) [73404-2300](#) [7405-1521-005](#) [7405-1521-802](#) [7406-1521-005](#) [8527](#) [8547](#) [FS11V](#) [8808-1511-001](#) [9049-9513-000](#) [9074-9513-000](#) [9101-9573-002](#) [910A205F](#) [9130-9573-002](#) [PL11SC-026](#) [PL375-33](#) [PL40-5](#) [PL71-9](#) [PL74C-221](#) [PL75MC-217](#) [PL803-7](#) [980-8666-005](#)