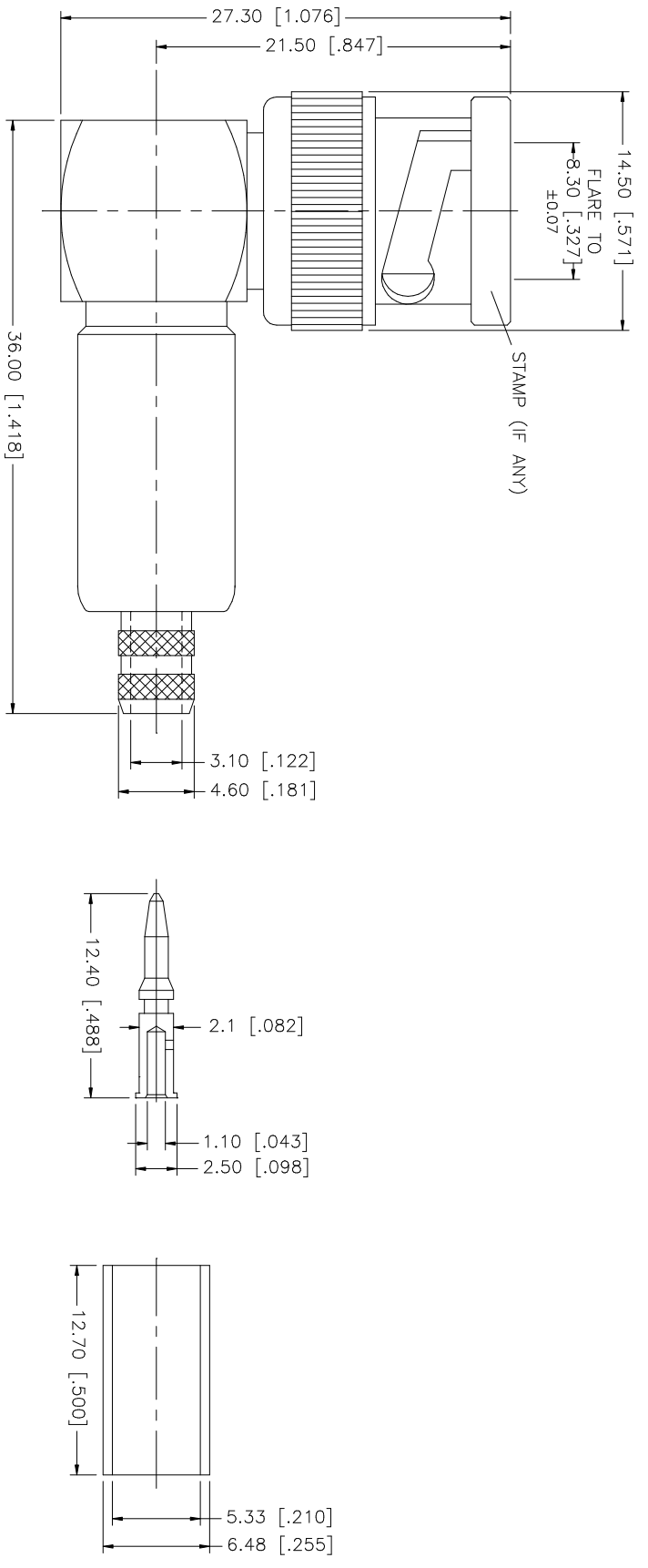


REV.	DATE	DESCRIPTION
NC	01/04/04	UPDATE DRAWING FORMAT



- NOTE:
1. CRIMPED FERRULE
HEX CRIMP SIZE .213"
 2. CRIMPED CONTACT PIN
HEX CRIMP SIZE .068"

RECOMMENDED
CABLE STRIPPING DIM'S

UNLESS OTHERWISE SPECIFIED DIMENSIONS ARE IN MILLIMETERS. DIMENSIONS IN [] ARE IN INCHES AND FOR CUSTOMER REFERENCE ONLY.	UNLESS OTHERWISE SPECIFIED DIMENSIONS ARE IN MILLIMETERS ONLY.	UNLESS OTHERWISE SPECIFIED DIMENSIONS ARE IN INCHES ONLY.	UNLESS OTHERWISE SPECIFIED DIMENSIONS ARE IN MILLIMETERS ONLY.	UNLESS OTHERWISE SPECIFIED DIMENSIONS ARE IN INCHES ONLY.	UNLESS OTHERWISE SPECIFIED DIMENSIONS ARE IN MILLIMETERS ONLY.	UNLESS OTHERWISE SPECIFIED DIMENSIONS ARE IN INCHES ONLY.
8						
7						
6						
5	FERRULE	COPPER	NICKEL	1	0.5 - 8mm ± 0.20mm	
4	CONTACT PIN	PHOS. BRONZE	GOLD	1	8 - 30mm ± 0.40mm	
3	CONTACT PIN	BRASS	GOLD	2	30 - 120mm ± 0.50mm	
2	INSULATOR	DELRI	NATURAL	2	.020 - .315 = ± 0.007"	
1	BODY	BRASS	NICKEL	1	.315 - 1.180 = ± 0.015"	
					1.180 - 4.724 = ± 0.020"	
	DESCRIPTION	MATERIAL	FINISH	QTY	DO NOT SCALE DRAWING	
Amphenol Connex BNC R/A CRIMP PLUG (FOR RG-58/U, 141/U CABLE)						
APPROVALS DRAWN G.R.S. DATE 01/04/04 CHECKED ISSUED SHEET 1 OF 1						
CAD FILE C:/112/112182.DWG DWG. NO. 112182.DWG REV. NC SIZE A SCALE NA						

X-ON Electronics

Largest Supplier of Electrical and Electronic Components

Click to view similar products for [RF Connectors / Coaxial Connectors](#) category:

Click to view products by [Amphenol](#) manufacturer:

Other Similar products are found below :

[8915-1511-000](#) [89674-0827](#) [6001-7071-019](#) [6002-7051-003](#) [6002-7551-202](#) [6059674-1](#) [619550-1](#) [630059-000](#) [M39030/3-01N](#) [M3933/25-36N](#) [6500-7071-046](#) [6769](#) [CX050L2AQ](#) [7002-1542-011](#) [7004-1512-000](#) [7009-1511-004](#) [7010-1511-000](#) [7029-1511-060](#) [7101-1541-010](#) [7101-1571-002](#) [7105-1521-002](#) [7145-1521-002](#) [7203-1571-003](#) [7209-1511-011](#) [7210-1511-015](#) [7210-1511-019](#) [73137-5015](#) [73216-2241](#) [7325-1512-000](#) [73404-2300](#) [7405-1521-005](#) [7405-1521-802](#) [7406-1521-005](#) [8527](#) [8547](#) [FS11V](#) [8808-1511-001](#) [9049-9513-000](#) [9074-9513-000](#) [9101-9573-002](#) [910A205F](#) [9130-9573-002](#) [PL11SC-026](#) [PL375-33](#) [PL40-5](#) [PL71-9](#) [PL74C-221](#) [PL75MC-217](#) [PL803-7](#) [980-8666-005](#)