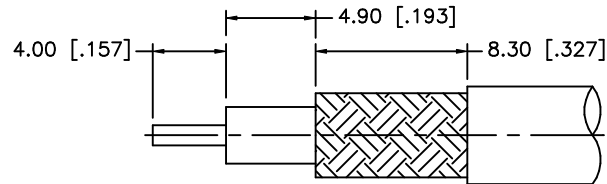
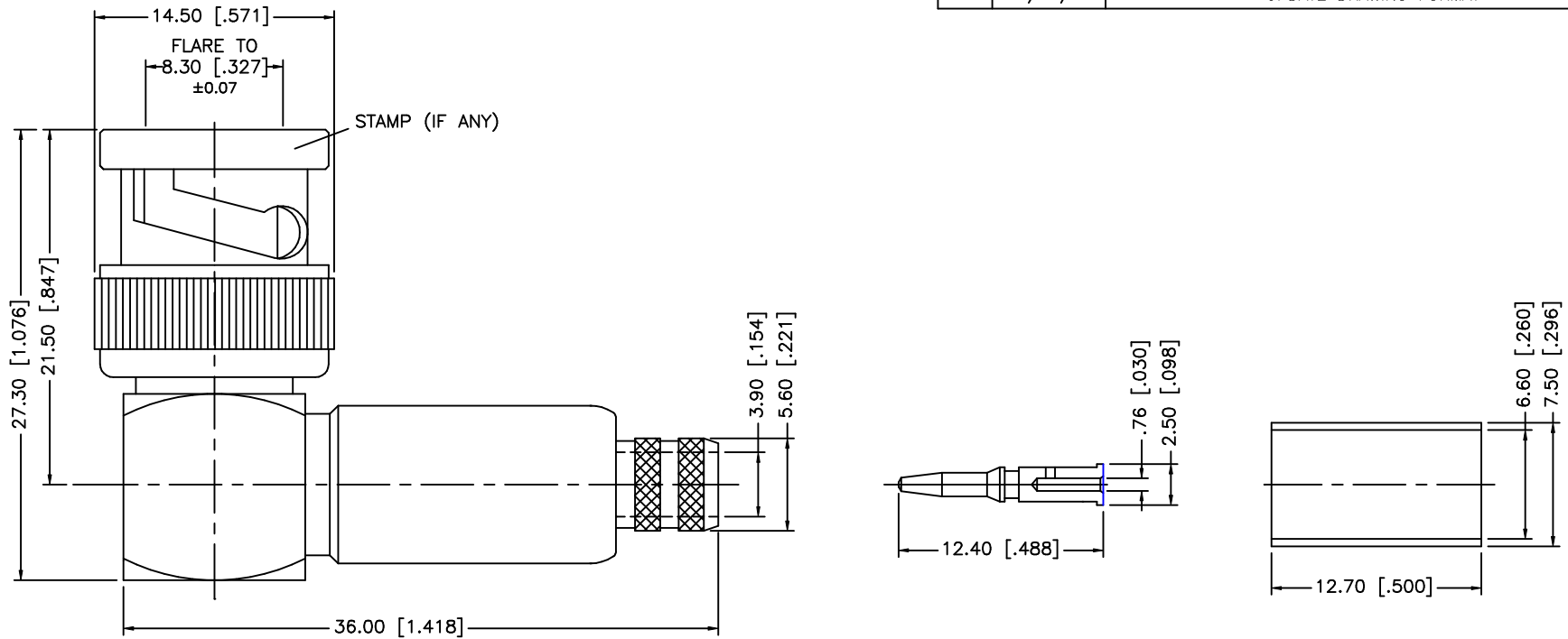


| REV. | DATE | DESCRIPTION |
|------|----------|-----------------------|
| NC | 10/09/06 | UPDATE DRAWING FORMAT |



NOTE:

1. CRIMPED FERRULE HEX CRIMP SIZE .255".
2. CRIMPED CONTACT PIN HEX CRIMP SIZE .068".

| REV. | DATE | DESCRIPTION |
|---|-------------|---------------------|
| 8 | | |
| 7 | | |
| 6 | | |
| 5 | FERRULE | COPPER NICKEL 1 |
| 4 | CONTACT PIN | PHOS. BRONZE GOLD 1 |
| 3 | CONTACT PIN | BRASS GOLD 1 |
| 2 | INSULATOR | DELTRIN NATURAL 2 |
| 1 | BODY | BRASS NICKEL 1 |
| <p>UNLESS OTHERWISE SPECIFIED DIMENSIONS ARE IN MILLIMETERS. DIMENSIONS IN [] ARE IN INCHES AND FOR CUSTOMER REFERENCE ONLY.</p> <p>UNLESS OTHERWISE SPECIFIED TOLERANCES FOR MILLIMETERS ARE: 0.5 - 8mm ± 0.20mm 8 - 30mm ± 0.40mm 30 - 120mm ± 0.50mm</p> <p>UNLESS OTHERWISE SPECIFIED TOLERANCES FOR INCHES ARE: .020 - .315 = ± 0.007" .315 - 1.180 = ± 0.015" 1.180 - 4.724 = ± 0.020"</p> <p>DO NOT SCALE DRAWING</p> | | |
| APPROVALS | | DATE |
| DRAWN | G.R.S. | 10/09/06 |
| CHECKED | | |
| ISSUED | | |
| SHEET | 1 OF 1 | |
| CAD FILE | | C:/112/112185.DWG |
| <p>Amphenol Connex</p> <p>PART DESCRIPTION: BNC R/A CRIMP PLUG (FOR RG-59/U CABLE)</p> <p>PART NO.: 112185</p> | | |
| DWG. NO. | 112185.DWG | REV. NC |
| SIZE | A | SCALE NA |

X-ON Electronics

Largest Supplier of Electrical and Electronic Components

Click to view similar products for [RF Connectors / Coaxial Connectors](#) category:

Click to view products by [Amphenol](#) manufacturer:

Other Similar products are found below :

[8915-1511-000](#) [89674-0827](#) [6001-7071-019](#) [6002-7051-003](#) [6002-7551-202](#) [6059674-1](#) [619550-1](#) [630059-000](#) [M39030/3-01N](#) [6500-7071-046](#) [6769](#) [CX050L2AQ](#) [7002-1542-011](#) [7004-1512-000](#) [7009-1511-004](#) [7010-1511-000](#) [7029-1511-060](#) [7101-1541-010](#) [7101-1571-002](#) [7105-1521-002](#) [7145-1521-002](#) [7203-1571-003](#) [7209-1511-011](#) [7210-1511-015](#) [7210-1511-019](#) [73137-5015](#) [73216-2241](#) [7325-1512-000](#) [73404-2300](#) [7405-1521-005](#) [7405-1521-802](#) [7406-1521-005](#) [8527](#) [8547](#) [FS11V](#) [8808-1511-001](#) [9049-9513-000](#) [9074-9513-000](#) [9101-9573-002](#) [910A205F](#) [9130-9573-002](#) [PL11SC-026](#) [PL375-33](#) [PL40-5](#) [PL71-9](#) [PL74C-221](#) [PL75MC-217](#) [PL803-7](#) [980-8666-005](#) [1200690078](#)