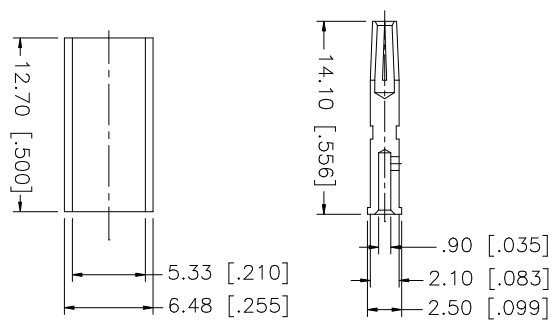
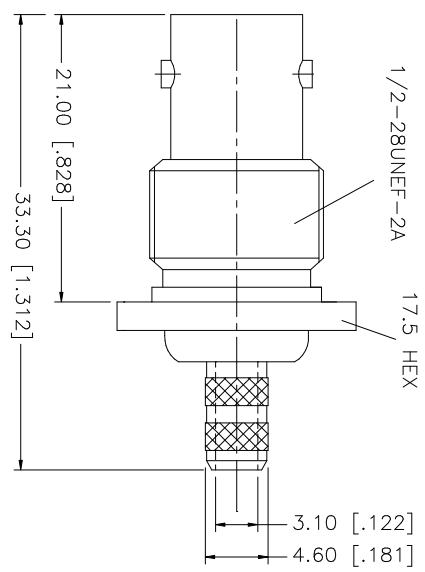
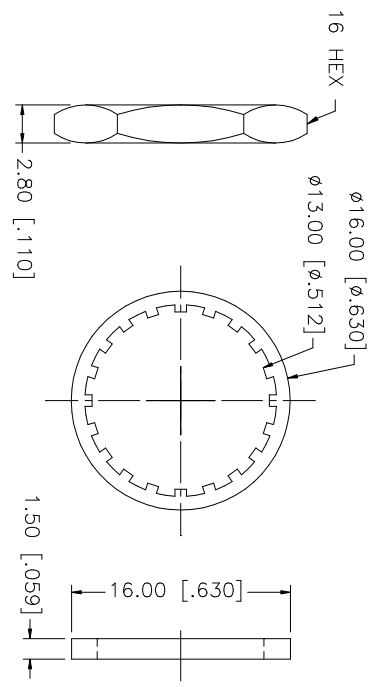
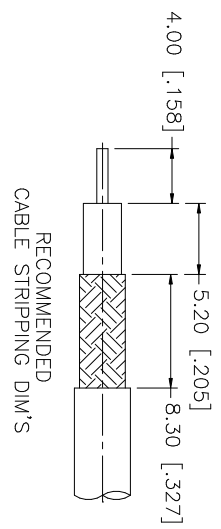


REV.	DATE	DESCRIPTION
NC	11/02/05	INITIAL RELEASE



- CRIMP NOTES:
1. CRIMPED FERRULE
HEX CRIMP SIZE ".213"
 2. CRIMPED CONTACT PIN
HEX CRIMP SIZE ".068"

9																				
8	FERRULE	COPPER	NICKEL	1																
7	HEX NUT	BRASS	NICKEL	1																
6	LOCK WASHER	BRASS	NICKEL	1																
5	GASKET	RUBBER	RED	1																
4	CONTACT PIN	PHOS. BRONZE	GOLD	1																
3	INSULATOR	TEFLON	NATURAL	1																
2	BODY	BRASS	NICKEL	1																
1	DESCRIPTION	MATERIAL	FINISH	QTY																
UNLESS OTHERWISE SPECIFIED DIMENSIONS ARE IN INCHES AND FOR CUSTOMER REFERENCE ONLY.					UNLESS OTHERWISE SPECIFIED DIMENSIONS ARE IN MILLIMETERS AND FOR CUSTOMER REFERENCE ONLY.					UNLESS OTHERWISE SPECIFIED DIMENSIONS ARE IN MILLIMETERS AND FOR CUSTOMER REFERENCE ONLY.										
UNLESS OTHERWISE SPECIFIED TOLERANCES FOR MILLIMETERS ARE:					UNLESS OTHERWISE SPECIFIED TOLERANCES FOR MILLIMETERS ARE:					UNLESS OTHERWISE SPECIFIED TOLERANCES FOR MILLIMETERS ARE:										
0.5 - 8mm ± 0.20mm					0.5 - 8mm ± 0.20mm					0.5 - 8mm ± 0.20mm										
8 - 30mm ± 0.40mm					8 - 30mm ± 0.40mm					8 - 30mm ± 0.40mm										
30 - 120mm ± 0.50mm					30 - 120mm ± 0.50mm					30 - 120mm ± 0.50mm										
UNLESS OTHERWISE SPECIFIED TOLERANCES FOR INCHES ARE:					UNLESS OTHERWISE SPECIFIED TOLERANCES FOR INCHES ARE:					UNLESS OTHERWISE SPECIFIED TOLERANCES FOR INCHES ARE:										
.020 - .315 = ± 0.007"					.020 - .315 = ± 0.007"					.020 - .315 = ± 0.007"										
.315 - 1.180 = ± 0.015"					.315 - 1.180 = ± 0.015"					.315 - 1.180 = ± 0.015"										
1.180 - 4.724 = ± 0.020"					1.180 - 4.724 = ± 0.020"					1.180 - 4.724 = ± 0.020"										
DO NOT SCALE DRAWING					DO NOT SCALE DRAWING					DO NOT SCALE DRAWING										
APPROVALS			DATE			CAD FILE			DWG. NO.			REV. NC			SIZE A			SCALE NA		
DRAWN G.R.S.			11/02/05			C:/112/112210.DWG			112210.DWG											
PART DESCRIPTION					PART NO.					PART NO.					PART NO.					
BNC BULKHEAD CRIMP JACK (FOR RG58/U, 141/U CABLE)					112210					112210					112210					
Amphenol Connex																				

X-ON Electronics

Largest Supplier of Electrical and Electronic Components

Click to view similar products for [RF Connectors / Coaxial Connectors](#) category:

Click to view products by [Amphenol](#) manufacturer:

Other Similar products are found below :

[8915-1511-000](#) [89674-0827](#) [6001-7071-019](#) [6002-7051-003](#) [6002-7551-202](#) [6059674-1](#) [619550-1](#) [630059-000](#) [M39030/3-01N](#) [M3933/25-36N](#) [6500-7071-046](#) [6769](#) [CX050L2AQ](#) [7002-1542-011](#) [7004-1512-000](#) [7009-1511-004](#) [7010-1511-000](#) [7029-1511-060](#) [7101-1541-010](#) [7101-1571-002](#) [7105-1521-002](#) [7145-1521-002](#) [7203-1571-003](#) [7209-1511-011](#) [7210-1511-015](#) [7210-1511-019](#) [73137-5015](#) [73216-2241](#) [7325-1512-000](#) [73404-2300](#) [7405-1521-005](#) [7405-1521-802](#) [7406-1521-005](#) [8527](#) [8547](#) [FS11V](#) [8808-1511-001](#) [9049-9513-000](#) [9074-9513-000](#) [9101-9573-002](#) [910A205F](#) [9130-9573-002](#) [PL11SC-026](#) [PL375-33](#) [PL40-5](#) [PL71-9](#) [PL74C-221](#) [PL75MC-217](#) [PL803-7](#) [980-8666-005](#)