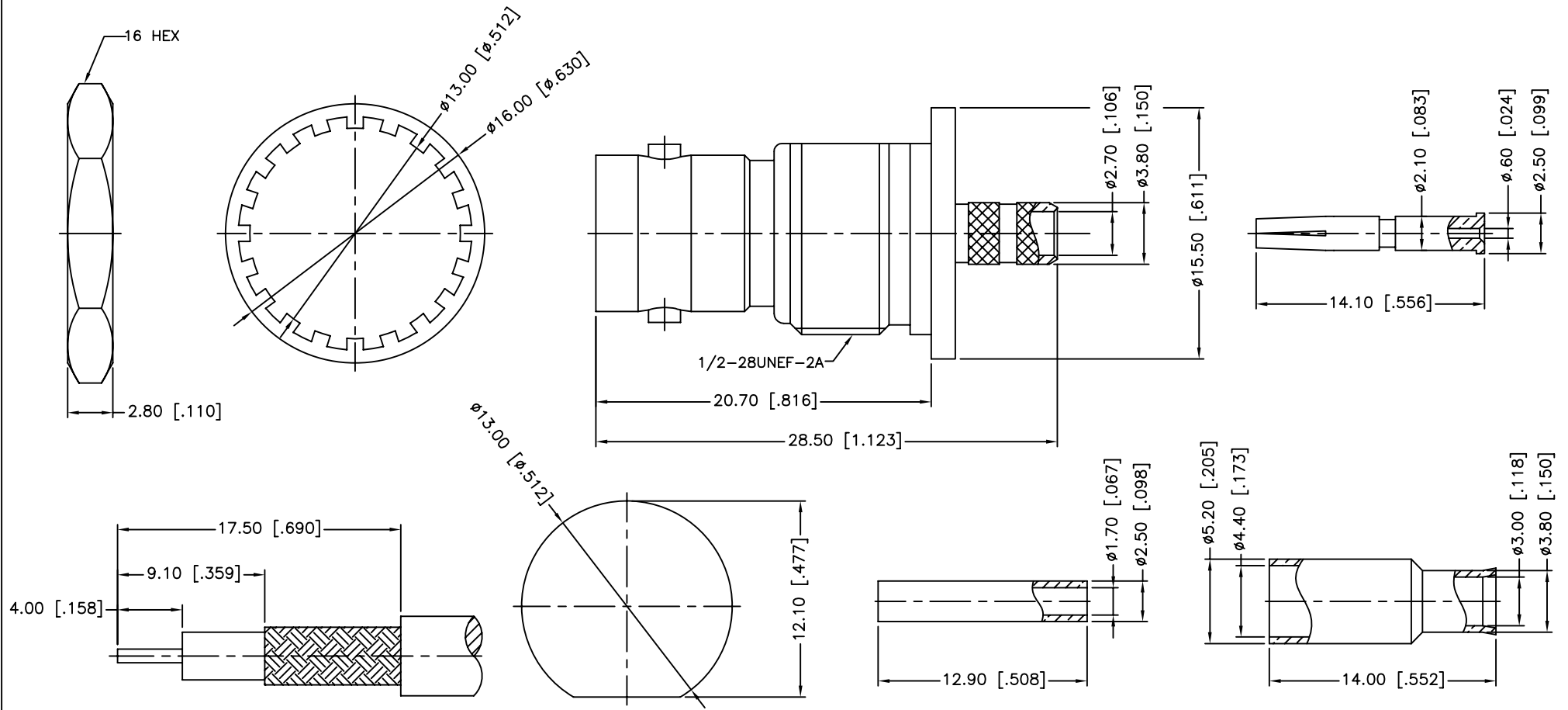


| REV. | DATE | ECR NO. | DESCRIPTION |
|------|----------|---------|-----------------------|
| A | 02/10/10 | XXXXXX | UPDATE DRAWING FORMAT |



RECOMMENDED
CABLE STRIPPING DIM'S

RECOMMENDED
MOUNTING HOLE

- NOTES:
 1. CRIMPED FERRULE
 HEX CRIMP SIZE .178"
 2. CRIMPED CONTACT PIN,
 HEX CRIMP SIZE .068"

| | | | | |
|----|-------------|-----------------|---------|-----|
| 10 | FERRULE | COPPER | NICKEL | 1 |
| 9 | SLEEVE | DELTRIN | NATURAL | 1 |
| 8 | CONTACT PIN | PHOSPHOR BRONZE | GOLD | 1 |
| 7 | HEX NUT | BRASS | NICKEL | 1 |
| 6 | LOCK WASHER | BRASS | NICKEL | 1 |
| 5 | BARREL | BRASS | NICKEL | 1 |
| 4 | INSULATOR | DELTRIN | NATURAL | 1 |
| 3 | INSULATOR | PTFE | NATURAL | 1 |
| 2 | BODY | BRASS | NICKEL | 1 |
| 1 | HOUSING | BRASS | NICKEL | 1 |
| | DESCRIPTION | MATERIAL | FINISH | QTY |

UNLESS OTHERWISE SPECIFIED DIMENSIONS ARE IN MILLIMETERS. DIMENSIONS IN [] ARE IN INCHES AND FOR CUSTOMER REFERENCE ONLY.

UNLESS OTHERWISE SPECIFIED TOLERANCES FOR MILLIMETERS ARE:
 0.5 - 8mm ± 0.20mm
 8 - 30mm ± 0.40mm
 30 - 120mm ± 0.50mm

UNLESS OTHERWISE SPECIFIED TOLERANCES FOR INCHES ARE:
 .020 - .315 = ± 0.007"
 .315 - 1.180 = ± 0.015"
 1.180 - 4.724 = ± 0.020"

DO NOT SCALE DRAWING

| APPROVALS | DATE |
|--------------|----------------------|
| DRAWN TANGOR | 02/10/10 |
| CHECKED | |
| ISSUED | |
| SHEET 1 OF 1 | |
| CAD FILE | C:/CONNEX/112252.DWG |

Amphenol Connex

PART DESCRIPTION
**BNC BULKHEAD ISOLATED CRIMP JACK
 (FOR RG-174/U,188A/U,316/U)**

PART NO.
112252

| | | | | | | | |
|----------|------------|------|---|------|---|-------|----|
| DWG. NO. | 112252.DWG | REV. | A | SIZE | A | SCALE | NA |
|----------|------------|------|---|------|---|-------|----|

X-ON Electronics

Largest Supplier of Electrical and Electronic Components

Click to view similar products for [RF Connectors / Coaxial Connectors](#) category:

Click to view products by [Amphenol](#) manufacturer:

Other Similar products are found below :

[8915-1511-000](#) [89674-0827](#) [6001-7071-019](#) [6002-7051-003](#) [6002-7551-202](#) [6059674-1](#) [619550-1](#) [630059-000](#) [M39030/3-01N](#) [M3933/25-36N](#) [6500-7071-046](#) [6769](#) [CX050L2AQ](#) [7002-1542-011](#) [7004-1512-000](#) [7009-1511-004](#) [7010-1511-000](#) [7029-1511-060](#) [7101-1541-010](#) [7101-1571-002](#) [7105-1521-002](#) [7145-1521-002](#) [7203-1571-003](#) [7209-1511-011](#) [7210-1511-015](#) [7210-1511-019](#) [73137-5015](#) [73216-2241](#) [7325-1512-000](#) [73404-2300](#) [7405-1521-005](#) [7405-1521-802](#) [7406-1521-005](#) [8527](#) [8547](#) [FS11V](#) [8808-1511-001](#) [9049-9513-000](#) [9074-9513-000](#) [9101-9573-002](#) [910A205F](#) [9130-9573-002](#) [PL11SC-026](#) [PL375-33](#) [PL40-5](#) [PL71-9](#) [PL74C-221](#) [PL75MC-217](#) [PL803-7](#) [980-8666-005](#)