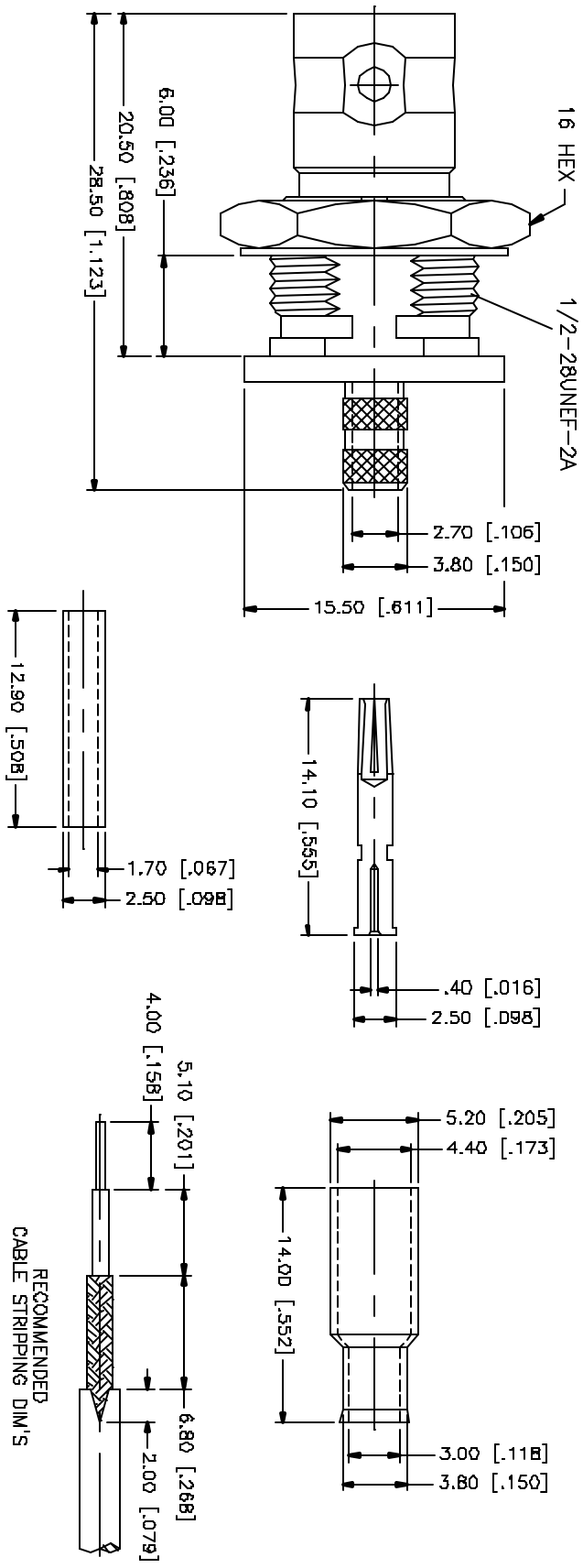
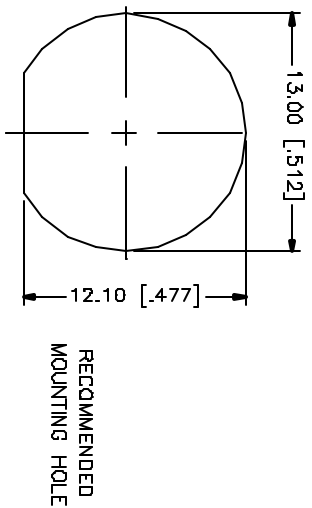


REV.	DATE	DESCRIPTION
A	03/08/05	UPDATE DRAWING FORMAT



DESCRIPTION	MATERIAL	FINISH	QTY	UNLESS OTHERWISE SPECIFIED DIMENSIONS ARE IN MILLIMETERS (PARENTS IN [] ARE IN INCHES AND FOR DATUMS RECOMMEND ONLY.)	APPROVALS	DATE	PART DESCRIPTION
8							Amphenol Connex BNC BULKHEAD JACK (ISOLATED) (FOR RG-179 CABLE - 75ohm)
7							
6	FERRULE	COPPER	NICKEL	1			
5	HEX NUT	BRASS	NICKEL	1	UNLESS OTHERWISE SPECIFIED DIMENSIONS ARE IN MILLIMETERS (PARENTS IN [] ARE IN INCHES AND FOR DATUMS RECOMMEND ONLY.)		
4	LOCK WASHER	BRASS	NICKEL	1	UNLESS OTHERWISE SPECIFIED DIMENSIONS ARE IN MILLIMETERS (PARENTS IN [] ARE IN INCHES AND FOR DATUMS RECOMMEND ONLY.)		
3	CONTACT PIN	PHOS. BRONZE	GOLD	1	UNLESS OTHERWISE SPECIFIED DIMENSIONS ARE IN MILLIMETERS (PARENTS IN [] ARE IN INCHES AND FOR DATUMS RECOMMEND ONLY.)		
2	INSULATOR	TEFLON	NATURAL	1	UNLESS OTHERWISE SPECIFIED DIMENSIONS ARE IN MILLIMETERS (PARENTS IN [] ARE IN INCHES AND FOR DATUMS RECOMMEND ONLY.)		
1	BODY	DIE CAST	NICKEL	1	UNLESS OTHERWISE SPECIFIED DIMENSIONS ARE IN MILLIMETERS (PARENTS IN [] ARE IN INCHES AND FOR DATUMS RECOMMEND ONLY.)		
DESCRIPTION							
MATERIAL							
FINISH							
QTY							
DD NOT SCALE DRAWING							
DRAWN G.R.S.							
CHECKED							
ASSEMBLED							
SHEET 1 OF 1							
PART NO. 112253							
DWRG NO. 112253.DWG							
REV. A							
SIZE A							
SCALE NA							

X-ON Electronics

Largest Supplier of Electrical and Electronic Components

Click to view similar products for [RF Connectors / Coaxial Connectors](#) category:

Click to view products by [Amphenol](#) manufacturer:

Other Similar products are found below :

[8915-1511-000](#) [89674-0827](#) [6001-7071-019](#) [6002-7051-003](#) [6002-7551-202](#) [6059674-1](#) [619550-1](#) [630059-000](#) [M39030/3-01N](#) [6500-7071-046](#) [6769](#) [CX050L2AQ](#) [7002-1542-011](#) [7004-1512-000](#) [7009-1511-004](#) [7010-1511-000](#) [7029-1511-060](#) [7101-1541-010](#) [7101-1571-002](#) [7105-1521-002](#) [7145-1521-002](#) [7203-1571-003](#) [7209-1511-011](#) [7210-1511-015](#) [7210-1511-019](#) [73137-5015](#) [73216-2241](#) [7325-1512-000](#) [73404-2300](#) [7405-1521-005](#) [7405-1521-802](#) [7406-1521-005](#) [8527](#) [8547](#) [FS11V](#) [8808-1511-001](#) [9049-9513-000](#) [9074-9513-000](#) [9101-9573-002](#) [910A205F](#) [9130-9573-002](#) [PL11SC-026](#) [PL375-33](#) [PL40-5](#) [PL71-9](#) [PL74C-221](#) [PL75MC-217](#) [PL803-7](#) [980-8666-005](#) [1200690078](#)