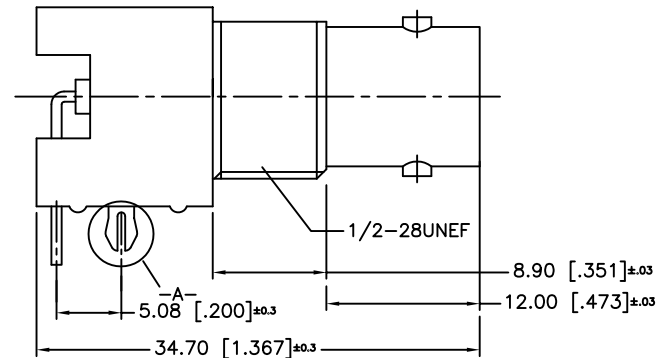
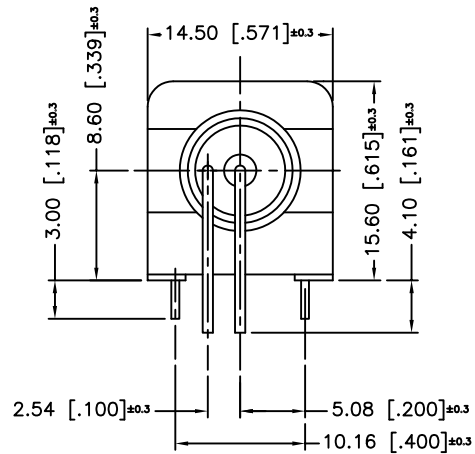
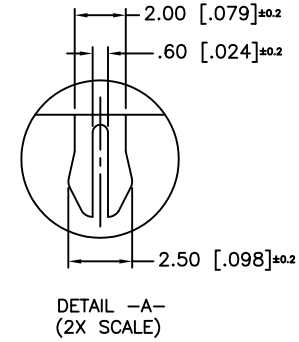
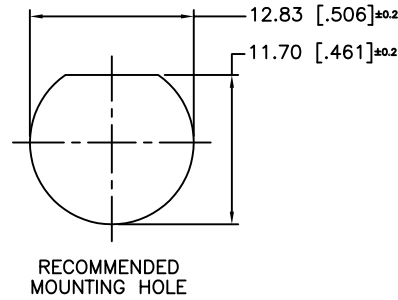
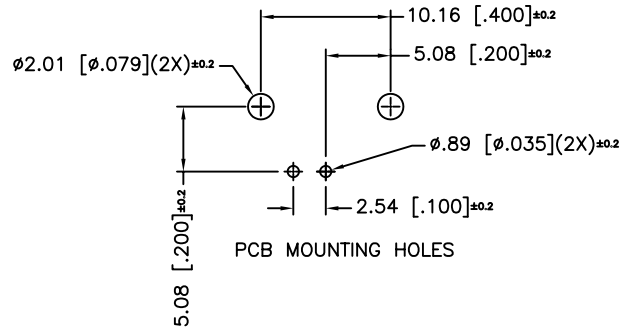


REV.	DATE	ECR NO	DESCRIPTION
A	02/12/04	--	UPDATE DRAWING FORMAT/ MODIFY BODY
(B)	06/28/07	--	REVISE BACK HOUSING SHOWING BACK CONTACT PINS CAPTIVATED
C	02/02/10	2012	HARDWARES REMOVED



NOTE:

1. MAX. PANEL THICKNESS = 5mm

DESCRIPTION	MATERIAL	FINISH	QTY	UNLESS OTHERWISE SPECIFIED DIMENSIONS ARE IN MILLIMETERS. DIMENSIONS IN [] ARE IN INCHES AND FOR CUSTOMER REFERENCE ONLY.	APPROVALS	DATE	Amphenol Connex					
5	MOUNTING POST	BRASS	TIN PLATE	1	UNLESS OTHERWISE SPECIFIED TOLERANCES FOR MILLIMETERS ARE: 0.5 - 8mm ± 0.20mm 8 - 30mm ± 0.40mm 30 - 120mm ± 0.50mm UNLESS OTHERWISE SPECIFIED TOLERANCES FOR INCHES ARE: .020 - .315 = ± 0.007" .315 - 1.180 = ± 0.015" 1.180 - 4.724 = ± 0.020" DO NOT SCALE DRAWING	DRAWN	CLEMENT	02/02/10	PART DESCRIPTION BNC R/A PC MOUNT RECEPT. JACK			
4	CONTACT PIN	PHOS. BRONZE	GOLD	1		CHECKED		PART NO. 112413				
3	INSULATOR	P.P.	NATURAL	1		ISSUED						DWG. NO. 112413.DWG REV. C SIZE A SCALE NA
2	BODY	ZINC DIE CAST	NICKEL	1		SHEET	1 OF 1	CAD FILE C:/112/112413.DWG				
1	HOUSING	P.B.T.	WHITE	1								

X-ON Electronics

Largest Supplier of Electrical and Electronic Components

Click to view similar products for [RF Connectors / Coaxial Connectors](#) category:

Click to view products by [Amphenol](#) manufacturer:

Other Similar products are found below :

[8915-1511-000](#) [89674-0827](#) [6001-7071-019](#) [6002-7051-003](#) [6002-7551-202](#) [6059674-1](#) [619550-1](#) [630059-000](#) [M39030/3-01N](#) [M3933/25-36N](#) [6500-7071-046](#) [6769](#) [CX050L2AQ](#) [7002-1542-011](#) [7004-1512-000](#) [7009-1511-004](#) [7010-1511-000](#) [7029-1511-060](#) [7101-1541-010](#) [7101-1571-002](#) [7105-1521-002](#) [7145-1521-002](#) [7203-1571-003](#) [7209-1511-011](#) [7210-1511-015](#) [7210-1511-019](#) [73137-5015](#) [73216-2241](#) [7325-1512-000](#) [73404-2300](#) [7405-1521-005](#) [7405-1521-802](#) [7406-1521-005](#) [8527](#) [8547](#) [FS11V](#) [8808-1511-001](#) [9049-9513-000](#) [9074-9513-000](#) [9101-9573-002](#) [910A205F](#) [9130-9573-002](#) [PL11SC-026](#) [PL375-33](#) [PL40-5](#) [PL71-9](#) [PL74C-221](#) [PL75MC-217](#) [PL803-7](#) [980-8666-005](#)