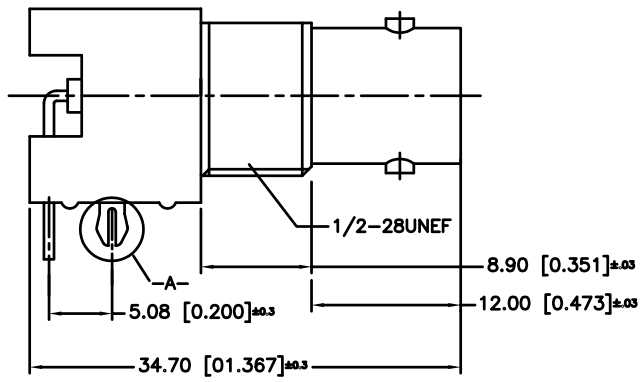
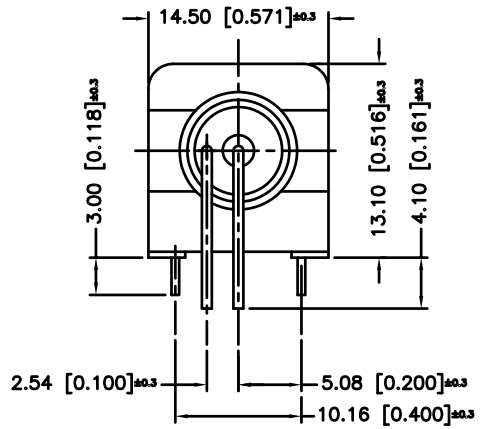
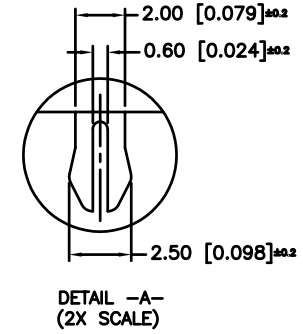
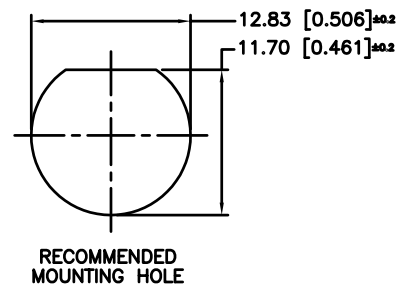
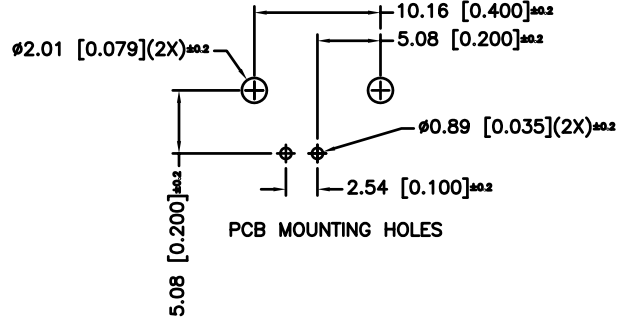


REV.	DATE	ECR.NO	DESCRIPTION
A	02/12/04	---	UPDATE DRAWING FORMAT/ MODIFY BODY
B	07/28/06	---	REVISE BODY HEIGHT TO 13.10
C	06/28/07	---	REVISE BACK HOUSING SHOWING BACK CONTACT PINS CAPTIVATED
D	09/27/10	2012	HARDWARES REMOVED



NOTE:
1. MAX. PANEL THICKNESS = 5mm [0.197]

DESCRIPTION	MATERIAL	FINISH	QTY
5 MOUNTING POST	BRASS	TIN PLATE	1
4 CONTACT PIN	PHOS. BRONZE	GOLD	1
3 INSULATOR	P.P.	NATURAL	1
2 BODY	ZINC DIE CAST	NICKEL	1
1 HOUSING	P.B.T.	WHITE	1

UNLESS OTHERWISE SPECIFIED DIMENSIONS ARE IN MILLIMETERS. DIMENSIONS IN [] ARE IN INCHES AND FOR CUSTOMER REFERENCE ONLY.

UNLESS OTHERWISE SPECIFIED TOLERANCES FOR MILLIMETERS ARE:
0.5 - 8mm ± 0.20mm
8 - 30mm ± 0.40mm
30 - 120mm ± 0.50mm

UNLESS OTHERWISE SPECIFIED TOLERANCES FOR INCHES ARE:
.020 - .315 = ± 0.007"
.315 - 1.180 = ± 0.015"
1.180 - 4.724 = ± 0.020"

DO NOT SCALE DRAWING

APPROVALS	DATE
DRAWN G.R.S.	02/12/04
CHECKED	
ISSUED	
SHEET 1 OF 1	
CAD FILE	C:/112/112419.DWG

Amphenol Connex

PART DESCRIPTION

BNC R/A PC MOUNT RECEPT. JACK

PART NO.

112419

DWG. NO.	112419.DWG	REV.	D	SIZE	A	SCALE	NA
----------	------------	------	---	------	---	-------	----

X-ON Electronics

Largest Supplier of Electrical and Electronic Components

Click to view similar products for [RF Connectors / Coaxial Connectors](#) category:

Click to view products by [Amphenol](#) manufacturer:

Other Similar products are found below :

[8915-1511-000](#) [89674-0827](#) [6001-7071-019](#) [6002-7051-003](#) [6002-7551-202](#) [6059674-1](#) [619550-1](#) [630059-000](#) [M39030/3-01N](#) [M3933/25-36N](#) [6500-7071-046](#) [6769](#) [CX050L2AQ](#) [7002-1542-011](#) [7004-1512-000](#) [7009-1511-004](#) [7010-1511-000](#) [7029-1511-060](#) [7101-1541-010](#) [7101-1571-002](#) [7105-1521-002](#) [7145-1521-002](#) [7203-1571-003](#) [7209-1511-011](#) [7210-1511-015](#) [7210-1511-019](#) [73137-5015](#) [73216-2241](#) [7325-1512-000](#) [73404-2300](#) [7405-1521-005](#) [7405-1521-802](#) [7406-1521-005](#) [8527](#) [8547](#) [FS11V](#) [8808-1511-001](#) [9049-9513-000](#) [9074-9513-000](#) [9101-9573-002](#) [910A205F](#) [9130-9573-002](#) [PL11SC-026](#) [PL375-33](#) [PL40-5](#) [PL71-9](#) [PL74C-221](#) [PL75MC-217](#) [PL803-7](#) [980-8666-005](#)