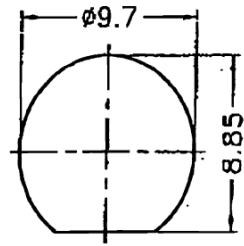


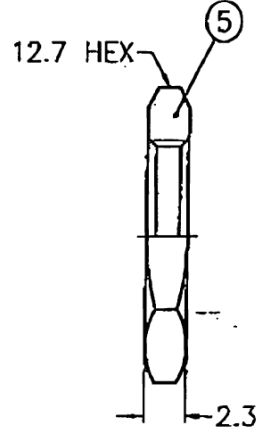
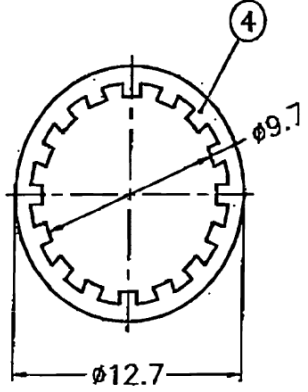
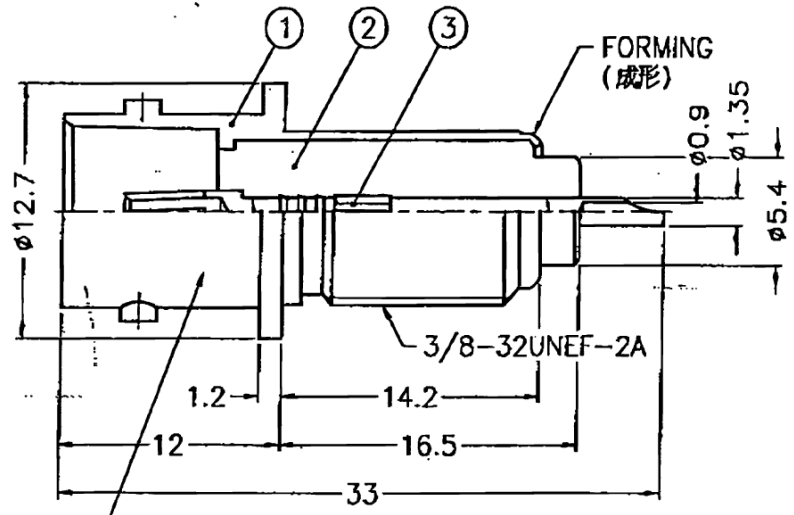
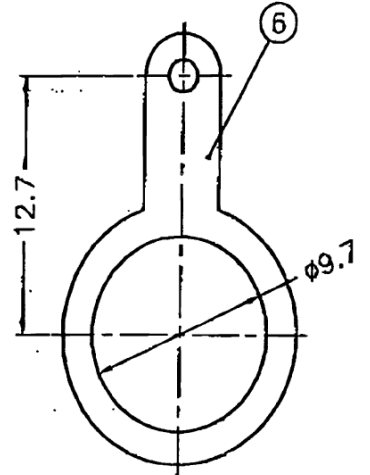
SALES

10 Sep. 2002 18:25

REVISIONS		
ISS	ZONE	DESCRIPTION\PER REQUEST\DATE



RECOMMENDED MOUNTING HOLE
(建議深設孔)



STAMP (IF ANY)
噴字 (若有要求)

- NOTES: FINISH (PLATING THICKNESS IN MICRO-INCHES)
- BRASS PER QQ-B-526
 - BRASS PER QQ-B-613
 - NICKEL PL. 100 MIN. THICK OVER COPPER STRIKE
 - GOLD PL. 3 MIN. THICK OVER NICKEL PL. 100 MIN. THICK OVER COPPER STRIKE
 - PHOSPHOR BRONZE PER QQ-B-750
 - TEFLON MIL-P-19468



1. MAX. PANEL THICKNESS=9mm

DIMENSIONS ARE IN MILLIMETERS						PART NO. 112429		TITLE	
6	SOLDER TAG	NOTE 2	NOTE 3	1	B7310-7	UNLESS OTHERWISE SPECIFIED TOLERANCES 0.5-6 = ±0.2 6-30 = ±0.4 30-120 = ±0.6 120-315 = ±1 315-1000 = ±1.6 1000-2000 = ±2.4	APPROVED	DATE	BNC BULKHEAD RECEPT. JACK
5	HEX NUT	NOTE 1	NOTE 3	1	HN127-3/8-32 X23		Carl. J	03-14-02	DRAWING NO.
4	LOCK WASHER	NOTE 2	NOTE 3	1	LW-127/97X05		DATE	03-14-02	KJ-B6351B3-NT3G-75
3	CONTACT PIN	NOTE 5	NOTE 4	1	B7312-3-75		DRAWN	DATE	016351AAL01NA7F
2	INSULATOR	NOTE 6	NATURAL	1	B7312-2T-75		Carl. J	03-14-02	
1	BODY	NOTE 1	NOTE 3	1	B7312-1				
NO. DESCRIPTION MATERIAL FINISH Q'TY DRAWING NO.						SCALE 2.5/1	ISSUE	A	FILE NO. F:\DWG\B\6351B3\75\NT3G

AMPHENOL CONNEX

RD-DR 1/005 8

X-ON Electronics

Largest Supplier of Electrical and Electronic Components

Click to view similar products for [RF Connectors / Coaxial Connectors](#) category:

Click to view products by [Amphenol](#) manufacturer:

Other Similar products are found below :

[8915-1511-000](#) [89674-0827](#) [6001-7071-019](#) [6002-7051-003](#) [6002-7551-202](#) [6059674-1](#) [619550-1](#) [630059-000](#) [M39030/3-01N](#) [M3933/25-36N](#) [6500-7071-046](#) [6769](#) [CX050L2AQ](#) [7002-1542-011](#) [7004-1512-000](#) [7009-1511-004](#) [7010-1511-000](#) [7029-1511-060](#) [7101-1541-010](#) [7101-1571-002](#) [7105-1521-002](#) [7145-1521-002](#) [7203-1571-003](#) [7209-1511-011](#) [7210-1511-015](#) [7210-1511-019](#) [73137-5015](#) [73216-2241](#) [7325-1512-000](#) [73404-2300](#) [7405-1521-005](#) [7405-1521-802](#) [7406-1521-005](#) [8527](#) [8547](#) [FS11V](#) [8808-1511-001](#) [9049-9513-000](#) [9074-9513-000](#) [9101-9573-002](#) [910A205F](#) [9130-9573-002](#) [PL11SC-026](#) [PL375-33](#) [PL40-5](#) [PL71-9](#) [PL74C-221](#) [PL75MC-217](#) [PL803-7](#) [980-8666-005](#)