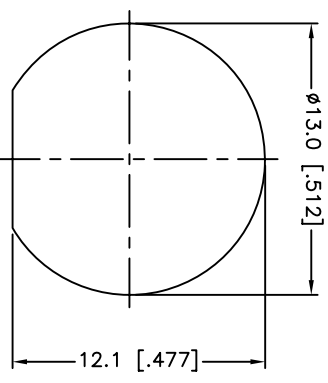
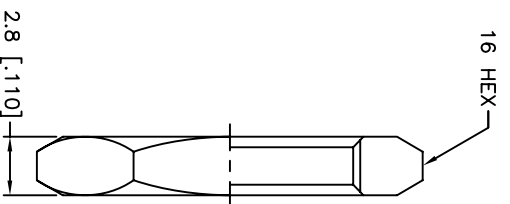
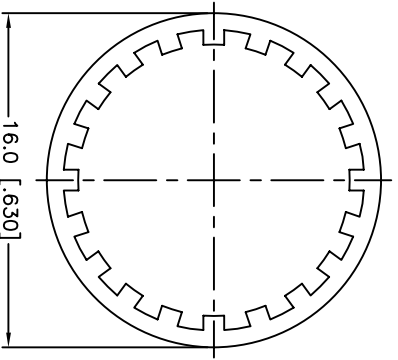
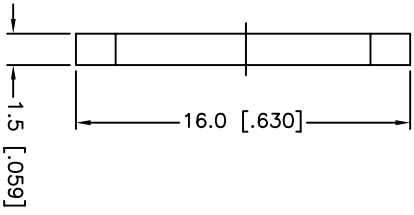
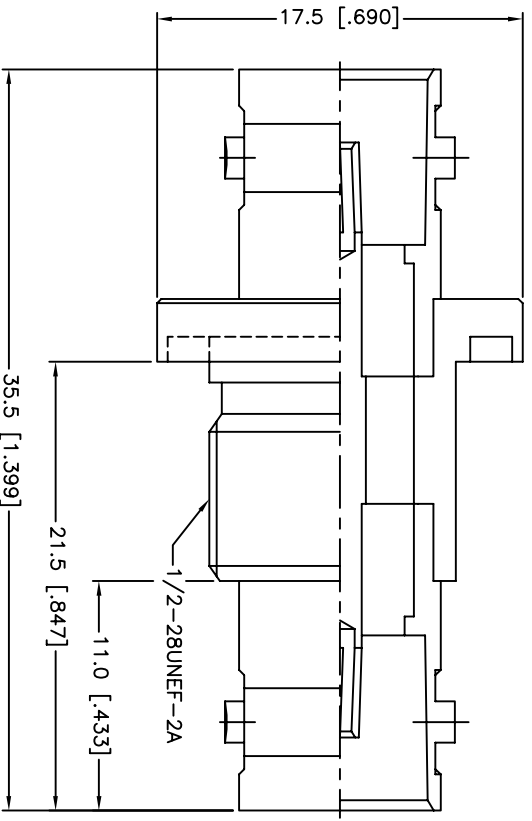


| REV. | DATE     | ECR NO. | DESCRIPTION     |
|------|----------|---------|-----------------|
| NC   | 10/12/09 | XXXXXX  | INITIAL RELEASE |



RECOMMENDED  
MOUNTING HOLE

| DESCRIPTION   | MATERIAL        | FINISH  | QTY |
|---------------|-----------------|---------|-----|
| 7 HEX NUT     | BRASS           | NICKEL  | 1   |
| 6 LOCK WASHER | BRASS           | NICKEL  | 1   |
| 5 GASKET      | RUBBER          | RED     | 1   |
| 4 CONTACT PIN | PHOSPHOR BRONZE | GOLD    | 1   |
| 3 INSULATOR   | DELFIN          | NATURAL | 1   |
| 2 BODY        | BRASS           | NICKEL  | 1   |
| 1 HOUSING     | BRASS           | NICKEL  | 1   |

UNLESS OTHERWISE SPECIFIED, DIMENSIONS ARE IN INCHES AND FOR CUSTOMER REFERENCE ONLY.  
TOLERANCES FOR MILLIMETERS ARE:  
UNLESS OTHERWISE SPECIFIED  
0.5 - 8mm ± 0.20mm  
8 - 30mm ± 0.40mm  
30 - 120mm ± 0.50mm  
TOLERANCES FOR INCHES ARE:  
UNLESS OTHERWISE SPECIFIED  
.020 - .315 = ± 0.007"  
.315 - 1.180 = ± 0.015"  
1.180 - 4.724 = ± 0.020"

| APPROVALS    | DATE     |
|--------------|----------|
| DRAWN Tangor | 10/12/09 |
| CHECKED      |          |
| ISSUED       |          |
| SHEET 1 OF 1 |          |

**Amphenol Connex**

PART DESCRIPTION  
**BNC FEMALE TO FEMALE BULKHEAD ADAPTOR**

PART NO. 112436

DWG. NO. 112436.DWG

REV. NC SIZE A SCALE NA

CAD FILE C:/CONNEX/112436.DWG

DO NOT SCALE DRAWING

## X-ON Electronics

Largest Supplier of Electrical and Electronic Components

*Click to view similar products for [RF Adapters - In Series category:](#)*

*Click to view products by [Amphenol manufacturer:](#)*

Other Similar products are found below :

[5916-1103-603](#) [5918-1103-000](#) [5919-1503-000](#) [651A505](#) [82-5552](#) [9030-9523-502](#) [A0407000](#) [R114703000W](#) [R125704000](#) [R125771001](#)  
[R141710000W](#) [R141723161](#) [R141730000](#) [R143730700](#) [R143770000](#) [R161703000W](#) [R161730000](#) [R161753000W](#) [R161791530W](#)  
[R201705000](#) [R222705200](#) [R222M40010W](#) [R223703180](#) [R316754000](#) [R405006000](#) [R443162000](#) [AD78TL](#) [HRM-513S](#) [1996352-2](#)  
[2157155-1](#) [252169-75](#) [AD158](#) [2101130-1](#) [252186](#) [R114704000W](#) [R114720000W](#) [R125705001](#) [R125705701](#) [R125771000](#) [R125771001W](#)  
[R125791501W](#) [R127704001](#) [R127.870.001](#) [R127872001](#) [R141717000](#) [R142710000](#) [R142723000](#) [R143703000](#) [R143704000](#) [R143705700](#)