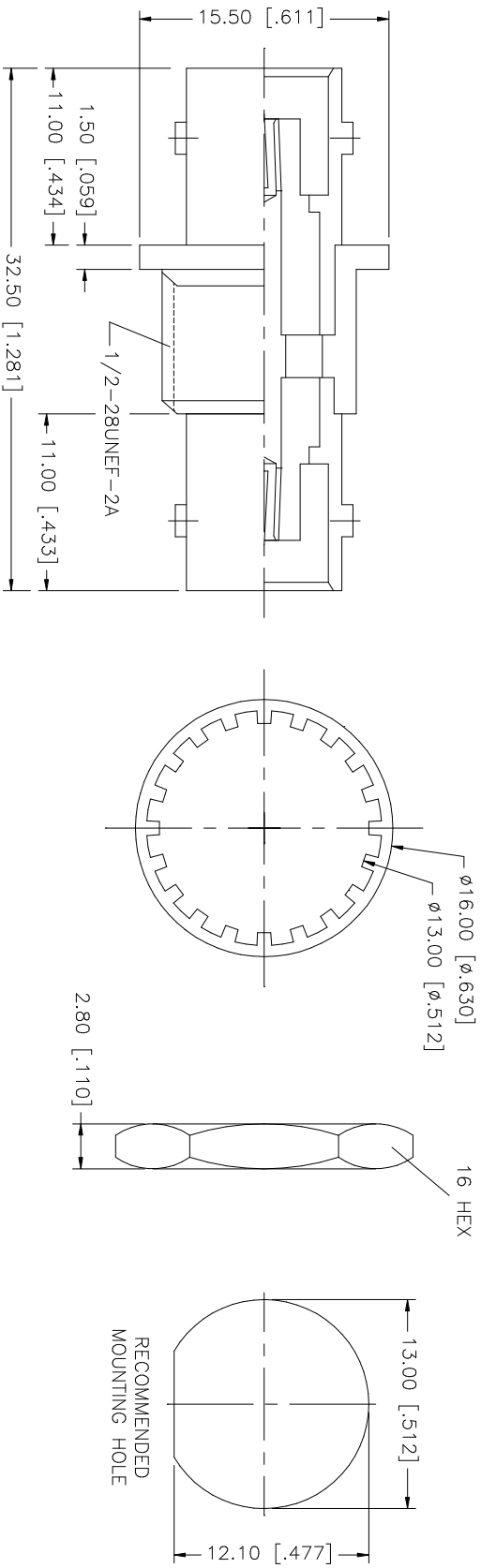


REV.	DATE	DESCRIPTION
NC	01/22/04	INITIAL RELEASE



NO.	DESCRIPTION	MATERIAL	FINISH	QTY	UNLESS OTHERWISE SPECIFIED DIMENSIONS ARE IN INCHES AND FOR CUSTOMER REFERENCE ONLY. TOLERANCES FOR MILLIMETERS ARE:	UNLESS OTHERWISE SPECIFIED DIMENSIONS ARE IN INCHES AND FOR CUSTOMER REFERENCE ONLY. TOLERANCES FOR MILLIMETERS ARE:	APPROVALS	DATE	PART DESCRIPTION
8					0.5 - 8mm \pm 0.20mm	0.020 - .315 = \pm 0.007"	DRAWN	01/22/04	<p>Amphenol Connex</p> <p>PART DESCRIPTION</p> <p>BNC FEMALE TO FEMALE BULKHEAD ADAPTER (75ohm)</p> <p>PART NO. 112438</p>
7					8 - 30mm \pm 0.40mm	.315 - 1.180 = \pm 0.015"	G.R.S.		
6	HEX NUT	BRASS	NICKEL	1	30 - 120mm \pm 0.50mm	1.180 - 4.724 = \pm 0.020"	CHECKED		
5	LOCK WASHER	BRASS	NICKEL	1			ISSUED		
4	CONTACT PIN	PHOS. BRONZE	GOLD	1			SHEET 1 OF 1		
3	INSULATOR	DELRIN	NATURAL	1					
2	INSULATOR	DELRIN	NATURAL	1					
1	BODY	BRASS	NICKEL	1					
	DESCRIPTION	MATERIAL	FINISH	QTY					
					DO NOT SCALE DRAWING		CAD FILE		
							C:/112/112438.DWG		
							DWG. NO.		
							112438.DWG		
							REV.		
							NC		
							SIZE		
							A		
							SCALE		
							NA		

X-ON Electronics

Largest Supplier of Electrical and Electronic Components

Click to view similar products for [RF Adapters - In Series](#) category:

Click to view products by [Amphenol](#) manufacturer:

Other Similar products are found below :

[5916-1103-603](#) [5918-1103-000](#) [5919-1503-000](#) [651A505](#) [82-5552](#) [9030-9523-502](#) [A0407000](#) [R114703000W](#) [R125704000](#) [R125771001](#)
[R141710000W](#) [R141723161](#) [R141730000](#) [R143730700](#) [R143770000](#) [R161703000W](#) [R161730000](#) [R161753000W](#) [R161791530W](#)
[R201705000](#) [R222705200](#) [R222M40010W](#) [R223703180](#) [R316754000](#) [R405006000](#) [R443162000](#) [AD78TL](#) [HRM-513S](#) [1996352-2](#)
[2157155-1](#) [252169-75](#) [AD158](#) [2101130-1](#) [252186](#) [R114704000W](#) [R114720000W](#) [R125705001](#) [R125705701](#) [R125771000](#) [R125771001W](#)
[R125791501W](#) [R127704001](#) [R127.870.001](#) [R127872001](#) [R141717000](#) [R142710000](#) [R142723000](#) [R143703000](#) [R143704000](#) [R143705700](#)